



Rock Series

PunkRock™, Rocky III, Econorock™, Rocquette™, Pavarocci™, SoundStone™, TuneStone™, Rocky Too, OctoRock™, Rocky JR, StoneHenge, Hillside™, Rockolyth™



Installation Instructions

Please read the following instructions carefully before installing your Rockustics Rock Series speaker. If you have any questions regarding installation that are not answered in the following directions, please contact your local sound contractor or the Rockustics Service Department. Contact information can be found below.

Warning: Rockustic Speakers may be heavy, please use caution when lifting or handling.

Our manufacturing process leaves an excess of color pigment on the speaker. This will wash off with the first rain. Pigment may be removed from skin and clothing with normal washing, however, care should be taken with clothing.

Optimizing Speaker Placement for Best Sound

All Rockustics speakers can generate a high SPL (sound pressure level). Please be considerate of your neighbors. Maximum acoustic performance should be an important factor in determining speaker placement. Here is how to achieve it:

- 1) Establish where the most likely or average listening position will be.
- 2) The speakers should be placed at or close to the same distance from that point.
- 3) The actual distance between the listening position and the location of the speakers is not critical. However, keep in mind that as the distance between listening area and speaker are increased, there will be a noticeable decrease in perceived volume.

Optimizing Aesthetics with Speaker Placement

All Rockustics products are designed with a boost in high frequency response to accommodate for placement behind plants and other obstructions. Feel free to position the product

within your landscaping, behind bushes or shrubs. Rockustics products strive to blend into the natural aesthetic of their surroundings.

Other Placement Considerations

- 1) When considering speaker placement be sure to account for the wires which will run from the product to your stereo or audio source. Be sure to keep in mind that walkways and patios may be difficult to get around.
- 2) All Rockustics Rock Series speakers are sealed and fully weatherproof. However, **DO NOT** place speakers where the drivers will be effected by a sprinkler system. Sprinklers typically have a high water pressure level that can damage speaker cones if hit directly.

Cautions

These are high quality outdoor speakers. **DO NOT** place soil or woodchips over the speaker grille. If the grilles accumulates a build up of soil, it may damage the speaker. If build up does occur, simply rinse the grille with a hose set to a low pressure level.

Accumulated soil may also cause insect traffic into the speaker. Insects may eat through the speaker surround. Chemical sprays may also cause damage to the rubber of the speaker surround. This includes bug spray, deck sealant, some fertilizers and oil based products. Speakers **MUST** be covered when applying these treatments or chemicals in your yard.

Maintenance

To insure that your Rockustics speaker provides years of listening enjoyment, we recommend gently rinsing the speaker grille periodically. Use a low pressure stream of water to remove any accumulated dirt or debris from the large speaker grille.



Rock Series

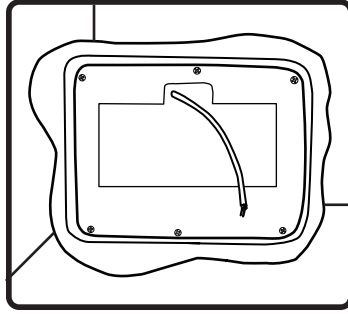
PunkRock™, Rocky III, Econorock™, Rocquette™, Pavarocci™, SoundStone, TuneStone™, Rocky Too, OctoRock™, Rocky JR, StoneHenge, Hillside™, Rockolyth™

Speaker Wiring: All Rock Series (exceptions see below)

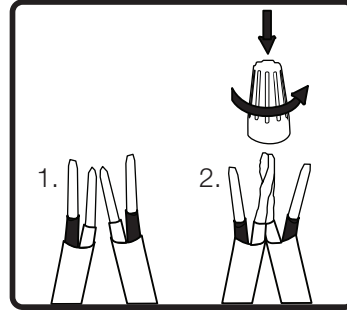


1. Unpack speaker from the box. Warning: Rock speakers may be heavy, please use caution when lifting or handling.

Notice: packing peanuts are bio-degradeable and can be used in compost.

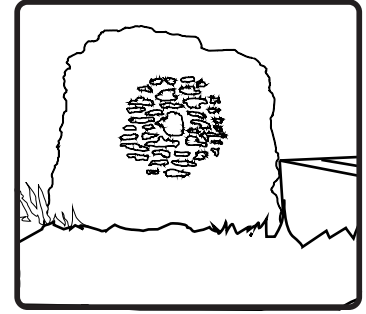


2. Locate speaker wire on the underside of the speaker. Strip wire ends if necessary.



3. Connect the speaker wire to the input signal wire. Red is positive, black is negative.

Use included wire nuts to secure the connection. Step 2 is required to secure the negative connection, and then the positive connection.

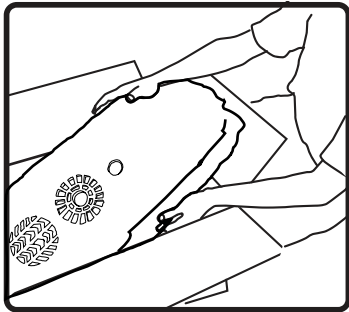


4. Done.

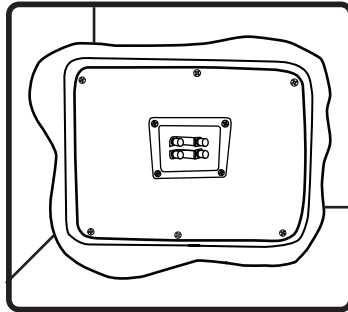
For information on speaker placement, refer to section titled "Optimizing Speaker Placement for Best Sound," located on page one.

For transformer wiring, see chart below.

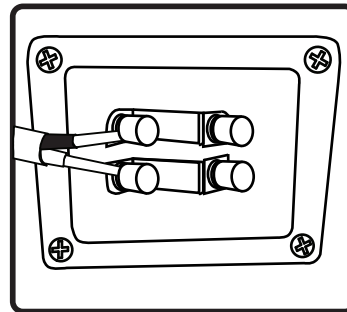
Speaker Wiring: Terminal Cup (Rockolyth)



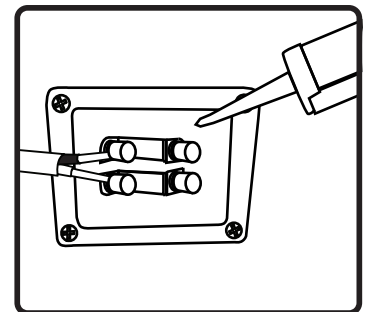
1. Unpack speaker from the box. Warning: Rock speakers may be heavy, please use caution when lifting or handling.



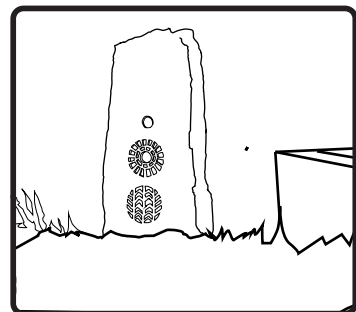
2. Locate terminal cup on the underside of the speaker.



3. Connect the speaker wire to the terminal cup. Red is positive, black is negative.



4. To seal the terminal cup for weatherproofing purposes, use a silicone gel and caulking gun. Be sure that wires are connected and speaker is functioning before sealing.



5. Done.

Optional Transformer Wiring

	64 W	120 W		15 W
Black-	GND	GND		Black- GND
Red-	64 W	120 W		Red- 5 W
Blue-	32 W	60 W		Blue- 10 W
Yellow-	16 W	30 W		Brown- 15 W
Orange-	8 W	15 W		
Brown-	4 W	7.5 W		

64W, 120W: 6 wire input

15W: 4 wire input

Once the proper wires are selected for the desired tap setting, clip or trim unused wires.