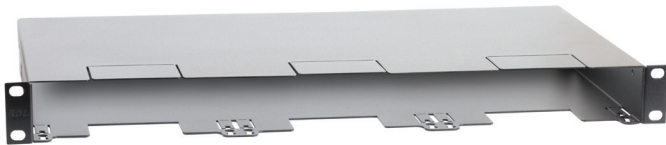


ACCESSORIES

Model RC-1UR

19" Universal Rack Chassis

The RC-1UR is a 1RU utility chassis for mounting RDL modules and accessories. The front and rear each feature three RACK-UP mounting bays. The mounting bays fit RACK-UP series products and AMS accessories (using AMS-RU4 adapters, available separately). The interior provides space to mount various STICK-ON and TX series modules.



Empty & Cover On



Empty & Cover Off



With Product Installed & Cover Off



With Product & Cover On

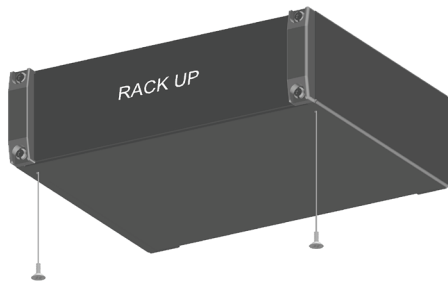
(RU-MX5ML, RU-SM16D and RU-SP1 available separately)

ACCESSORIES
Model RC-1UR
19" Universal Rack Chassis

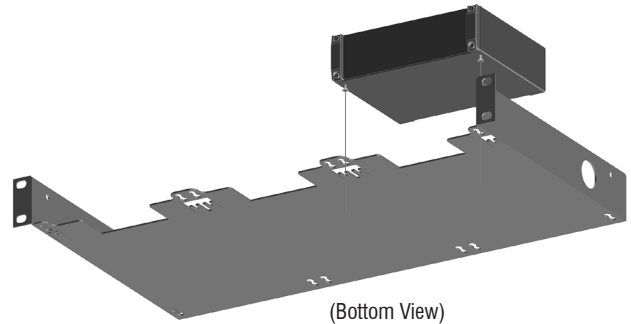
Installation/Operation



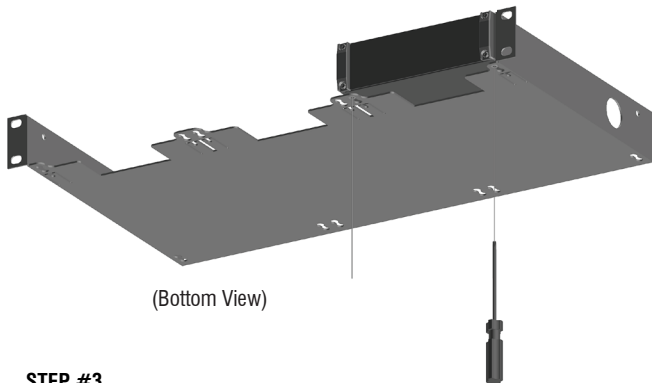
EN55103-1 E1-E5; EN55103-2 E1-E4
Typical Performance reflects product at publication time
exclusive of EMC data, if any, supplied with product.
Specifications are subject to change without notice.



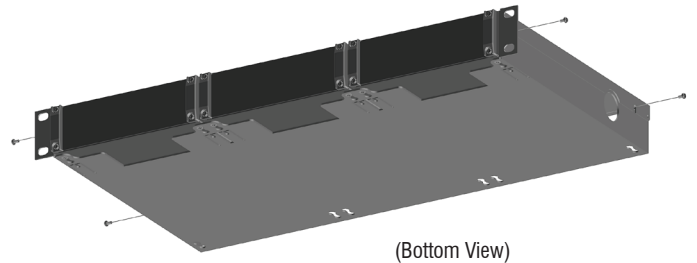
STEP #1
Start the screws into the bottom of the RACK-UP unit but do not install them all the way.



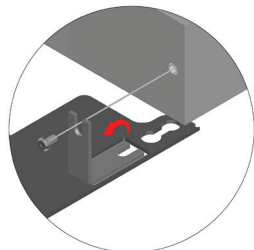
STEP #2
Place the RACK-UP unit onto the chassis. The screw heads will pass through the rear position in the cutout.



STEP #3
Slide the unit forward until the screws are seated in the forward position of the cutout. Tighten the screws to secure the unit in the chassis.



STEP #4
Install the top cover and secure with the four screws.



NOTE: When installing a RACK UP product that is in a plastic box start by removing the screws from the back of the RACK UP. Bend the tabs on the mounting unit up at a 90° angle. Secure the unit to the mounting chassis using the screws.