

ACCESSORIES

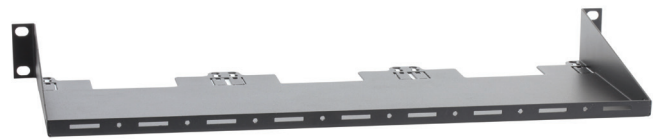
Model RU-RA3R

Rack adapter for RACK-UP series

The RU-RA3R rack mounts 3 RACK-UP modules in fixed or mobile installations. Metal RACK-UP series products drop into the chassis, slide into position and are secured by tightening two screws provided with the RACK-UP product or accessory.



Front



Rear



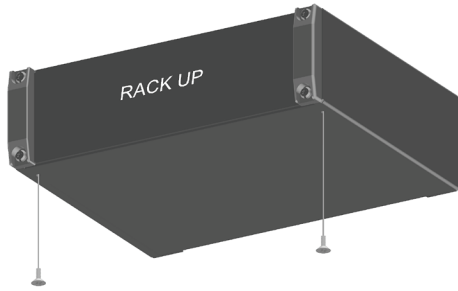
With Product Installed
(RU-MX5ML, RU-SM16A and RU-SP1 Available Separately)

ACCESSORIES
Model RU-RA3R
Rack adapter for RACK-UP series

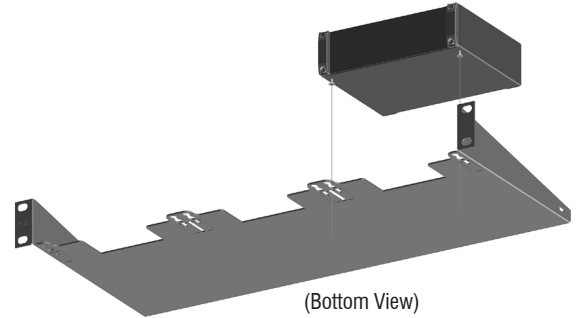
Installation/Operation



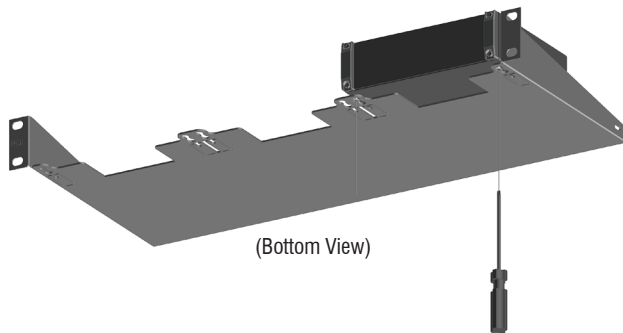
EN55103-1 E1-E5; EN55103-2 E1-E4
Typical Performance reflects product at publication time exclusive of EMC data, if any, supplied with product. Specifications are subject to change without notice.



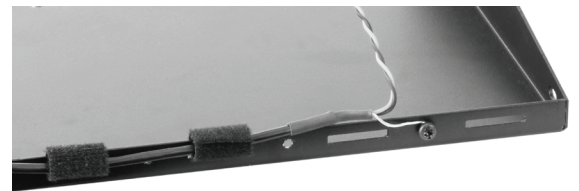
STEP #1
Start the screws into the bottom of the RACK-UP unit but do not install them all the way.



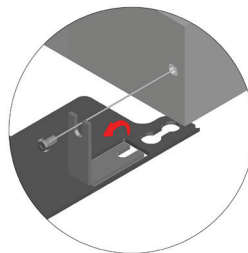
STEP #2
Place the RACK-UP unit onto the chassis. The screw heads will pass through the rear position in the cutout.



STEP #3
Slide the unit forward until the screws are seated in the forward position of the cutout. Tighten the screws to secure the unit in the chassis.



If desired use the rectangular cut outs in the chassis to secure wiring with hook and loop fastener or wire-ties. The small holes can be used for ground wire attachment.



NOTE: When installing a RACK UP product that is in a plastic box start by removing the screws from the back of the RACK UP. Bend the tabs on the mounting unit up at a 90° angle. Secure the unit to the mounting chassis using the screws.