



Scan for full manual

## VP-426C Quick Start Guide

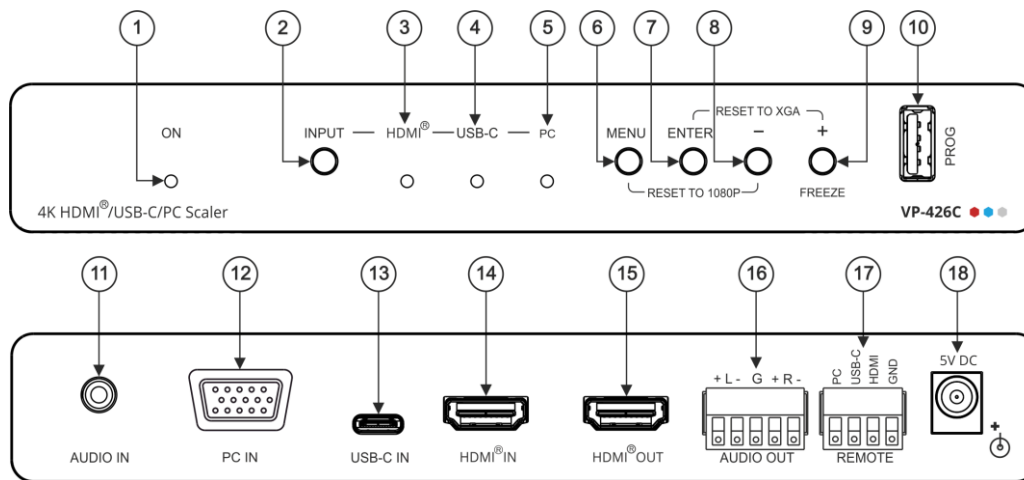
This guide helps you install and use your **VP-426C** for the first time.

Go to [www.kramerav.com/downloads/VP-426C](http://www.kramerav.com/downloads/VP-426C) to download the latest user manual and check if firmware upgrades are available.

### Step 1: Check what's in the box

- ✓ **VP-426C** 4K HDMI/USB-C/PC Scaler
- ✓ 1 Bracket set
- ✓ 1 Quick start guide
- ✓ 1 Power adapter and cord
- ✓ 4 Rubber feet

### Step 2: Get to know your VP-426C



#	Feature	Function
1	ON LED	Lights green when the unit is powered.
2	INPUT Button	Press to cycle the input between HDMI, USB-C and PC.
3	HDMI™ LED	Lights when the HDMI input is selected.
4	USB-C LED	Lights when the USB-C input is selected.
5	PC LED	Lights when the PC input is selected.
6	MENU Button	Press to enter/escape the on-screen display (OSD) menu. Press together with the – button to reset to 1080p (RESET TO 1080P).
7	ENTER Button	In OSD, press to choose the highlighted menu item. Press together with the + button to reset to XGA (RESET TO XGA).
8	– Button	In OSD, press to move backward through the list or to decrement the parameter value.
9	+ /FREEZE Button	In OSD, press to move forward through the list or to increment the parameter value. When not in OSD, press to freeze the display.
10	PROG USB Connector	Connect to a PC for upgrading the firmware.
11	AUDIO IN PC 3.5mm Mini Jack	Connect to an unbalanced stereo audio PC source. Can also be selected as the audio input (instead of the HDMI and USB-C embedded audio inputs).
12	PC IN 15-pin HD Connector	Connect to a laptop.
13	USB-C IN USB Type C Port	Connect to a USB type-C audio-video source.
14	HDMI™ IN Connector	Connect to an HDMI source.
15	HDMI™ OUT Connector	Connect to an HDMI acceptor.
16	AUDIO OUT Terminal Block Connector	Connect to a balanced stereo audio acceptor.
17	REMOTE 4-pin Terminal Block Connector	Connect to contact closure switches (by momentary contact between the desired pin and GND pin) to select an input.
18	5V DC	+5V DC connector for powering the unit.

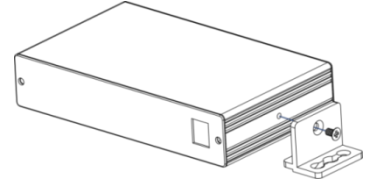
The terms HDMI, HDMI High-Definition Multimedia Interface, and the HDMI Logo are trademarks or registered trademarks of HDMI Licensing Administrator, Inc.



## Step 3: Install the VP-426C

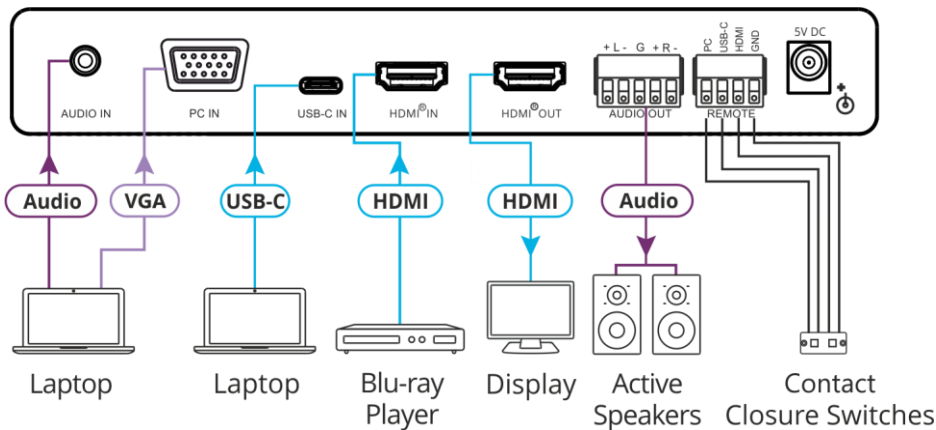
Install **VP-426C** using one of the following methods:

- Attach the rubber feet and place the unit on a flat surface.
- Fasten a bracket (included) on each side of the unit and attach it to a flat surface. For more information go to [www.kramerav.com/downloads/VP-426C](http://www.kramerav.com/downloads/VP-426C).
- Mount the unit in a rack using the recommended rack adapter (see [www.kramerav.com/product/VP-426C](http://www.kramerav.com/product/VP-426C)).



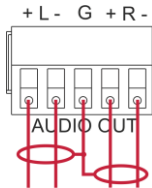
## Step 4: Connect the inputs and outputs

Always switch OFF the power on each device before connecting it to your **VP-426C**. For best results, we recommend that you always use Kramer high-performance cables to connect AV equipment to the **VP-426C**.

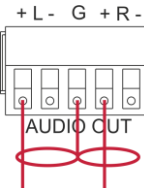


### Connect the audio output

To a balanced stereo audio acceptor:



To an unbalanced stereo audio acceptor:



## Step 5: Connect the power

Connect the power cord to **VP-426C** and plug it into the mains electricity.

Safety Instructions



- Caution:** There are no operator serviceable parts inside the unit.
- Warning:** Use only the power cord that is supplied with the unit.
- Warning:** Do not open the unit. High voltages can cause electrical shock! Servicing by qualified personnel only.
- Warning:** Disconnect the power and unplug the unit from the wall before installing.

See [www.KramerAV.com](http://www.KramerAV.com) for updated safety information

## Step 6: Operate and control the VP-426C

Select the input via the following options:

- Press the front panel INPUT button.
- Use the contact closure terminal block to select an input remotely with the press of a button.

Press the **MENU** button to configure and control the device via OSD menu:

- Set brightness, contrast, color, noise reduction etc.
- Manage EDID.
- Configure HDCP behavior.
- Select resolution and aspect ratio.
- Manage auto power down (Auto Sync Off).
- Manage audio bypass and delay.
- View device information.
- Reset to factory default parameters.
- Control OSD display.

