

BC1209/PTZ Mini/AH 1080p / 720p Optical 10x Zoom



The new 1080p/720p Mini PTZ (Pan Tilt Zoom) has an IR range up to 196 ft with constant current control and synchronous switch. It is equipped with 128 presets where titles can also be set. Support Scanning is available between left limit and right limit at a predetermined speed. The built-in OSD Menu allows a variety of options and settings. This camera is weather-proof rated IP66 for outdoor use.

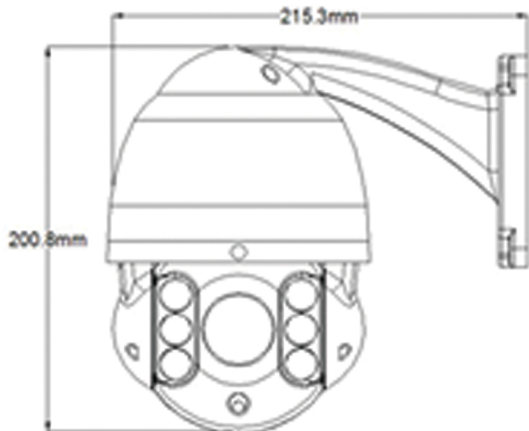
*12 volt 2 amp power supply (included)

HIGHLIGHTS

- Pan-Tilt-Zoom
- Compatible with 1080p and 720p DVRs
- IR Range: 196 ft
- Built-In OSD Menu
- Smart IRs
- IP66 Rated Weather-Proof Housing
- 128 Presets
- 8 Programmable zones and 4 patterns



DIMENSIONS



SPECIFICATIONS	
Sensor	1/3" Sony 322 CMOS Sensor+NVP2441H
Min. Illumination	Color : 0.5 lux , BW : 0.1lux
Resolution	1080p / 720p
OPTICS	Optical x10 Zoom f = 5.5mm - 55mm
Angle	Approximate 55.2°(Wide) to 3.2°(Tele)
S/N (Y signal)	52dB
White Balance	Auto
Manual speed	Pan (0.1°~200°/s) Tilt (0.1°~ 180°/s)
ICR	Manual/Auto
DNR	Auto / Off / Low / Middle / High
HLC	Off / On
Max Gain	Auto
IRIS	Auto
FLIP	Vertical , Horizontal ,Vertical-Horizontal, OFF Selectable
Rotation	Pan continuously 360° , tilt 0~90° with auto-flip
Preset	128 preset, title can be edited
Auto-flip	Tilt down 90° , with auto-flip 180°
Scan	355°programmable, 4 scan
Pattern	4 patterns, and each record time is not less than 180s
Tour	4 tour and speed & park time of presets can be set.
Remote controlling	RS485
Baud rate (RS485)	2400 / 4800 / 9600/19200 bps
ID range	1-254(software add.)
Output	AHD
Protocols	Pelco D, Pelco P
ELECTRICAL	
Input Voltage	DC 12V, 2 AMP
Power consumption	9W/25W(IR_LED ON)
Operating Temperature	-10°C ~ +50°C
PHYSICAL	
Size	8in x 8.5in
Net Weight	4 Lbs.
IP Standard	IP66