

LB20 Premium Cabinet Loudspeakers



Table of contents

1	Safety	4
1.1	Suspension	4
1.2	Notices	4
2	Short information	5
3	Introduction	6
3.1	System features	6
3.2	Packing list	7
3.3	Product information	9
4	Installation and wiring	10
4.1	Installing the speaker	10
4.2	Wiring	14
4.2.1	Wall bracket wiring	14
4.2.2	Alternative Euroblock connection	14
4.3	Transformer taps	16
4.3.1	LB20-PC15-4 cabinet speakers 70V/100V	16
4.3.2	LB20-PC30-5 cabinet speakers 70V/100V	17
4.3.3	LB20-PC60-8 cabinet speakers 70V/100V	17
4.4	Replacing the logo	18
5	Troubleshooting	20
6	Technical data	21
6.1	LB20-PC40-4/LB20-PC15-4 cabinet speakers	21
6.1.1	Dimensions	22
6.1.2	Frequency response and impedance	22
6.2	LB20-PC75-5/LB20-PC30-5 cabinet speakers	23
6.2.1	Dimensions	24
6.2.2	Frequency response and impedance	24
6.3	LB20-PC90-8/LB20-PC60-8 cabinet speakers	25
6.3.1	Dimensions	26
6.3.2	Frequency response and impedance	26
7	Wall bracket dimensions	27
7.1	LB20-PC40-4/LB20-PC15-4 wall bracket dimensions	27
7.2	LB20-PC75-5/LB20-PC60-5/LB20-PC90-8/LC20-PC60-8 wall bracket dimensions	28

1 Safety

1.1 Suspension



Warning!

Suspending any object is potentially dangerous and should only be attempted by individuals who have thorough knowledge of the techniques and regulations of suspending objects overhead. Bosch strongly recommends all loudspeakers be suspended taking into account all current national, federal, state, and local laws and regulations. It is the responsibility of the installer to ensure all loudspeakers are safely installed in accordance with all such requirements. When loudspeakers are suspended, Bosch strongly recommends the system be inspected at least once per year or as laws and regulations require. If any sign of weakness or damage is detected, remedial action should be taken immediately. The user is responsible for making sure the wall, ceiling, or structure is capable of supporting all objects suspended overhead. Any hardware used to suspend a loudspeaker not associated with Bosch is the responsibility of others.

Safety point

As an added safety measure, it is suggested the user install an extra suspension point back to the building structural supports. This safety point should have as little slack as possible (less than 1-inch is preferable).

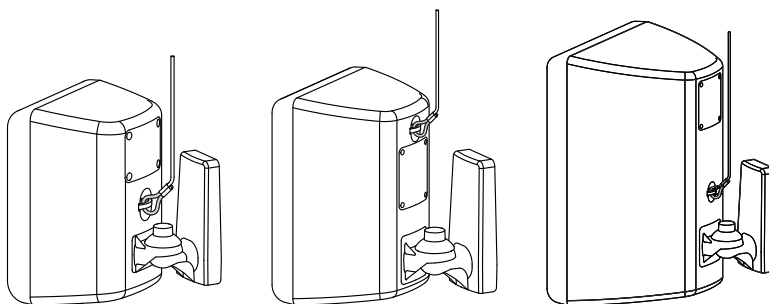
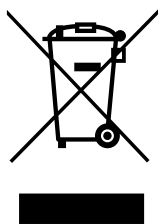


Figure 1.1: Redundant safety point - 4" (left), 5" (center), 8" (right)

1.2



Notices

Old electrical and electronic appliances

Electrical or electronic devices that are no longer serviceable must be collected separately and sent for environmentally compatible recycling (in accordance with the European Waste Electrical and Electronic Equipment Directive).

To dispose of old electrical or electronic devices, you should use the return and collection systems put in place in the country concerned.

Copyright and disclaimer

All rights reserved. No part of this document may be reproduced or transmitted in any form by any means, electronic, mechanical, photocopying, recording, or otherwise, without the prior written permission of the publisher. For information on getting permission for reprints and excerpts, contact Bosch Security Systems, Inc.

All content including specifications, data, and illustrations in this manual are subject to change without prior notice.

2 Short information

The following table lists products in a family, with CTN (Commercial Type Number) and identifying product name DESCRIPTION.

Woofers size	CTN	Description
4"	LB20-PC40-4D	Cabinet speaker 4" 8 Ohm black pair
	LB20-PC40-4L	Cabinet speaker 4" 8 Ohm white pair
	LB20-PC15-4D	Cabinet speaker 4" 70/100V black pair
	LB20-PC15-4L	Cabinet speaker 4" 70/100V white pair
5.25"	LB20-PC75-5D	Cabinet speaker 5" 8 Ohm black pair
	LB20-PC75-5L	Cabinet speaker 5" 8 Ohm white pair
	LB20-PC30-5D	Cabinet speaker 5" 70/100V black pair
	LB20-PC30-5L	Cabinet speaker 5" 70/100V white pair
8"	LB20-PC90-8D	Cabinet speaker 8" 8 Ohm black pair
	LB20-PC90-8L	Cabinet speaker 8" 8 Ohm white pair
	LB20-PC60-8D	Cabinet speaker 8" 70/100V black pair
	LB20-PC60-8L	Cabinet speaker 8" 70/100V white pair

3 Introduction

The premium cabinet loudspeakers from Bosch Security Systems, Inc are a line of compact, high-performance, two-way, full-range surface mount loudspeakers with excellent wide and uniform coverage, and outstanding performance. Their design makes these practically invisible for use in background and foreground music, paging, and sound reinforcement applications, making them ideal for indoor and outdoor applications, such as restaurants, bars, patios, retail, fitness clubs, hospitality, theme parks, leisure venues, and others. With unparalleled ease-of-installation, sturdy weather resistance, modern and delicate look, and flexible mounting options, the premium cabinet loudspeakers are the perfect solution for a wide variety of surface mount applications.

These full-range loudspeakers (except for the LB20-PC60EW-5) include a unique and innovative mount system from Bosch Security Systems, Inc, prepared to make any job easier. This mount system allows for 90 degrees of rotation horizontally and 45 degrees of rotation vertically. It comes already assembled and is easily installed on walls and ceilings. Its unique and innovative mount system makes every installation quick, simple, and reliable.

Read through this manual to familiarize yourself with the safety information, features, and applications before you use these products.

3.1 System features

LB20-PC40-4/LB20-PC15-4

- Innovative mount system is included for quick, simple, and reliable installations
- Carefully engineered for outdoor environments (IP54), without compromising performance
- Long throw 4" (102 mm) woofer housed in a fire rated ABS plastic enclosure for extended LF performance down to 75 Hz
- 40 W power handling provides for 103 dB maximum SPL (109 dB peak)
- 70/100 V transformer version (LB20-PC15-4) available for constant voltage systems

LB20-PC75-5/LB20-PC30-5

- Innovative mount system is included for quick, simple, and reliable installations
- Carefully engineered for outdoor environments (IP54), without compromising performance
- Long throw 5.25" (133 mm) woofer housed in a fire rated ABS plastic enclosure for extended LF performance down to 60 Hz
- 75 W power handling provides for 109 dB maximum SPL (115 dB peak)
- 70/100 V transformer version (LB20-PC30-5) available for constant voltage systems

LB20-PC90-8/LB20-PC60-8

- Innovative mount system is included for quick, simple, and reliable installations
- Carefully engineered for outdoor environments (IP54), without compromising performance
- Long throw 8" (203 mm) woofer housed in a fire rated ABS plastic enclosure for extended LF performance down to 50 Hz
- 90 W power handling provides for 110 dB maximum SPL (116 dB peak)
- 70/100 V transformer version (LB20-PC60-8) available for constant voltage systems

3.2 Packing list

Item	Quantity	Component
A	2	Speakers with speaker brackets attached
B	2	Wall mount brackets
C	2	Dust covers
D	1	Allen wrench
E	2	Grille logos (spare)
F	2	Safety screws for the mounting brackets
G	2	Safety screw caps for the mounting brackets
H	2	Covers for the locking bolt
I	1	Installation manual

Tab. 3.1: Components list for speakers without transformer

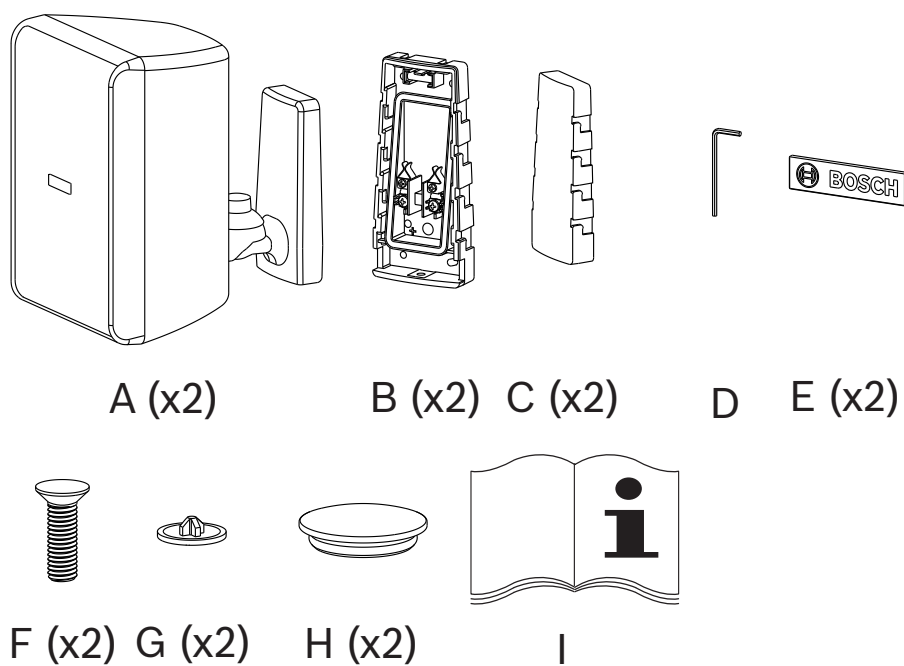


Figure 3.1: Components list for speakers without transformer

Item	Quantity	Component
A	2	Speakers with speaker brackets attached
B	2	Wall mount brackets
C	2	Dust covers
D	1	Allen wrench
E	2	Grille logos (spare)
F	2	Safety screws for the mounting brackets
G	2	Safety screw caps for the mounting brackets
H	2	Covers for the locking bolt
I	1	Installation manual
J	2	Flush input covers
K	8	Screws for flush input covers

Tab. 3.2: Components list for speakers with transformer

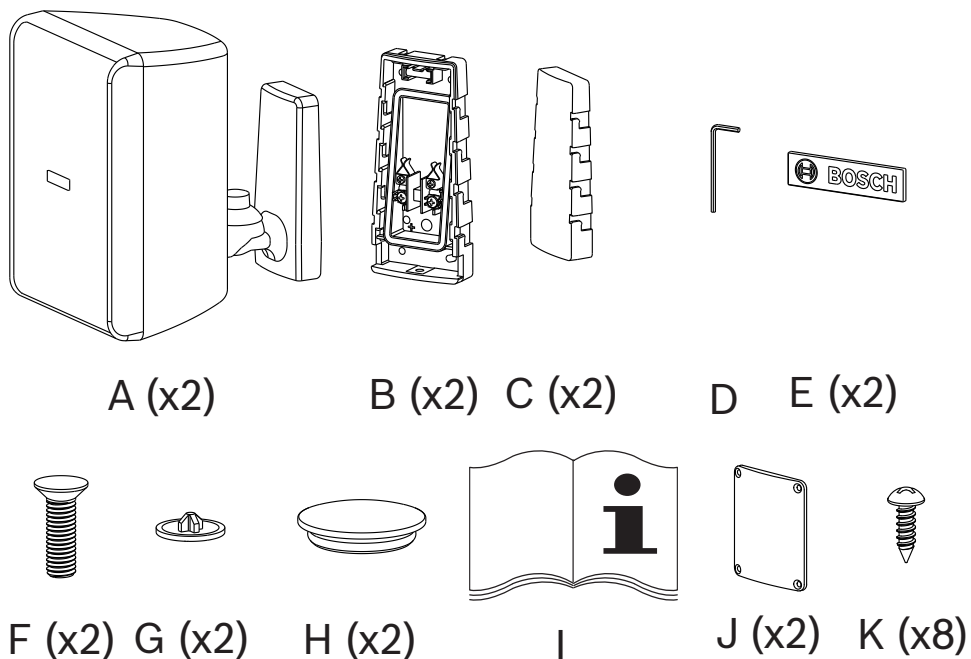


Figure 3.2: Components list for speakers with transformer

3.3 Product information

Item	Description
A	Grille
B	Bubble level
C	Wall bracket
D	Safety cable loop
E	Flush input cover
F	Audio wire hole
G	Locking bolt
H	Audio connector
I	Safety screw hole for bracket
J	Speaker bracket

Tab. 3.3: Product information for all models

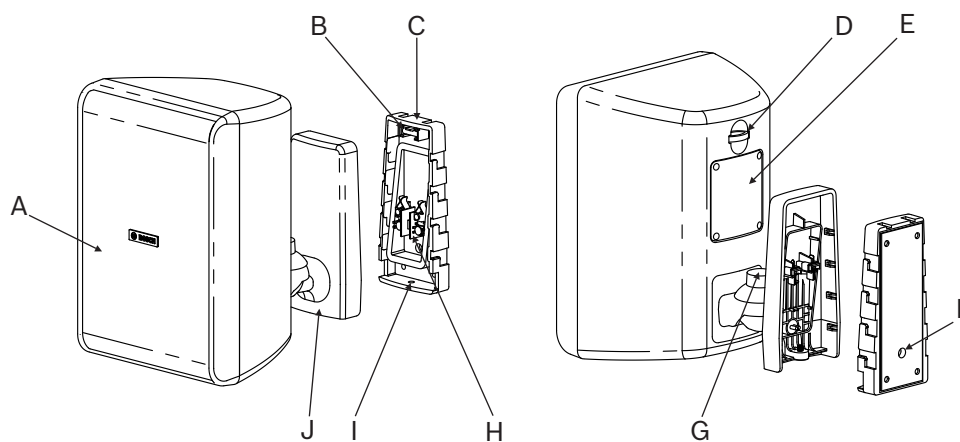


Figure 3.3: Product information (LB20-PC75-5/LB20-PC30-5 model shown)

4 Installation and wiring

4.1 Installing the speaker

For safety, ensure the mounting surface supports more than the weight of the speaker. Use only industry-accepted fasteners and mounting methods when mounting the wall bracket. Consult an expert if you are unsure.



Caution!

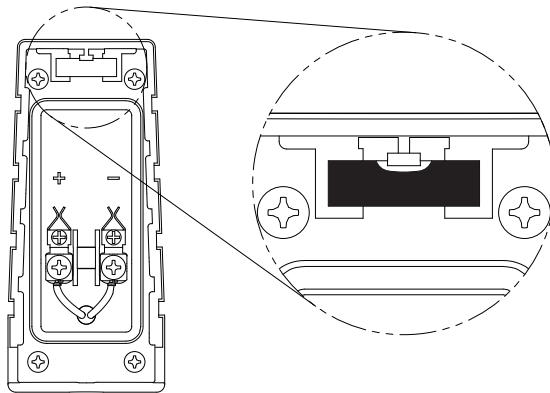
It is the installer's responsibility to determine and use the proper mounting hardware for the wall construction type.

Disregarding this caution could result in damage to the product and personal injuries may occur.

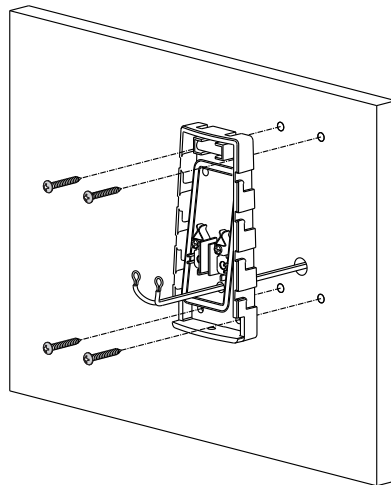
Installing the wall bracket vertically

To **install the wall bracket vertically**, do the following:

1. Push the **wire** thru the hole.
2. Adjust the **wall bracket** until the bubble is level.



3. Install **four mounting screws** to secure the wall bracket to the wall.



4. Connect the **wires** to wall bracket audio connectors, as shown in the wiring section.



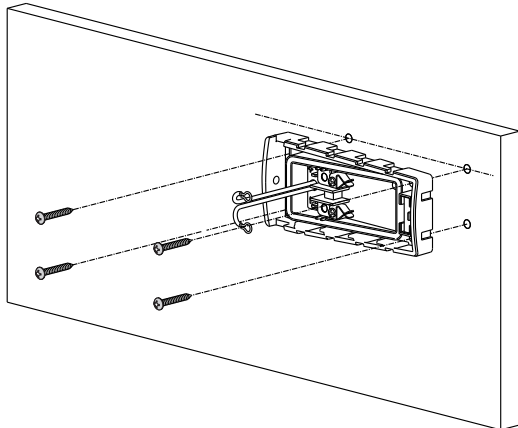
Notice!

If the speaker installation will be delayed cover it with the paint shield/dust shield.

Installing the wall bracket horizontally

To **install the bracket horizontally**, do the following:

1. Draw a **level line**.
2. Align **screw holes** on the level line.
3. Mark the **position** of the wire hole.
4. Install **four mounting screws** to secure the wall bracket to the wall.



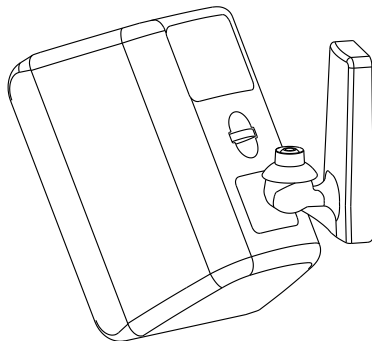
Notice!

If the speaker installation will be delayed cover it with the paint shield/dust shield.

Installing the speaker

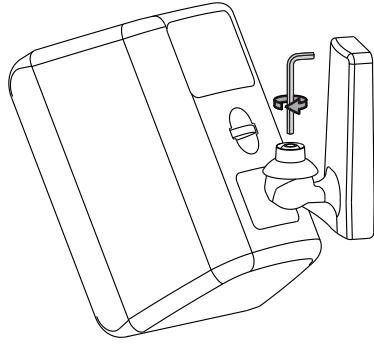
To **install the speaker**, do the following:

1. Loosen the **locking bolt** with the Allen wrench (supplied).
2. Adjust the **horizontal and vertical position** of the bracket.

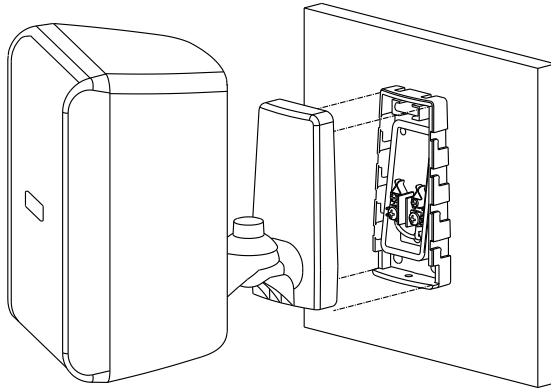


3. Tighten the **locking bolt** with an Allen wrench (supplied).
If available, we recommend using an Allen wrench with a longer handle to make it easier to apply the necessary force to achieve the recommended torque. See Recommended torque,

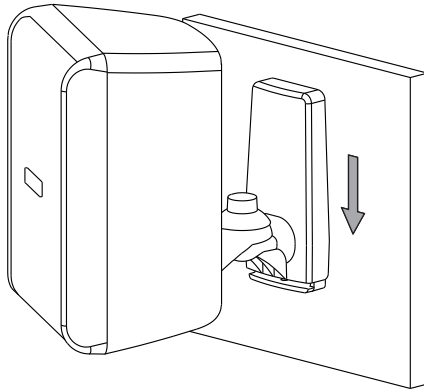
page 13



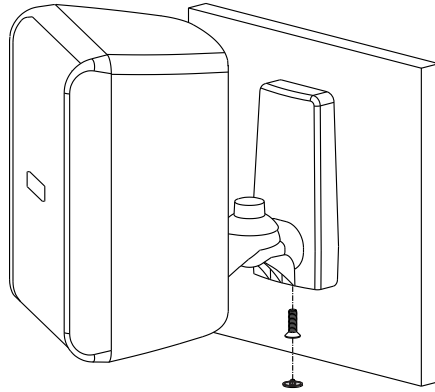
4. Push the **speaker bracket** onto the wall bracket.



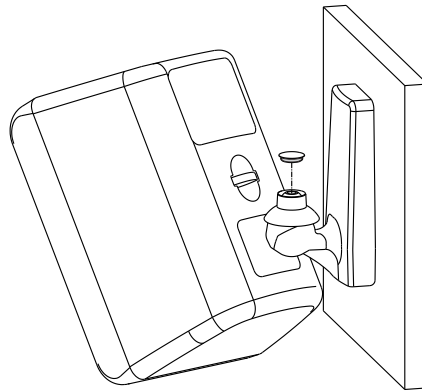
5. Slide the **speaker bracket** down to secure bracket to the wall bracket.
This secures the bracket and makes electrical connection.



6. Install the **safety screw and screw cap**.



7. Readjust the horizontal and vertical **speaker** position, if needed.
8. Install the **locking bolt cap**.



Recommended torque

Speaker size	Recommended torque
4" speakers	62-75 in.-lb. (7.0-8.5 N-m)
5.25" speakers	66-80 in.-lb. (7.5-9.0 N-m)
8" speakers	66-80 in.-lb. (7.5-9.0 N-m)

Tab. 4.4: Recommended torque

Safety point

As an added safety measure, it is suggested the user install an extra suspension point back to the building structural supports. This safety point should have as little slack as possible (less than 1-inch is preferable).

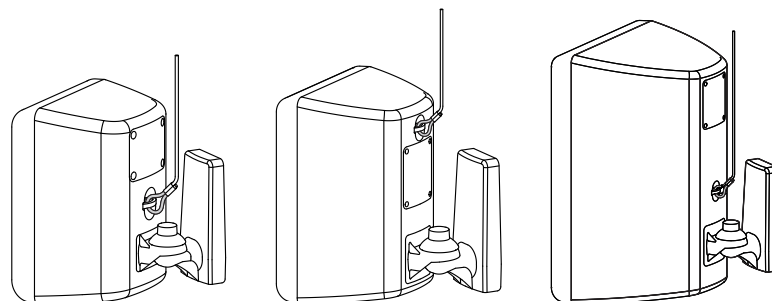


Figure 4.1: Redundant safety point - 4" (left), 5" (center), 8" (right)

4.2 Wiring

4.2.1 Wall bracket wiring

The wall bracket and speaker can be wired using either 2-wires, for input only, or 4-wires, for input and parallel output.

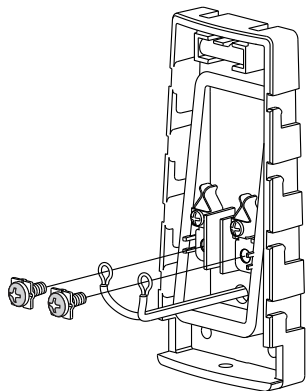


Figure 4.2: Wall bracket wiring - 2-wires, for input only

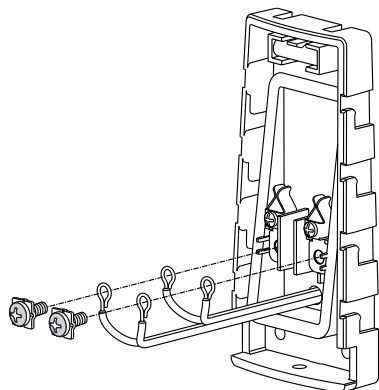


Figure 4.3: Wall bracket wiring - 4-wires, for input and parallel output

Reference the polarity markers on the wall bracket. Ensure the wiring screws are tightened securely to the connectors on the wall bracket.

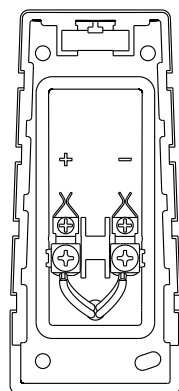


Figure 4.4: Wall bracket wiring - front view

4.2.2 Alternative Euroblock connection



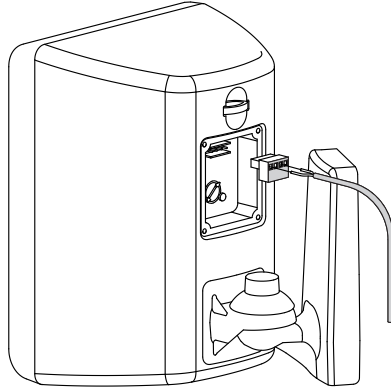
Notice!

These instructions apply to the speakers with and without transformers, transformer version shown. Available for all models except LB20-PC15-4.

Wiring the speaker using the Euroblock connector

To **wire the speaker using Euroblock connector**, do the following:

1. Wire the **Euroblock connector**.



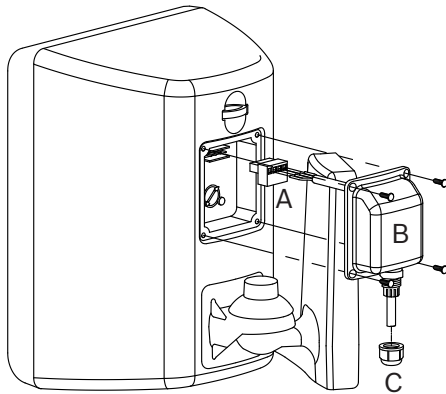
2. Adjust the **tap settings**, if needed.
3. Mount the **speaker**, as shown in the installation section.
4. Plug the **Euroblock connector** into the speaker.
5. Readjust the **horizontal or vertical speaker** position.

Wiring the speaker using the Euroblock connector and weather cover – optional accessory

To **wire the speaker using Euroblock connector and weather cover**, do the following:

1. Push the **wire** through the gland nut.

2. Wire the **Euroblock connector (A)**.



3. Adjust the **tap settings**, if needed.
4. Mount the **speaker**, as shown in the installation section.
5. Plug the **Euroblock connector** into the speaker.
6. Insert the **four screws** into the weather cover (B).
Loosely tighten the four screws to keep the weather cover in place.
7. Tighten all **four screws** to secure the weather cover.
Ensure the weather cover is secure.
8. Adjust the **wire** length.
9. Tighten the **gland nut (C)**.
10. Readjust the **horizontal or vertical speaker** position.

See also

- *Installing the speaker, page 10*

4.3 Transformer taps

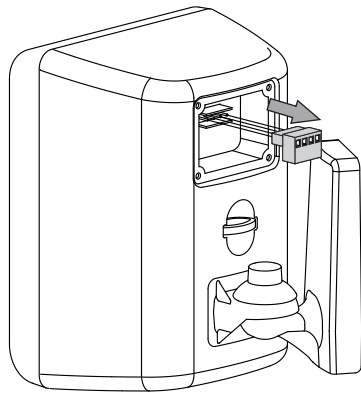
You can select the mode of operation for all models that have a transformer. For the LB20-PC15-4 you can select the power tap for 70V/100V operation by using the jumper connector in the Euroblock on the input panel. For the LB20-PC30-5 and the LB20-PC60-8 you can select the mode of operation (70V/100V/8 ohm) and power taps using the rotary switch on the input panel.

4.3.1 LB20-PC15-4 cabinet speakers 70V/100V

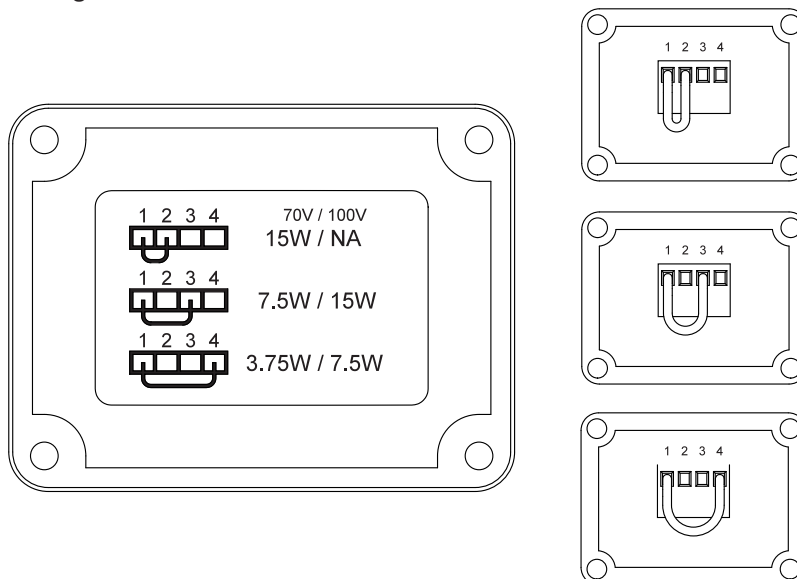
Configuring the transformer settings

To **configure the transformer settings**, do the following:

1. Remove the **Euroblock connector** from the input panel.

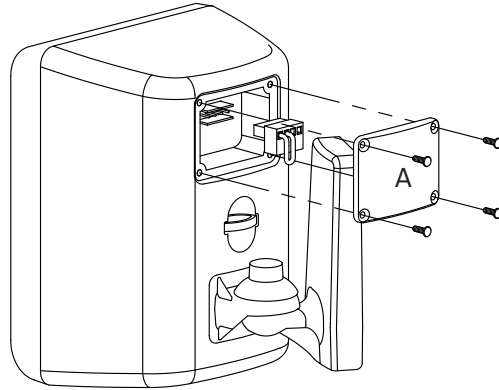


2. Wire the **jumper connector** in the Euroblock, according to the desired transformer settings.



3. Plug the **Euroblock connector** into the input panel.

4. Attach the **flush input cover (A)**.

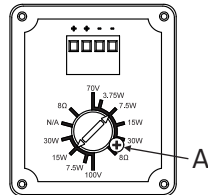


4.3.2 LB20-PC30-5 cabinet speakers 70V/100V

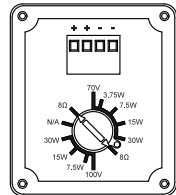
Configuring the transformer settings

To **configure the transformer settings**, do the following:

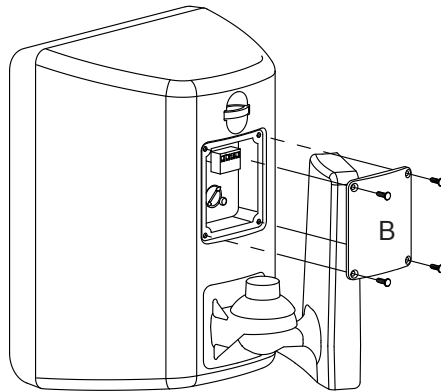
1. Select the desired **power tap** by using the rotary switch on the input panel.



2. If 8 ohm mode is desired, remove the **safety screw**.
Safety screw (A) is shown in the previous step.



3. Attach the **flush input cover (B)**.

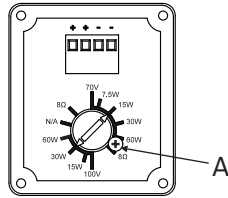


4.3.3 LB20-PC60-8 cabinet speakers 70V/100V

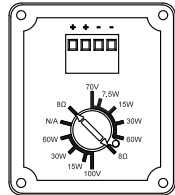
Configuring the transformer settings

To **configure the transformer settings**, do the following:

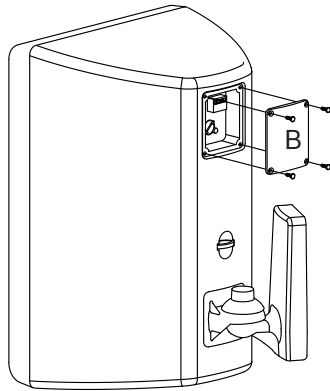
1. Select the desired **power tap** by using the rotary switch on the input panel.



2. If 8 ohm mode is desired, remove the **safety screw**.
Safety screw (A) is shown in the previous step.



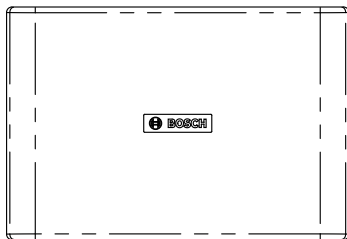
3. Attach the **flush input cover (B)**.



4.4

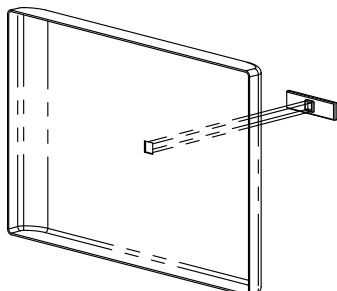
Replacing the logo

An additional logo is included, horizontal installation is shown.



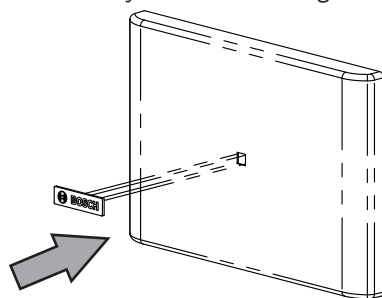
To **replace the logo**, do the following:

1. Remove the existing **logo**.
2. Clean the **surface** with alcohol.
3. Align the **logo** with the square guide.



4. Remove the **paper backing**.

5. Insert the **logo**.
Press firmly to ensure the logo is applied.



5 Troubleshooting

Problem	Possible Causes	Action
No Sound	Amplifier	Connect a known working test speaker to the amplifier outputs. If there is no sound, check all electronics are on, the signal routing is correct, the source is active; the volume is turned up, and so on. Correct/Repair/Replace as necessary. If there is sound, the problem is in the wiring.
	Wiring	Verify you have connected the correct wire pairs to the amplifier. Play something at low level through the amplifier (for example, from a CD player or tuner). Connect the test speaker in parallel with the malfunctioning line. If the sound has gone or is very weak, the line has a short in it (possibly a severe scrape, pinch, or staple puncture). If the sound level is normal the wire is open (possibly a cut wire or missed connection). Using the test speaker, move down the line and test each connection/junction until you find the problem and correct it. Observe proper polarity.
		Verify you have the inputs and outputs connected to the correct wires. If the subwoofer input panel is not correctly wired, there will be little or no sound. Observe proper polarity.
Poor Low-Frequency Response	Speakers Wired Out-of-Polarity	When two speakers are connected out of polarity (out of phase), the low frequencies will cancel each other acoustically. Carefully observe the wire markings or tracers on your speaker wires. Verify the amplifier (+) terminal is connected to the red speaker terminals and the amplifier (-) terminal is connected to the black speaker terminals.
	Improperly Wired Subwoofer Panel	Using a test speaker as described above, verify all amplifier and speaker wires are connected to their proper terminals with the correct polarity. Reversing just one set of amplifier wires can cut out all bass output from the subwoofer.
Intermittent Output such as, Crackling or Distortion	Faulty Connection	Check all connections at amplifier and speakers to ensure they are clean and tight. If the problem persists, it may be in the amplifier or wiring. See other actions above.
Constant Noise such as Buzzing, Hissing, Humming	Defective Amplifier or other Electronic Device	If the noise is present but no program material is playing, the likely cause is the signal chain in the electronics. Evaluate each component as necessary to isolate the problem.
	Poor System Grounding or Ground Loop	Check and correct the system grounding, as required.

6 Technical data

6.1 LB20-PC40-4/LB20-PC15-4 cabinet speakers

	LB20-PC40-4	LB20-PC15-4
Frequency response (-3 dB):	100 Hz - 20 kHz ¹	100 Hz - 20 kHz ¹
Frequency response (-10 dB):	75 Hz - 20 kHz ¹	75 Hz - 20 kHz ¹
Sensitivity:	87 dB ²	86.5 dB ²
Max SPL (calculated):	103 dB (109 dB Peak)	98.5 dB (104.5 dB Peak)
Coverage angle:	Horizontal 110°, Vertical 110°	
Power handling:	40 W (160 W Peak) Continuous Pink Noise (100 hours)	
Low Z:	Yes	No
Nominal impedance:	8 Ω	N/A
Minimum impedance:	6 Ω	N/A
Recommended High-Pass:	70 Hz (24 dB/octave)	
Input transformer (70V/100V):	No	15 W
Transformer taps:	N/A	7.5 W (70 V Only), 15 W
LF transducer:	4 inch (102 mm)	
HF transducer:	0.75 inch (20 mm)	
Connectors:	Captive screws on wall bracket. Removable locking 4-pin connector (Euroblock) - (2) for connection to additional speakers in a distributed line. Max. wire size 12AWG (2.5 mm)	Captive screws on wall bracket
Environmental:	IP54 (per IEC-60529)	
Color:	Black or white	
Dimensions (HxWxD):	193 mm x 140 mm x 120 mm (7.6 in x 5.5 in x 4.7 in) ³	
Net weight:	1.5 kg (3.3 lb)	1.8 kg (4.0 lb)
Shipping weight: (pair)	5 kg (11.0 lb)	5.4 kg (11.9 lb)
Included hardware:	Mounting bracket and 4-mm Allen wrench	
Packaged quantity:	2	

¹Half-space (wall mounting).

²Half-space (on wall) averaged 100 Hz - 10 kHz, 1 W.

³Without brackets.

6.1.1 Dimensions

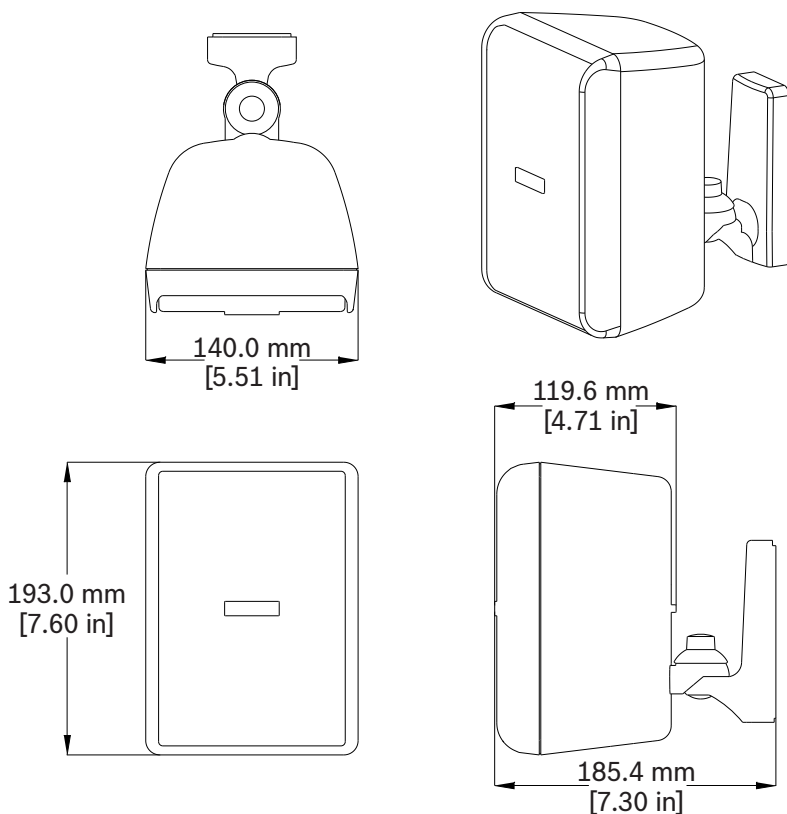


Figure 6.1: LB20-PC40-4/LB20-PC15-4 dimensions

6.1.2 Frequency response and impedance

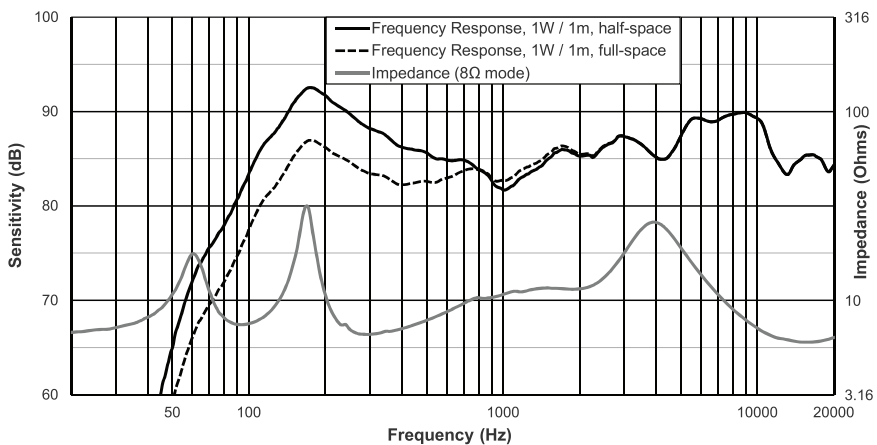


Figure 6.2: LB20-PC40-4/LB20-PC15-4 frequency response and impedance

6.2 LB20-PC75-5/LB20-PC30-5 cabinet speakers

	LB20-PC75-5	LB20-PC30-5
Frequency response (-3 dB):	85 Hz – 20 kHz ¹	85 Hz – 20 kHz ¹
Frequency response (-10 dB):	60 Hz – 20 kHz ¹	60 Hz – 20 kHz ¹
Sensitivity:	90 dB ²	90 dB ²
Max SPL (calculated):	109 dB (115 dB Peak)	
Coverage angle:	Horizontal 90°, Vertical 90°	
Power handling:	75 W (300 W Peak) Continuous Pink Noise (100 hours)	
Low Z:	Yes	Yes
Nominal impedance:	8 Ω	
Minimum impedance:	6.4 Ω	
Input transformer (70 V/100 V):	No	30 W
Transformer taps:	N/A	3.7 W (70 V Only), 7.5 W, 15 W, 30 W
LF transducer:	5.25 inch (133 mm)	
HF transducer:	0.75 inch (20 mm)	
Connectors:	Captive screws on wall bracket Removable locking 4-pin connector (Euroblock) – (2) for connection to additional speakers in a distributed line Max. wire size 12AWG (2.5 mm)	
Environmental:	IP54 (per IEC-60529)	
Color:	Black or white	
Dimensions (HxWxD):	255 mm x 180 mm x 154 mm (10.0 in x 7.1 in x 6.0 in) ³	
Net weight:	2.7 kg (5.9 lb)	3.2 kg (7.0 lb)
Shipping weight (pair):	6.7 kg (14.8 lb)	7.9 kg (17.5 lb)
Included hardware:	Mounting bracket and 5-mm Allen wrench	
Packaged quantity:	2	

¹Half-space (wall mounting).

²Half-space (on wall) averaged 100 Hz - 10 kHz, 1 W.

³Without brackets.

6.2.1 Dimensions

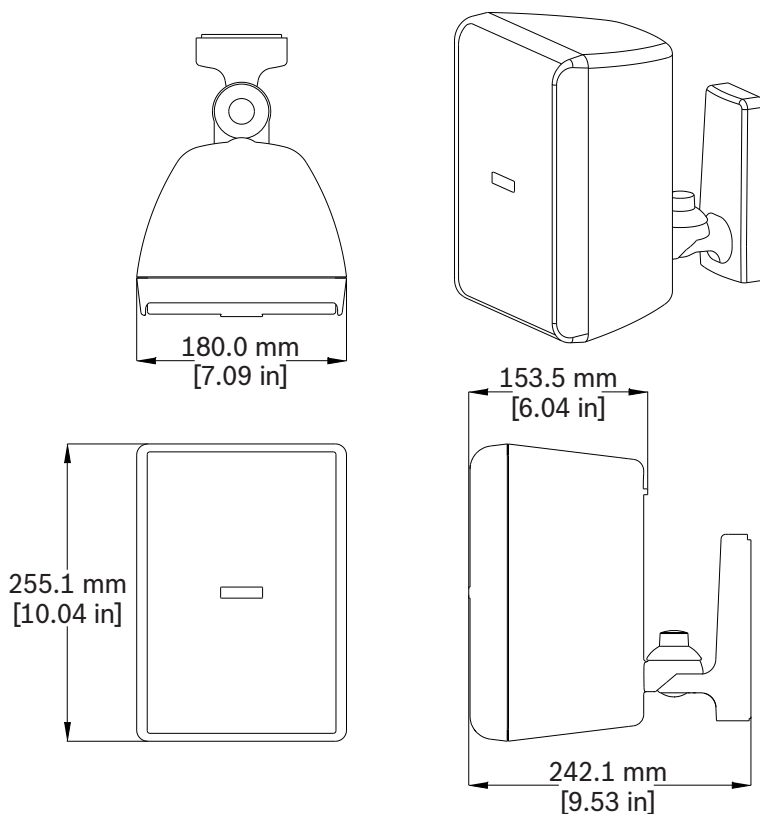


Figure 6.3: LB20-PC75-5/LB20-PC30-5 dimensions

6.2.2 Frequency response and impedance

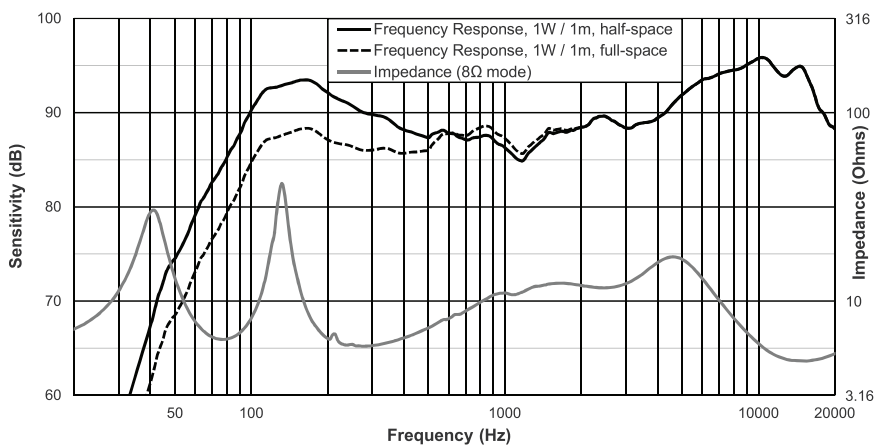


Figure 6.4: LB20-PC75-5/LB20-PC30-5 frequency response and impedance

6.3 LB20-PC90-8/LB20-PC60-8 cabinet speakers

	LB20-PC90-8	LB20-PC60-8
Frequency response (-3 dB):	70 Hz – 20 kHz ¹	70 Hz – 20 kHz ¹
Frequency response (-10 dB):	50 Hz – 20 kHz ¹	50 Hz – 20 kHz ¹
Sensitivity:	90 dB ²	90 dB ²
Max SPL (calculated):	110 dB (116 dB Peak)	
Coverage angle:	Horizontal 90°, Vertical 90°	
Power handling:	90 W (360 W Peak) Continuous Pink Noise (100 hours)	
Low Z:	Yes	Yes
Nominal impedance:	8 Ω	
Minimum impedance:	6.4 Ω	
Recommended High-Pass	50 Hz	
Input transformer (70 V/100 V):	No	60 W
Transformer taps:	N/A	7.5 W (70 V Only), 15 W, 30 W, 60 W
LF transducer:	8 in (203 mm)	
HF transducer:	1 in (25 mm)	
Connectors:	Captive screws on wall bracket Removable locking 4-pin connector (Euroblock) – (2) for connection to additional speakers in a distributed line Max. wire size 12AWG (2.5 mm)	
Environmental:	IP54 (per IEC-60529)	
Color:	Black or white	
Dimensions (HxWxD):	390 mm x 250 mm x 224 mm (15.4 in x 9.8 in x 8.8 in) ³	
Net weight:	5.1 kg (11.3 lb)	5.8 kg (12.8 lb)
Shipping weight (pair):	13.0 kg (28.7 lb)	14.8 kg (32.6 lb)
Included hardware:	Mounting bracket and 5-mm Allen wrench	
Packaged quantity:	2	

¹Half-space (wall mounting).

²Half-space (on wall) averaged 100 Hz - 10 kHz, 1 W.

³Without brackets.

6.3.1 Dimensions

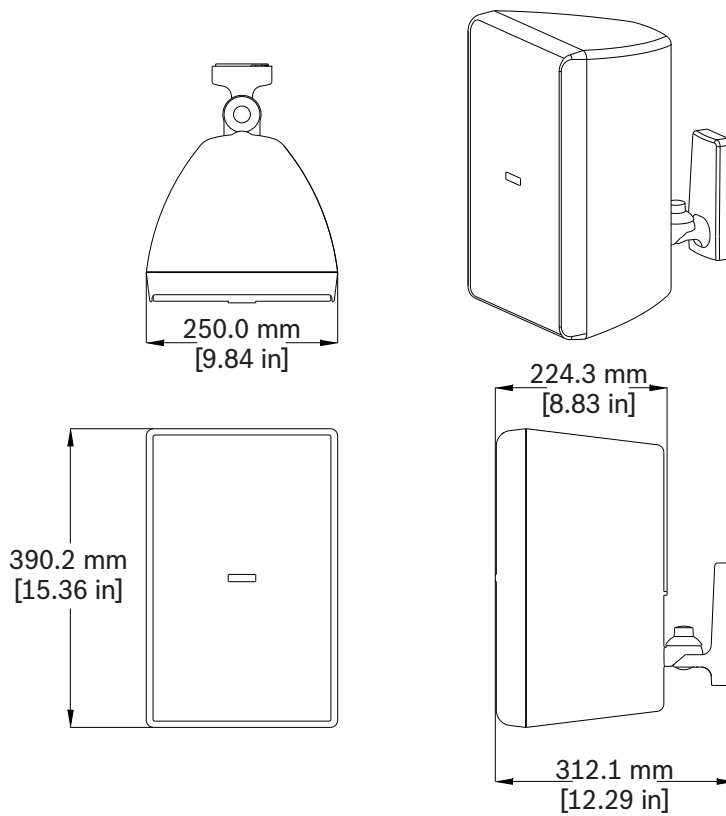


Figure 6.5: LB20-PC90-8/LB20-PC60-8 dimensions

6.3.2 Frequency response and impedance

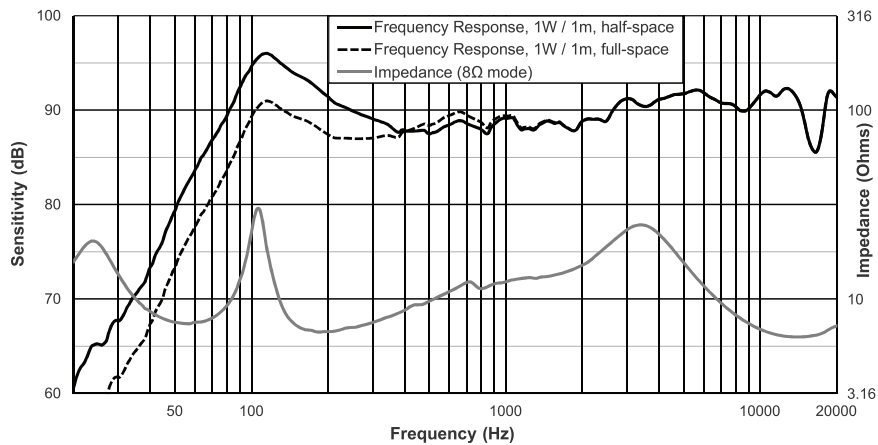
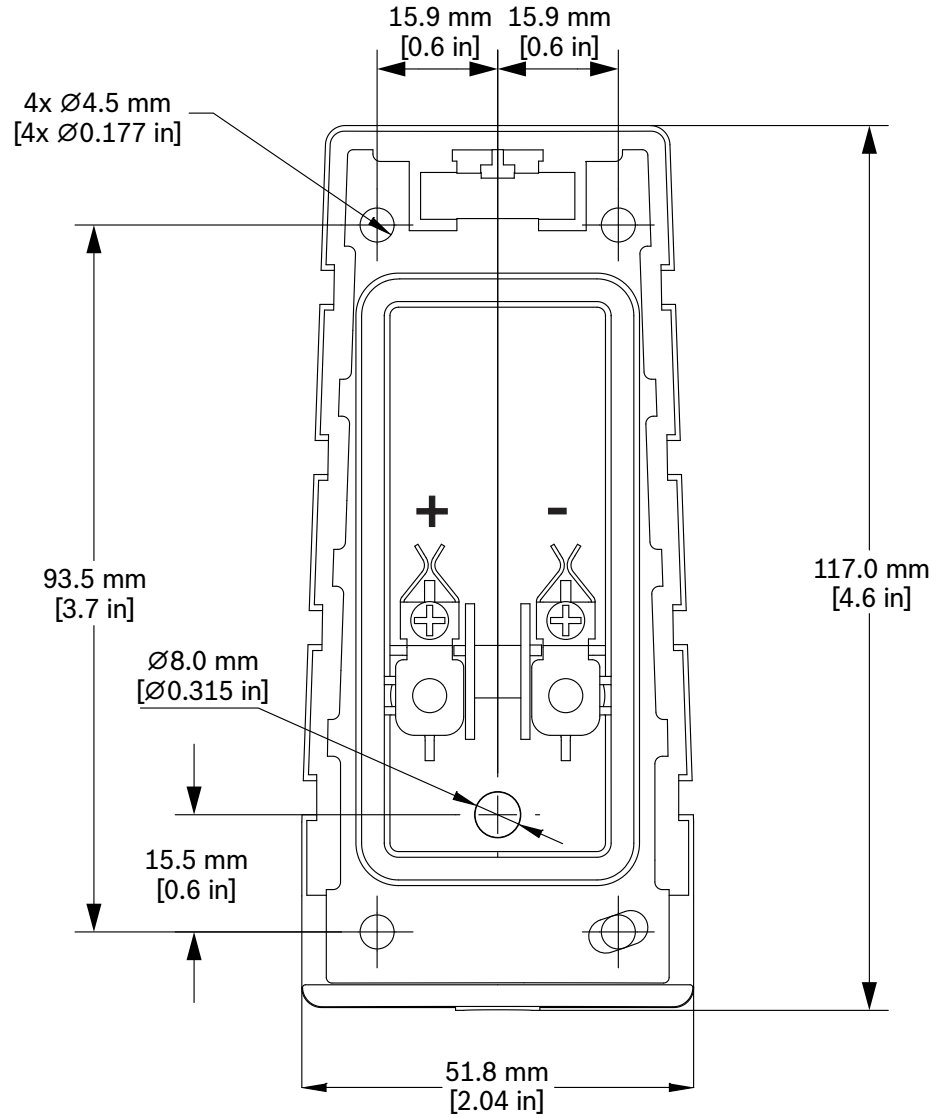


Figure 6.6: LB20-PC90-8/LB20-PC60-8 frequency response and impedance

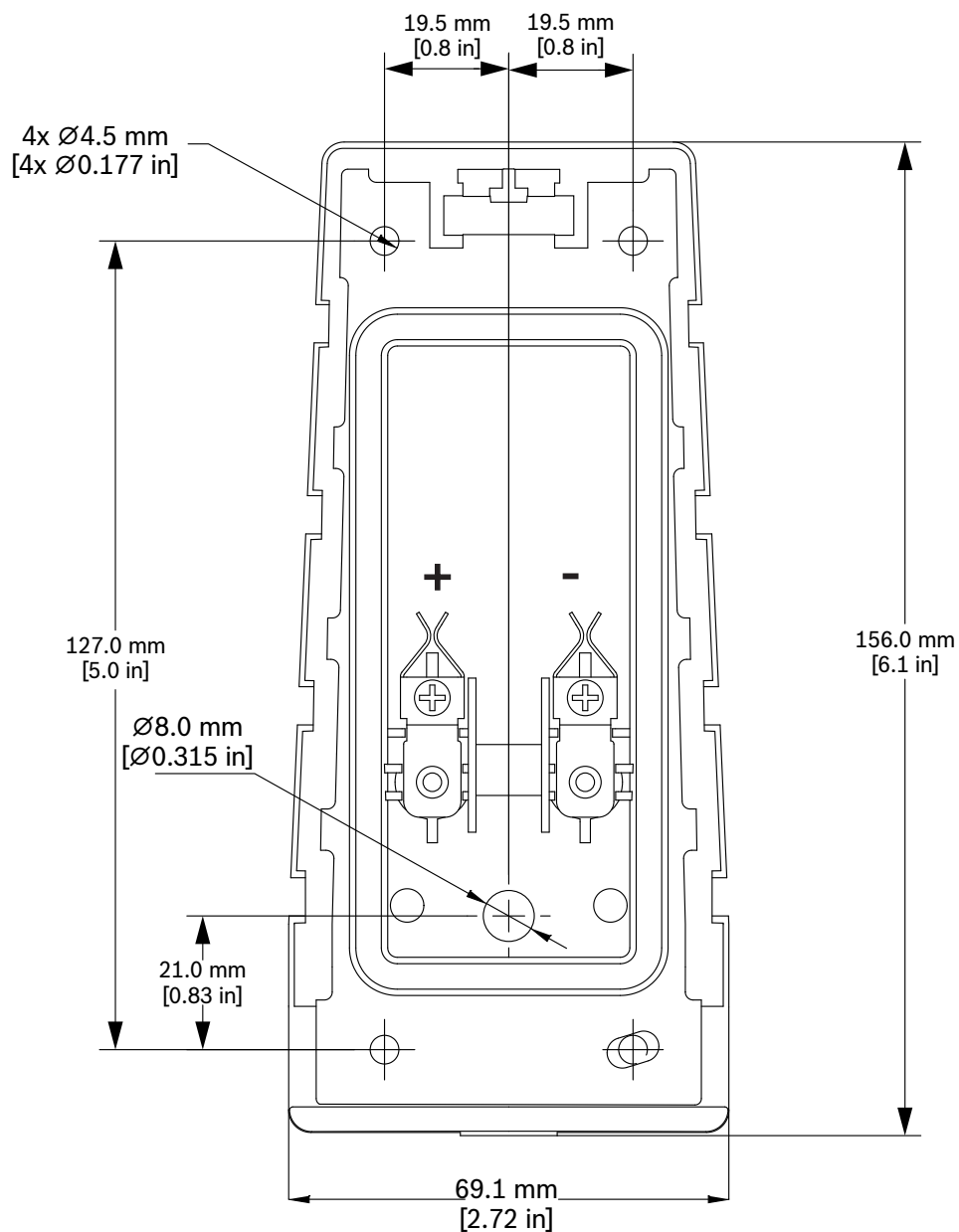
7 Wall bracket dimensions

The wall bracket dimensions are not to scale and are for reference only.

7.1 LB20-PC40-4/LB20-PC15-4 wall bracket dimensions



7.2 LB20-PC75-5/LB20-PC60-5/LB20-PC90-8/LC20-PC60-8 wall bracket dimensions





Bosch Security Systems B.V.

Torenallee 49

5617 BA Eindhoven

Netherlands

www.boschsecurity.com

© Bosch Security Systems B.V., 2018