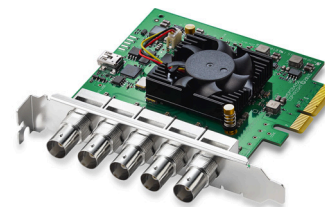


DeckLink Duo 2



\$495

Featuring 4 independent 3G-SDI connections, DeckLink Duo 2 is a PCI Express capture and playback card that supports SDI formats in SD and HD up to 1080p60! You get the flexibility of 4 separate capture or playback cards in one! Plus, it's completely customizable so it's perfect for media play-out systems, multi screen digital signage servers, real time multi channel capture systems and more!

Connections

SDI Video Inputs

4 x bidirectional 12-bit SD/HD independently configurable as either Input or Output.

SDI Video Outputs

4 x bidirectional 12-bit SD/HD independently configurable as either Input or Output.

SDI Audio Inputs

16 channels embedded in SD and HD.

SDI Audio Outputs

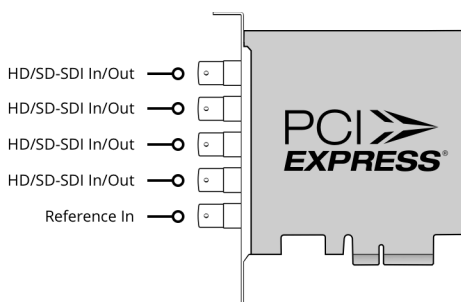
16 channels embedded in SD and HD.

Sync Input

Tri-Sync or Black Burst.

Computer Interface

PCI Express 4 lane generation 2, compatible with 4, 8 and 16 lane PCI Express slots.



Supported Codecs

AVC-Intra, AVCHD, Canon XF MPEG2,
Digital SLR, DV-NTSC, DV-PAL,
DVCPRO50, DVCPROHD, DPX, HDV,
HEVC, XDCAM EX, XDCAM HD, XDCAM
HD422, DNxHR & DNxHD, Apple
ProRes 4444, Apple ProRes 422 HQ,
Apple ProRes 422, Apple ProRes LT,
Apple ProRes 422 Proxy,
Uncompressed 8-bit 4:2:2,
Uncompressed 10-bit 4:2:2,
Uncompressed 10-bit 4:4:4

Software

Software Included

Media Express, Disk Speed Test,
LiveKey, Blackmagic Desktop Video
Utility and Blackmagic driver on Mac
OS and Windows. Media Express,
Blackmagic Desktop Video Utility and
Blackmagic driver on Linux.

Internal Software Upgrade

Firmware built into software driver.
Loaded at system start or via updater
software.

Physical Installation

PCI Express 4 lane generation 2,
compatible with 4 and 8 lane PCI
Express slots on Mac OS, Windows
and Linux. Mac OS systems require a
Mac Pro computer with PCI Express
slots. Please check the Support pages
to see the full system requirements.

Software Applications



DaVinci Resolve



Fusion



Final Cut Pro X



Adobe Premiere Pro CC



Avid Media Composer



Adobe After Effects CC



Avid Pro Tools



Steinberg Cubase



Steinberg Nuendo



Adobe Photoshop CC

Other supported applications include:

The Foundry Nuke, Grass Valley Edius, Sony Catalyst Production Suite, Tools On Air Just: Play & Live & In, Softron MovieRecorder & MReplay, Adobe Flash Media Live Encoder, Telestream Wirecast, Livestream Producer, Resolume Arena, Magix Vegas Pro & Movie Edit Pro Premium, Corel VideoStudio Pro, CyberLink PowerDirector, Vidblaster X & Studio & Broadcast, Uniplay One & CG, CasparCG Server, Magicsoft CG, Xsplit Broadcaster, Imagine Communications Velocity & InfoCaster, DevTek Easy Media Suite, Metus Ingest, Boinx Software MimoLive, Cinegy Capture Pro, vMix Live, Renewed Vision ProPresenter, Ventuz Director, Class X Liveboard & Coral CG, Glookast Capturer, Open Broadcaster Software Studio, Nautilus NEMO3D, Burst Video WebClip2Go & [REC]Marker.

Video Standards

SD Video Standards

525i59.94 NTSC, 625i50 PAL

HD Video Standards

720p50, 720p59.94, 720p60
1080p23.98, 1080p24, 1080p25,
1080p29.97, 1080p30, 1080p50,
1080p59, 1080p59.94, 1080p60
1080PsF23.98, 1080PsF24,
1080PsF25, 1080PsF29.97, 1080PsF30
1080i50, 1080i59.94, 1080i60

SDI Compliance

SMPTE 259M, SMPTE 292M, SMPTE
296M, SMPTE 372M, SMPTE 425M,
ITU-R BT.656 and ITU-R BT.601.

SDI Metadata Support

RP 188/SMPTE 12M-2 and closed
captioning.

Audio Sampling

Television standard sample rate of 48
kHz and 24 bit.

SDI Color Precision

8, 10, 12-bit RGB 4:4:4 in all modes up
to 1080p30 and 8, 10-bit YUV 4:2:2 in
all modes. 12-bit RGB 4:4:4 only
supported in playback.

SDI Video Sampling

8, 10, 12-bit RGB 4:4:4 in all modes up
to 1080p30 and 8, 10-bit YUV 4:2:2 in
all modes. 12-bit RGB 4:4:4 only
supported in playback.

Color Space

REC 601, REC 709

Processing

Colorspace Conversion

Hardware based real time.

HD Down Conversion

Built in, high quality software down converter on playback and capture. Down converted SD selectable between letterbox and anamorphic 16:9 styles.

HD Up Conversion

Built in, high quality software up converter from SD to 720HD or 1080HD on input. Selectable between 4:3 pillarbox, 14:9 zoom and 16:9 zoom.

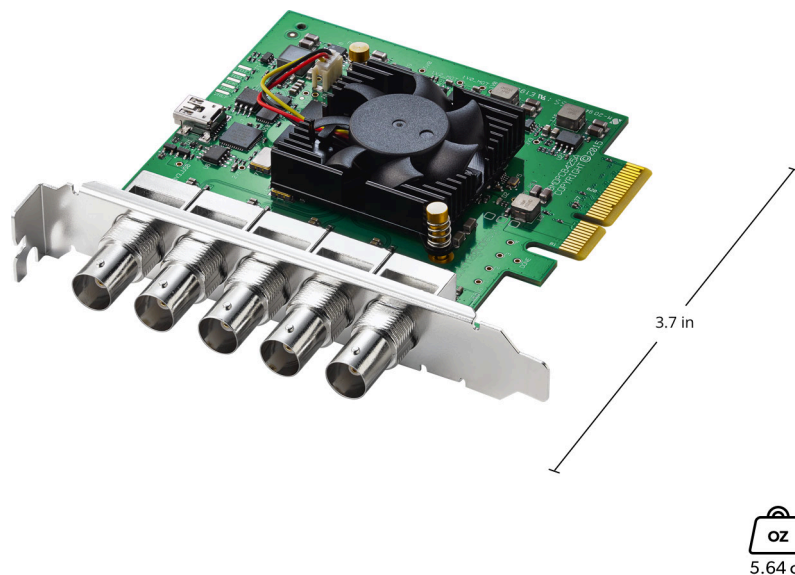
Cross Conversion

Built in, high quality software cross conversion from 720HD to 1080HD, 1080HD to 720HD on playback.

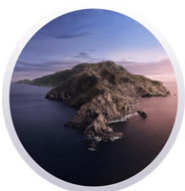
Real Time Effects

DaVinci Resolve, Final Cut Pro X internal effects. Adobe Premiere Pro CC Mercury Playback Engine effects. Avid Media Composer internal effects.

Physical Specifications



Operating Systems



Mac 10.14 Mojave,
Mac 10.15 Catalina or later.



Windows 7, 8.1 and 10, all 64-bit.



Linux

Power Requirements

Power Consumption

10 Watts

EMC Certifications

FCC, CE and C-Tick

Environmental Specifications

Operating Temperature

5° to 40 ° C (32° to 104° F)

Storage Temperature

-20° to 45° C (-4° to 113° F)

Relative Humidity

0% to 90% non-condensing

What's Included

DeckLink Duo 2

SD card with software and manual

Warranty

3 Year Limited Manufacturer's Warranty

All items on this website are copyright Blackmagic Design Pty. Ltd. 2019, all rights reserved.

All trademarks are property of their respective owners. MSRP includes duties, but excludes sales tax and shipping costs.

This website uses remarketing services to advertise on third party websites to previous visitors to our site.

You can opt out at any time by changing cookie settings. [Privacy Policy](#)

Blackmagic Design Authorized Reseller