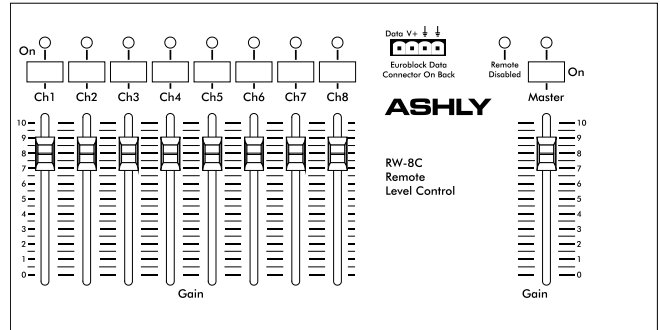
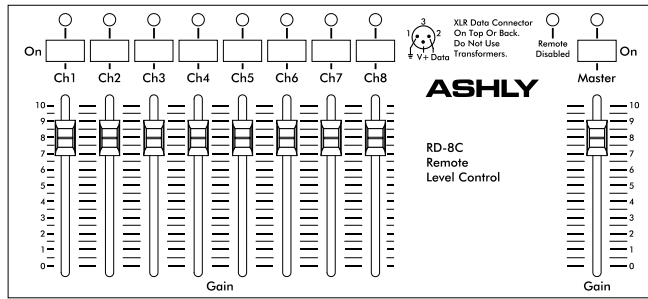




# RD-8C, RW-8C Remote Level Control



The RD-8C and RW-8C are eight channel programmable remote fader controllers for Ashly networkable products that have a remote Data connection. Products include the ne24.24M, ne8800/4800/4400 processors, Pema amplifiers, \*NE multichannel amplifiers, and \*nXe and nXp amplifiers. The RD-8C is a desktop model using an XLR data connector. The RW-8C is a wall-mount version, designed for a standard 4-gang US electrical box and uses a Euroblock connector. A master gain fader controls all eight channels, and a switch with LED enables each fader. Use Ashly Protea<sup>nc</sup> software to configure faders for DSP control.

**Connect:** Wire the RD-8C or RW-8C to it's host device as shown to the right. *Only one RD/RW-8C can be used per Ashly device, and no other serial communications devices, including the WR-5, can be used when an RD/RW-8C is connected to the host's data port.*

**Software Basics:** In the main Protea<sup>nc</sup> software control window, a properly connected RD/RW-8C will appear underneath its host device in the Ashly Network device tree. An online device is green, while an offline or disconnected device is red.

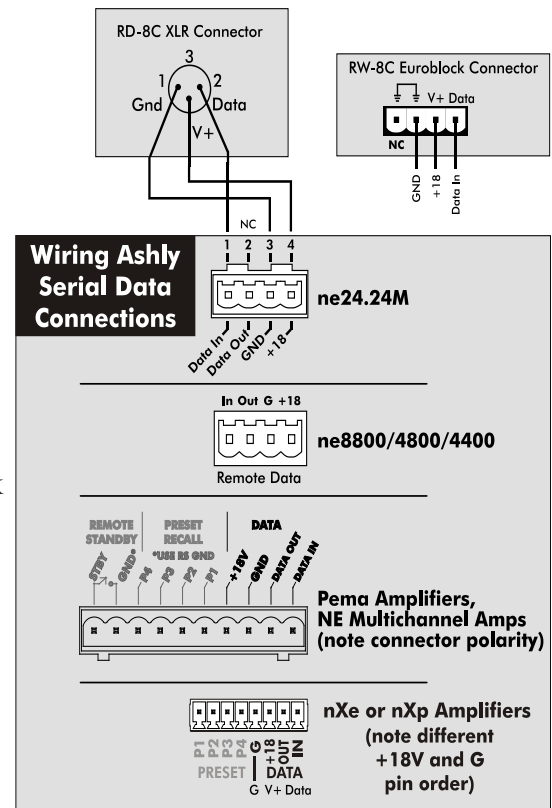
Ashly devices and remotes can be dragged onto the software project canvas to simulate physical rack and room installation groups. Editing each device can be done from either the network device tree or the canvas by double-clicking on it. Re-scanning for devices does not automatically remove canvas items which may have been installed at one time but are no longer available, they must be manually deleted by <Right Click - Delete>, or by using <Project - Clear Tab Page>.

The project canvas is used to visually represent a fixed physical sound system installation, and can display all Ashly processors, amplifiers, and remotes used in that system. Lines, rectangles, text, and image files can also be added

to create a custom virtual control screen along with the NE products and individual control objects. To see all available canvas tools, right click anywhere over open canvas. Checking <Design Mode> allows placed objects to be moved around, while unchecking <Design Mode> locks objects in place.

**Programming:** Faders can be assigned in Protea<sup>nc</sup> software to control user-defined DSP gain points on the host device. To configure a fader, first place a <Gain - Remote Gain> function in the host device's DSP signal path, then open that function and assign the RD8C fader number(s) you want to use to control that gain point. Multiple faders can control the same gain point, and one fader can control multiple gain points. Total attenuation for one gain point having multiple faders assigned to it is cumulative.

(Continued)



The RD/RW-8C can also be configured to control a DSP output matrix mixer. Open the DSP mixer function, check the box labeled <Assign RD8C Remote Mixer>, and each fader will now attenuate it's corresponding numbered channel in that mixer. Be sure that mixer inputs are routed properly and enabled. Note that the software allows for a fader to be used for both a DSP gain point *and* the DSP output mixer at the same time.

*\*Note: On nXe amplifiers or NE multi-channel amplifiers that do not have DSP installed, RD/RW-8C faders automatically function as direct remote output attenuators on corresponding channels. No RD/RW-8C software interface or attenuation read-back is available on amplifiers without DSP.*

<b>Specifications:</b>	<b>RD-8C</b>	<b>RW-8C</b>
Fader Range:	+10dB to -75dB	+10dB to -75dB
Connections:	XLR Male	Two-piece Euroblock
Max Data Cable Length:	1000 ft (305m) (with #24 gauge twisted pair)	1000 ft (305m)
Power Requirements:	phantom powered	phantom powered
Unit Weight:	1.4 lbs (0.63kg)	1 lbs (0.45kg)
Shipping Weight:	2 lbs (1kg)	2 lbs (1kg)
Dimensions:	7.3"(185mm)L 3.4(87)H 1.6(41)D	7.94"(202mm)L 4.0(103)H 0.8(20)D
Environmental:	40-120 deg. F (non-condensing)	40-120 deg. F (4-49 deg, C)

## FCC Compliance

This device complies with part 15 of the FCC Rules for class A operation, and is subject to the following two conditions:

1. This device may not cause harmful interference.
2. This device must accept any interference received, including interference that may cause undesired operation.

## Ashly Audio Inc. LIMITED WARRANTY (USA ONLY)

(Other countries please contact your respective distributor or dealer.)

**For units purchased in the USA**, warranty service for this unit shall be provided by ASHLY AUDIO, INC. in accordance with the following warranty statement.

ASHLY AUDIO, INC. warrants to the owner of this product that it will be free from defects in workmanship and materials for a period of FIVE years from the original-date-of-purchase. ASHLY AUDIO INC. will without charge, repair or replace at its discretion, any defective product or component parts upon prepaid delivery of the product to the ASHLY AUDIO, INC. factory service department, accompanied with a proof of original-date-of-purchase in the form of a valid sales receipt. This warranty gives you specific legal rights, and you may also have other rights, which vary from state to state.

**EXCLUSIONS:** This warranty does not apply in the event of misuse, neglect, or as a result of unauthorized alterations or repairs made to the product. This warranty is void if the serial number is altered, defaced, or removed. ASHLY AUDIO, INC. reserves the right to make changes in design, or make additions to, or improvements upon, this product without any obligation to install the same on products previously manufactured.

Any implied warranties, which may arise under the operation of state law, shall be effective only for FIVE years from the original-date-of-purchase of the product. ASHLY AUDIO, INC. shall be obligated to only correct defects in the product itself. ASHLY AUDIO, INC. is not liable for any damage or injury, which may result from, or be incidental to, or a consequence of, such defects. Some states do not allow limitations on how long an implied warranty lasts, or the exclusion, or limitation of incidental or consequential damages, so the above limitations or exclusions may not apply to you.

### **OBTAINING WARRANTY SERVICE:**

For warranty service in the United States, please follow this procedure:

1) Return the product to ASHLY AUDIO, INC. freight prepaid, with a written statement describing the defect and application that the product is used in. ASHLY AUDIO, INC. will examine the product and perform any necessary service, including replacement of defective parts, at no further cost to you.

2) Ship your product to:

ASHLY AUDIO, INC.  
Attention: Service Department  
847 Holt Road

Webster, NY 14580-9103

Ashly Audio Inc 847 Holt Rd Webster NY 14580  
585-872-0010 toll free 800-828-6308 fax 585-872-0739 ashly.com

©2015 by Ashly Audio Corporation, a division of Jam Industries, Ltd. All rights reserved worldwide.  
*All features, specifications, and graphical representations are subject to change or improvement without notice.*