

# OWI INC

## USER MANUAL: Model: AMP-HD2SIC6

---

### Speaker Combination Models

AMP-HD2SIC61 / AMP-HD2SIC62 / AMP-HD2SIC64  
AMP-HD2SIC61SVC / AMP-HD2SIC62SVC / AMP-HD2SIC64SV



**OWI Incorporated**  
17141 Kingsview Ave. Carson CA 90746-1207 USA  
Tel. 310-515-1900 Fax 310-515-1606

[info@owi-inc.com](mailto:info@owi-inc.com)  
[www.owi-inc.com](http://www.owi-inc.com)

Technical Support 310-515-1900

# OWI User Manual: Model AMP-HD2SIC6 Speaker Amplifier

## PROPRIETARY NOTICE

The OWI Inc. product information and design disclosed herein were originated by and are the property of OWI Inc. OWI Inc. reserves all patent, proprietary design, manufacturing, reproduction, use and sales rights thereto, and to any article disclosed therein, except to the extent right(s) are expressly granted to others.

## COPYRIGHT NOTICE

This manual is Copyright 2014 by OWI Inc. All rights reserved. Reproduction in whole or in part without written prior permission from OWI, Inc. is prohibited.

## UNPACKING AND INSPECTION NOTICE

Immediately upon receipt of the equipment, inspect the shipping container and the contents carefully for any discrepancies or damage. Should there be any, notify the freight company and OWI, Inc. or the dealer where purchased at once.

## LIMITED WARRANTY

1. This product has been thoroughly tested and inspected at the factory. It is warranted for one year from the date of purchase.  
IT IS THE OWNERS' RESPONSIBILITY TO ESTABLISH THE DATE OF PURCHASE BY ACCEPTABLE EVIDENCE AT TIME SERVICE IS SOUGHT.
2. Any unit, which in the judgment of OWI INC, is defective or develops defects under normal use will be replaced or repaired without cost within the warranty period.
3. This warranty will be considered void if the unit is dropped, misused, abused and altered in any manner, overdriven with excess amplification exceeding manufacturer's specification, improperly serviced or accidentally damaged.
4. OWI Inc. shall have no liability whatsoever for consequential damages. The sole responsibility at the discretion of OWI Inc. under this warranty shall be limited to the repair of the product or replacement thereof. Any and all implied warranties including the implied warranty of merchantability are limited to the duration of this express limited warranty.  
OWI, Inc. is NOT liable for incidental or consequential damages of any kind.
5. IMPORTANT: This warranty is void unless the attached card is completed and mailed to OWI Inc. within 10 days following the date of purchase. Units must be sent to OWI Inc. or to the dealer where purchased.

RETURN SHIPPING INSTRUCTIONS, Obtain a RETURN AUTHORIZATION from:  
OWI Inc., 17141 Kingsview Ave, Carson, CA 90746.  
Phone (310) 515-1900, Fax (310) 515-1606

FCC Notice: This equipment has been tested and found to comply with the limits for a Class A digital device, pursuant to part 15 of the FCC Rules. These limits are designed to provide reasonable protection against harmful interference when the equipment is operated in a commercial environment. This equipment generates, uses, and can radiate radio frequency energy and, if not installed and used in accordance with the instruction manual, may cause harmful interference to radio communications. Operation of this equipment in a residential area is likely to cause harmful interference in which case the user will be required to correct the interference at his or own expense.

Modifications not expressly approved by the manufacturer could void the user's authority to be operated under FCC rules.

**Table of Contents**

| <b>Description</b>                               | <b>Page</b>    |
|--|----------------|
| <b>Proprietary, Copyright Notices</b>            | <b>2</b>       |
| <b>Unpacking and Inspection</b>                  | <b>2</b>       |
| <b>Warranty Information</b>                      | <b>2</b>       |
| <b>Return Shipping Instructions</b>              | <b>2</b>       |
| <b>Table of Contents</b>                         | <b>3</b>       |
| <b>Important Safety Instructions</b>             | <b>4 - 5</b>   |
| <b>Introduction</b>                              | <b>6</b>       |
| <b>Specifications</b>                            | <b>7 - 8</b>   |
| <b>Illustration: Connection and Control</b>      | <b>9</b>       |
| <b>Chained Self Amplified Speakers Wiring</b>    | <b>10</b>      |
| <b>One, Two, Four Speaker Combination Wiring</b> | <b>11</b>      |
| <b>Input Connectors Wiring</b>                   | <b>12</b>      |
| <b>AMP-HD Wiring Diagram</b>                     | <b>13</b>      |
| <b>Volume Control Wiring Diagram</b>             | <b>14</b>      |
| <b>Installation</b>                              | <b>15 - 18</b> |
| <b>Warranty</b>                                  | <b>19</b>      |
| <b>Back Cover</b>                                | <b>20</b>      |
|  |                |
|  |                |
|  |                |
|  |                |

## IMPORTANT SAFETY INSTRUCTIONS



### CAUTION



**RISK OF ELECTRIC SHOCK - DO NOT OPEN**

**NOTE:** Installation is to be completed by a qualified electrical technician according to NEC/CEC code and applicable local codes.

**CAUTION:** The power supply is not to be used in air handling spaces.

**CAUTION:** To reduce the risk of electric shock: Do not remove the cover or back: No user-serviceable parts inside: refer servicing to qualified personnel.

The lightning flash with arrowhead within an equilateral triangle is intended to alert the user to the presence of uninsulated “dangerous voltage” within the product’s enclosure that may be of sufficient magnitude to constitute a risk of electric shock to persons.

The exclamation point within an equilateral triangle is intended to alert the user of the presence of important operating and maintenance (servicing) instructions in the literature accompanying the appliance.

The apparatus shall not be exposed to dripping or splashing and that no objects filled with liquids, such as vases, shall be placed on the apparatus.

### IMPORTANT SAFETY INSTRUCTIONS

1. Read these instructions. All the safety and operation instructions should be read before this OWI product is operated.
2. Keep these instructions - The safety and operating instructions should be kept for future reference.
3. Heed all warnings - All warnings on this product and in these operating instructions should be followed.
4. Follow all instructions - All operating and other instructions should be followed.
5. Do not use this apparatus near water - for example, near a bathtub, washbowl, kitchen sink, laundry tub, in a wet basement, near a swimming pool, or a swamp.
6. Clean only with dry cloth.
7. Do not block any ventilation openings. Install in accordance with the manufacturer’s instructions. - This OWI product should be situated so that its location or position does not interfere with its proper ventilation. For example, the component should not be situated on a bed, sofa, rug, or similar surface that may block any ventilation openings, or placed in a built-in installation such as a bookcase or cabinet that may impede the flow of air through ventilation openings.
8. Do not install the unit near any heat sources such as radiators, heat registers, stoves or other apparatus (including amplifiers) that produce heat.

9. Do not defeat the safety purpose of the polarized or grounding-type plug. A polarized plug has two blades with one wider than the other. A grounding type plug has two blades and a third grounding prong. The wider blade or the third prong is provided for your safety. If the provided plug does not fit into your outlet, consult an electrician for replacement of the obsolete outlet.
10. Protect the power cord from being walked on or pinched particularly at plugs, convenience receptacles, and the point where they exit the apparatus.
11. Only use attachment/accessories specified by the manufacturers.



Portable Cart Warning

12. Use only with the cart, stand, tripod, bracket or table specified by the manufacturer, or sold with the apparatus. When a cart is used, use caution when moving the cart/apparatus combination to avoid injury from tip-over.
13. Unplug this apparatus during lightning storms or when unused for long periods of time.
14. Refer all servicing to qualified service personnel. Servicing is required when the apparatus has been damaged in any way, such as power-supply cord or plug is damaged, liquid has been spilled or objects have fallen into the apparatus, the apparatus has been exposed to rain or moisture, does not operate normally, or has been dropped. The user should not attempt to service this OWI product beyond those means described in this operating manual. All other servicing should be referred to the OWI Service Department.
15. **WARNING:** To reduce the risk of fire or electric shock, do not expose this apparatus to rain or moisture.
16. To prevent electric shock, do not use this polarized plug with an extension cord, receptacle or other outlet unless the blades can fully be inserted to prevent blade exposure.
17. Exposure to extremely high noise levels may cause permanent hearing loss. Individuals vary considerably in susceptibility to noise-induced hearing loss, but nearly everyone will lose some hearing if exposed to sufficiently intense noise for a period of time. The U.S. Government's Occupational Safety and Health Administration (OSHA) has specified the permissible noise level exposures shown in the following chart. According to OSHA, any exposure in excess of these permissible limits could result in some hearing loss. To ensure against potentially dangerous exposure to high sound pressure levels, it is recommended that all persons exposed to equipment capable of producing high sound pressure levels use hearing protectors while the equipment is in operation. Ear plugs or protectors in the ear canals or over the ears must be worn when operating the equipment in order to prevent a permanent hearing loss if exposure is in excess of the limits set forth here.
18. OWI recommends that this apparatus be placed on a switched power outlet, one that switches both sides and has contact separation of at least 3 millimeters.

End of IMPORTANT SAFETY INSTRUCTIONS

# OWI User Manual: Model AMP-HD2SIC6 Speaker Amplifier

## Introduction

The OWI **AMP-HD2SIC6** is a three source integratable self powered speaker/amplifier. This speaker can drive up three additional speakers connected series parallel to have a net impedance of 8 ohms. With an included UL Listed, **Level 5** (Energy Star), 15 volt, 3.5 ampere power supply, the amplifier can output 40 watts, or 10 watts per speaker in a four speaker hook-up.

**Special features of the OWI Model AMP-HD2SIC6 include:**

***Three (3) audio inputs: Stereo 3.5 Mini Jack Line Input, Balanced Line Input, proprietary Cat 5 input for OWI Products only***

Input # 1 Stereo 3.5 Mini Jack Line Input - The JACK LINE IN accepts unbalanced input via 3.5 mini jack. The stereo channels are summed together. This input is muted when the Priority Override is in use.

Input # 2 Balanced Line Input - The **LINE IN** inputs accepts a balanced input via a Phoenix style screw terminal plug.

***Input # 2 has the Priority Override Feature connected to it.*** - The **Priority** input accepts balanced input levels 1 volt (approximately line level) audio and Speaker level at 1 watt or less. Audio on the **Priority** input suspends audio on the **3.5 mini jack and Cat 5 Inputs** and switches the speaker amplifier to pass the **Priority** audio. After the **Priority** audio stops, the unit waits before returning to the **Line In and Jack Line In** audio input.

**Input # 3 Cat 5 input - Proprietary Cat 5 input for OWI Products only. Use only with OWI MC4. Future models will work with the OWI AMPSTVCW volume control.**

***Priority Override Paging (POP) – The POP controls are the POP Trigger level and the POP Volume level***

***POP Volume Level – The POP Volume level is the level at which the speaker will play the POP Message. This level can be set from Zero to MAX***

***POP Trigger Level – Adjust this by rotating it from more to less sensitive. If this is too low it will not trigger the controller to switch. If it is set too high it will constantly stay on and not go back to the needed setting.***

## Switches

**POP / ALL SOURCES MIXED SWITCH –** When the amplifier is going to be used in a Priority Override mode place the switch to the Priority Override

Line Level/Speaker Level Switch – This is for the Priority Override input #2

## ***Balanced Line Level Output***

A nominal 0dB level, balanced output is available at LINE OUT. The source of this output is a balanced Line Output via a Phoenix style screw terminal plug.

## ***Power Amplifier Features***

The power amplifier outputs **2 times 20 watts or 40 watts total into 8 ohms** and 15VDC power. The class D power amplifier has reduced radiated electromagnetic interference (EMI) due to a special feature of the power amplifier, operating in a patented spread spectrum. The power amplifier protects itself from over-temperature, over-current, over-voltage conditions. The power amplifier will shut itself down during these conditions.

**IMPORTANT NOTE! This amplifier is intended for audio use only! Continuous sine wave drive into a load will cause the amplifier to shut itself down when it heats up.**

**SPECIFICATIONS (MODEL AMP-HD2SIC6)**

Mechanical "UL rating is dependent upon use of the Backcan and Tile Bridge"

|   | <b>SPECIFICATIONS</b>   |
|---|-------------------------|
|   | <b>AMP-HD2SIC6</b>      |
| Speaker Diameter                                      | 6.5 inches              |
| Weight of Amplifier/Speaker Assembly                  | 3.15 pounds             |
| Height of Amplifier/Speaker Assembly                  | 4.5 inches              |
| Backcan "Suitable for use in air handling spaces"     | UL Listed Enclosure     |
| Tile Bridge "Suitable for use in air handling spaces" | UL Listed Support Truss |

| <b>ELECTRICAL AMPLIFIER</b>          | <b>SPECIFICATIONS</b>                |
|--------------------------------------|--------------------------------------|
|                                      | <b>AMP-HD2SIC6</b>                   |
| Input voltage, nominal               | (25 watts) 15 volts DC               |
| Input current, operating (15VDC)     | 1.45 amperes peak                    |
| Input volt-amperes, peak (15VDC)     | 22 volt-amperes                      |
| Input voltage, maximum               | 16.5 volts, DC                       |
| <b>Frequency Response,</b>           |                                      |
| EQ set to flat                       | 20Hz to 20 kHz                       |
| Bass                                 | ±10dB@50Hz                           |
| Treble                               | ±10dB@10kHz                          |
| THD + Noise                          | <1% at 13.5 watts, "A" weighted      |
| S/N                                  | >82 dB                               |
| Max Power Output (28V in)            | 40 watts                             |
| DC Power, Standby                    | 1.4 watts                            |
| AC Power, Sleep Mode                 | 1.4 watts                            |
| <b>DC Power,</b>                     |                                      |
| Short Circuit protected              | Yes                                  |
| Over current protected               | Yes                                  |
| Over voltage protected               | Yes                                  |
| Over temperature protected           | Yes                                  |
| Minimum Load Impedance               | 4.0 Ω (Two 8 Ω Speakers in parallel) |
| Minimum Input impedance, Priority in | 10,000 Ω                             |
| Minimum Input impedance, RJ45 in     | 150,000 Ω                            |
| Minimum Input impedance, mini-jack   | 37,000 Ω                             |
| Warranty                             | 1 year                               |

**POWER SUPPLY**

| <b>PS15VDC35AL5</b>      | <b>SPECIFICATIONS</b>  |
|--------------------------|--|
| Input                    | 100 to 240 VAC, 50-60 Hz, 1.4A<br><b>Note: Be sure to use the correct polarity on the power input.</b> |
| Output                   | 15 VDC, 3.5 amperes  |
| Wire gauge and length    | Minimum 18 gauge up to 40 feet maximum length  |
| Electrical, Power Supply | UL Listed, <b>Level 5</b> (Energy Star)  |
| Weight                   | 0.45 pounds  |
| Size                     | 4.7"H x 2"W x 1.2"D  |

OWI User Manual: Model AMP-HD2SIC6 Speaker Amplifier

**CAUTION: The Power Supply is not to be used in air handling spaces.**

*\*Note: Maximum power requires the replacement of the 15 volt supply with a 22 volt supply and Energy Star and UL approvals no longer apply.*

*Power Supply Wire Gauge and Length - Minimum 18 gauge up to 40 feet maximum length*

PS15VDC35AL5 Grounding Illustration

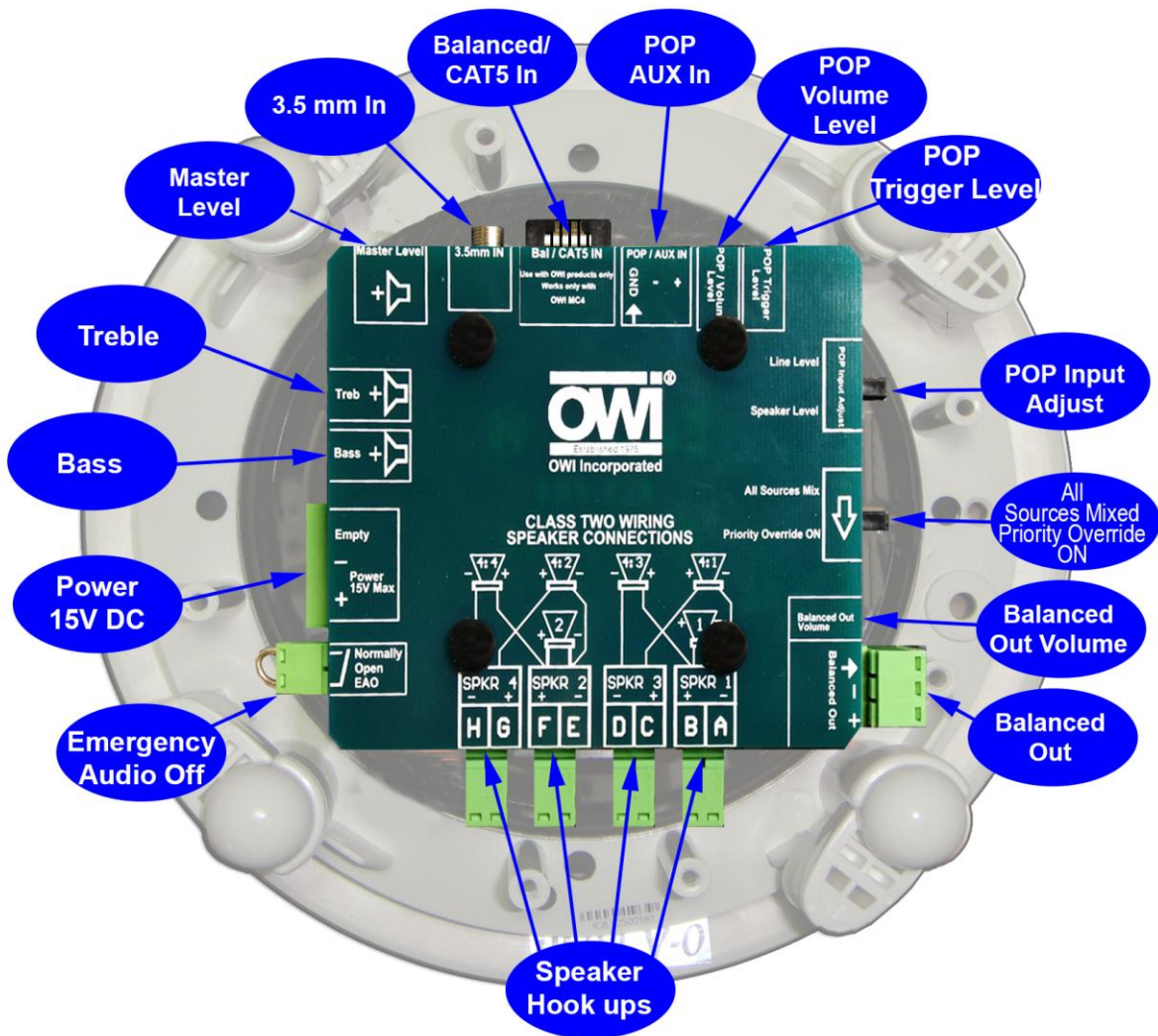


| NON-AMPLIFIED SPEAKER                                 | SPECIFICATIONS       |
|---|----------------------|
|   | <b>IC6</b>           |
| <b>DESCRIPTION:</b>                                   | 6.5", 2-way, coaxial |
| <b>IMPEDANCE:</b>                                     | 8 ohms               |
| <b>SENSITIVITY (1W/1M):</b>                           | 86dB                 |
| <b>DISPERSION:</b>                                    | 120 degrees          |
| <b>MAX POWER (8 Ohms)</b>                             | 50 watts             |
| <b>NOMINAL POWER (8 Ohms)</b>                         | 25 watts             |
| <b>FREQUENCY RESPONSE:</b>                            | 65Hz ~ 20 kHz        |
| <b>WOOFER SIZE:</b>                                   | 6.5"                 |
| <b>WOOFER MATERIAL:</b>                               | Paper, PP coated     |
| <b>TWEETER SIZE:</b>                                  | 0.5"                 |
| <b>TWEETER MATERIAL:</b>                              | PEI                  |
| <b>GRILL MATERIAL:</b>                                | Aluminum             |
| <b>OVERALL DIMENSIONS (Diameter X Height): Inches</b> | Φ8.93*3.45           |
| <b>CUT OUT SIZE (Diameter): Inches</b>                | Φ7.68                |
| <b>WEIGHT: lbs.</b>                                   | 2.5                  |
| <b>MOUNTING HARDWARE:</b>                             | Mounting Clamps      |

End of Specifications



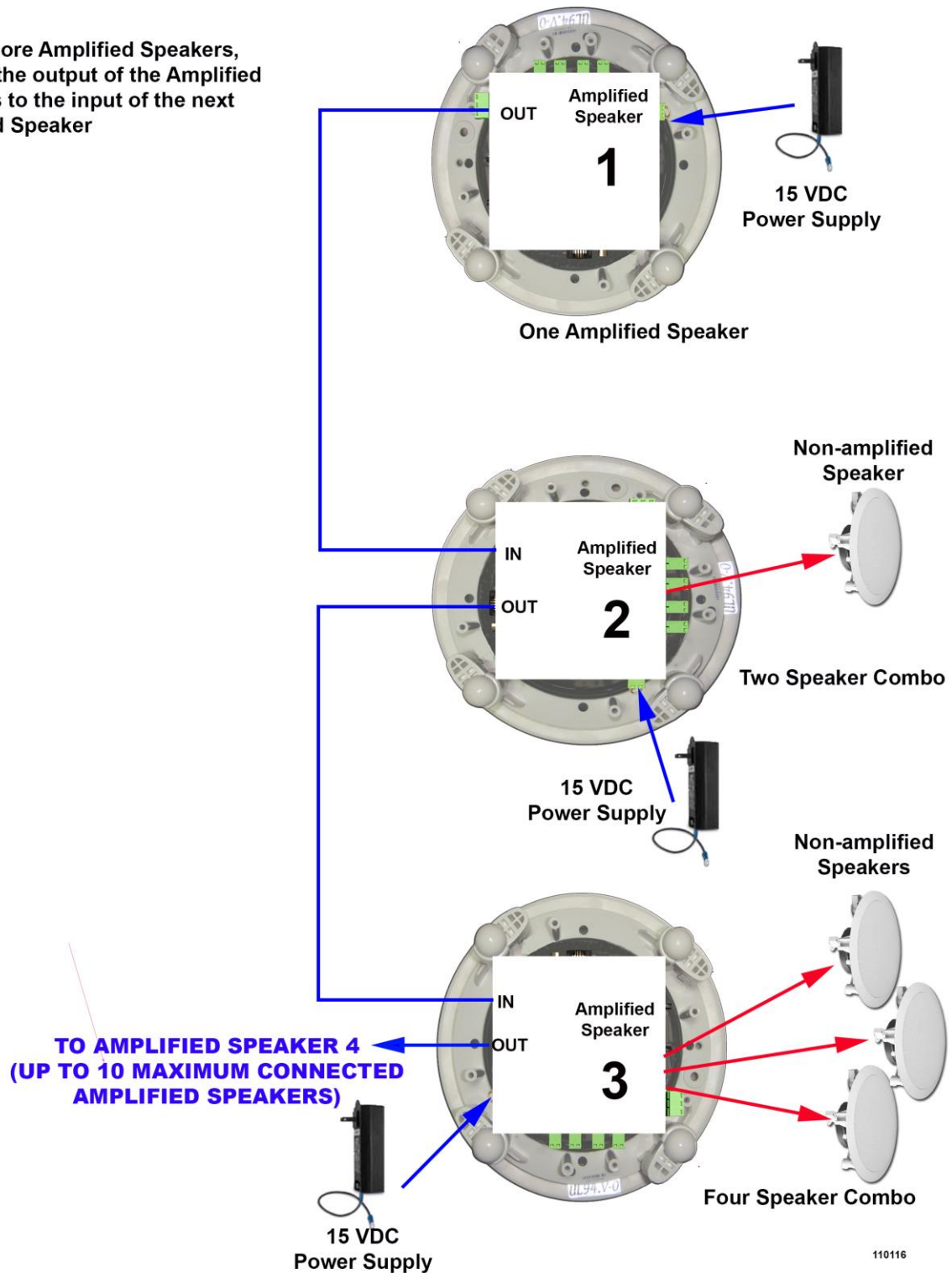
## Illustration: Connection and Control



# AMP-HD TO ANOTHER AMP-HD SPEAKER WIRING SINGLE LINE DIAGRAM

## Chained Self Amplified Speakers Wiring

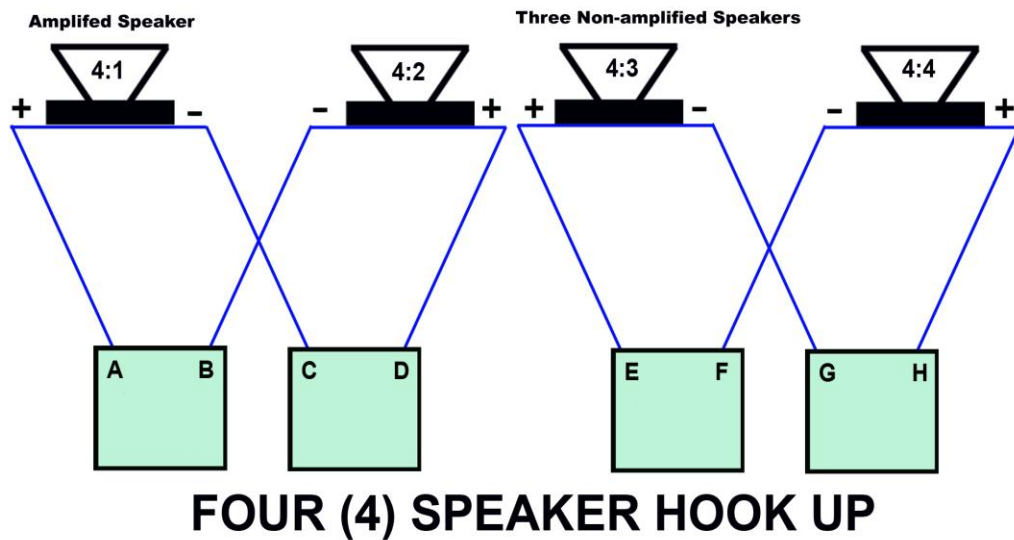
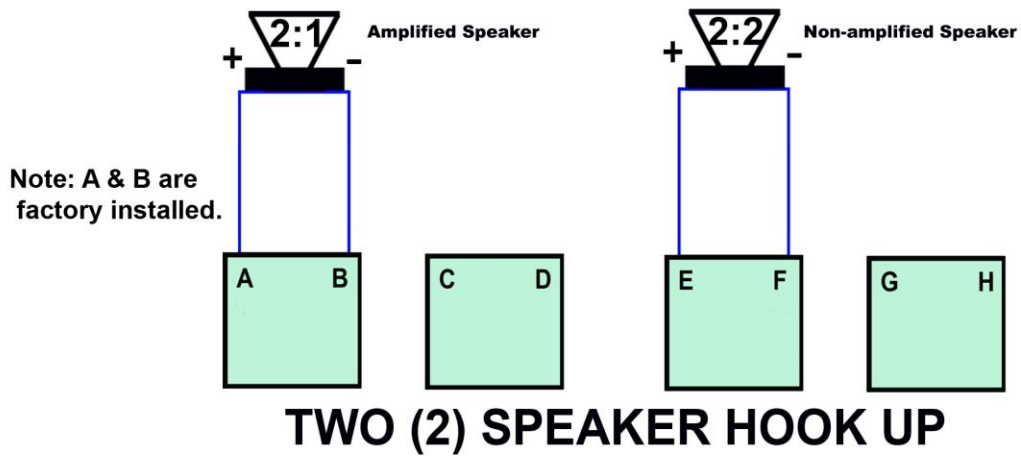
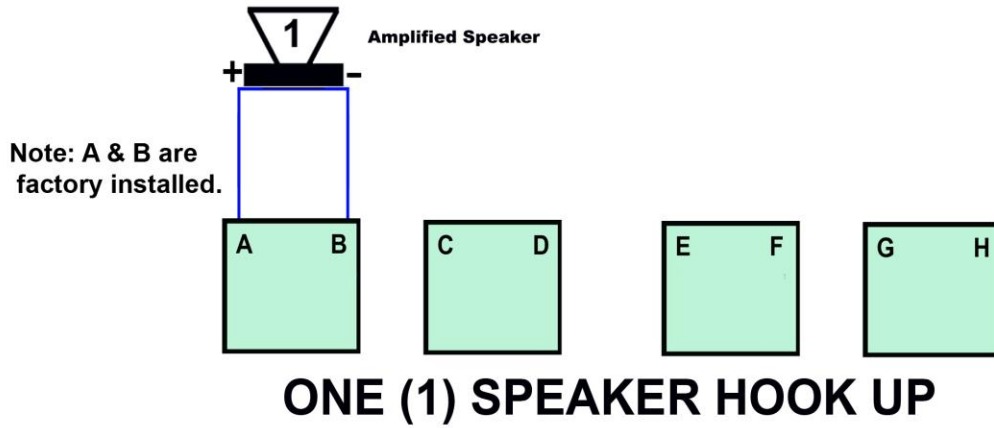
To add more Amplified Speakers, connect the output of the Amplified Speakers to the input of the next Amplified Speaker



110116

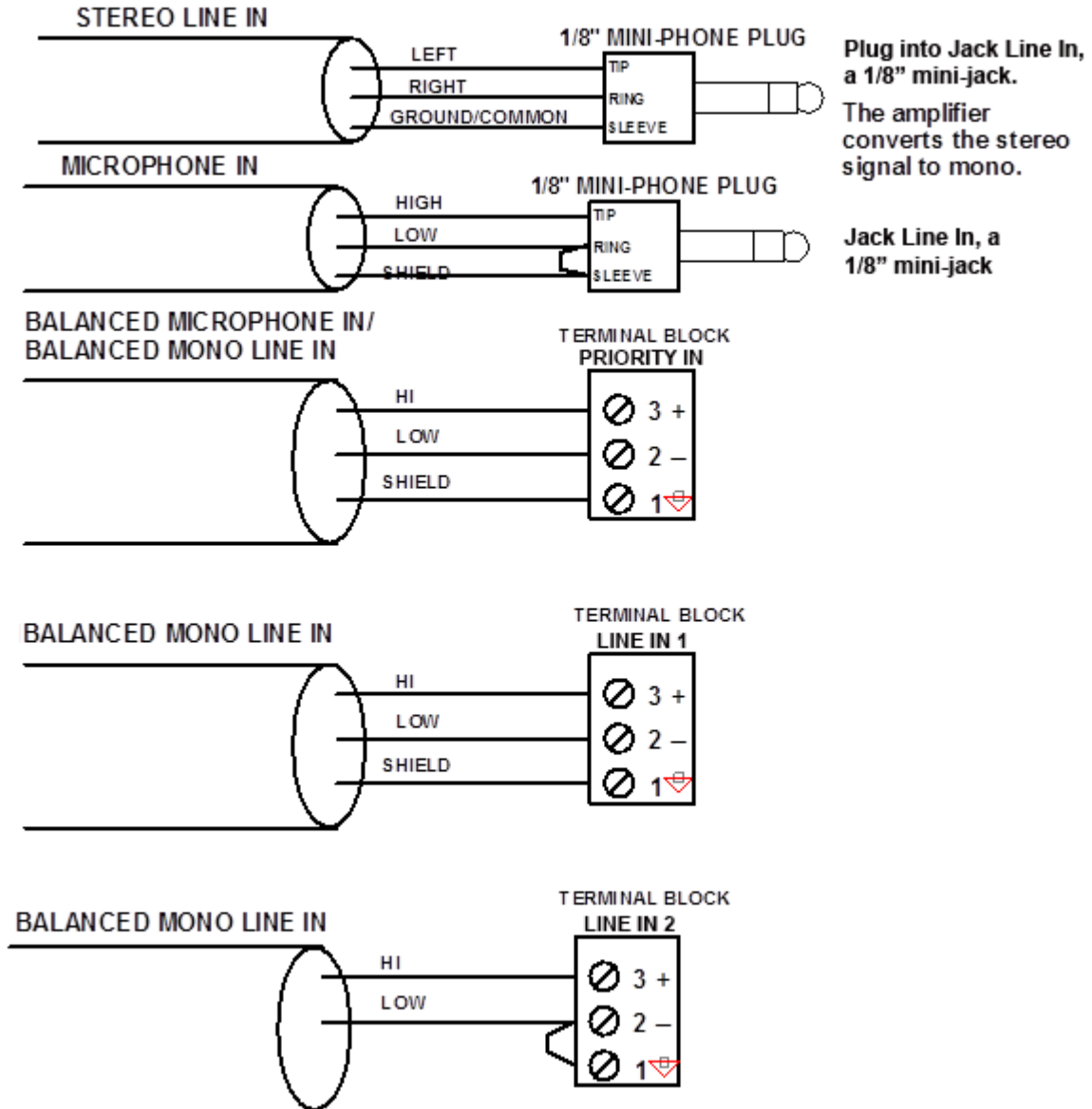
## One, Two, Four Speaker Combination Wiring

### AMPLIFIED SPEAKER TO NON-AMPLIFIED SPEAKER HOOK UPS

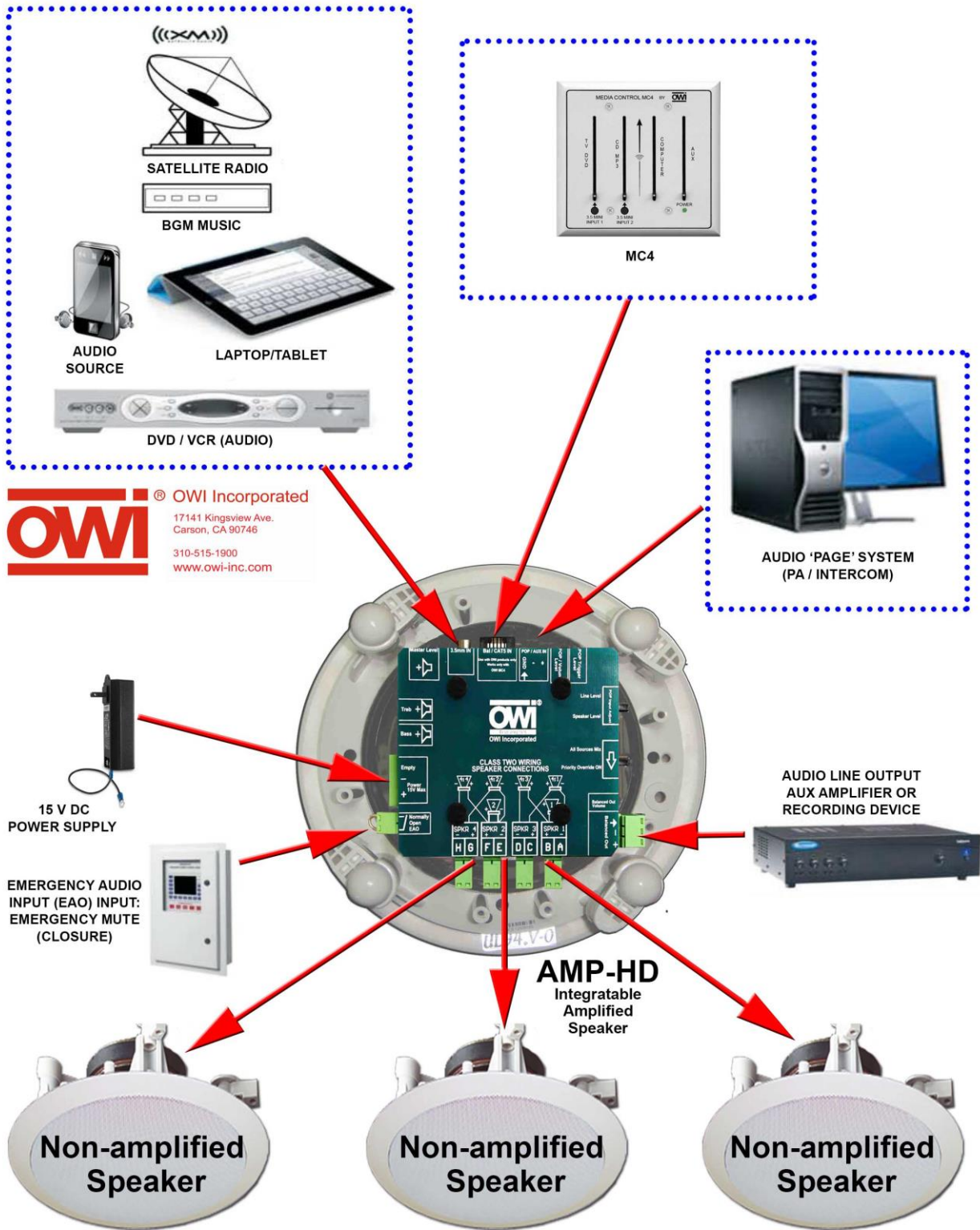


### INPUT CONNECTORS WIRING

Note: Jack Line In is the same as STEREO LINE IN, immediately below.



# OWI AMP-HD WIRING DIAGRAM

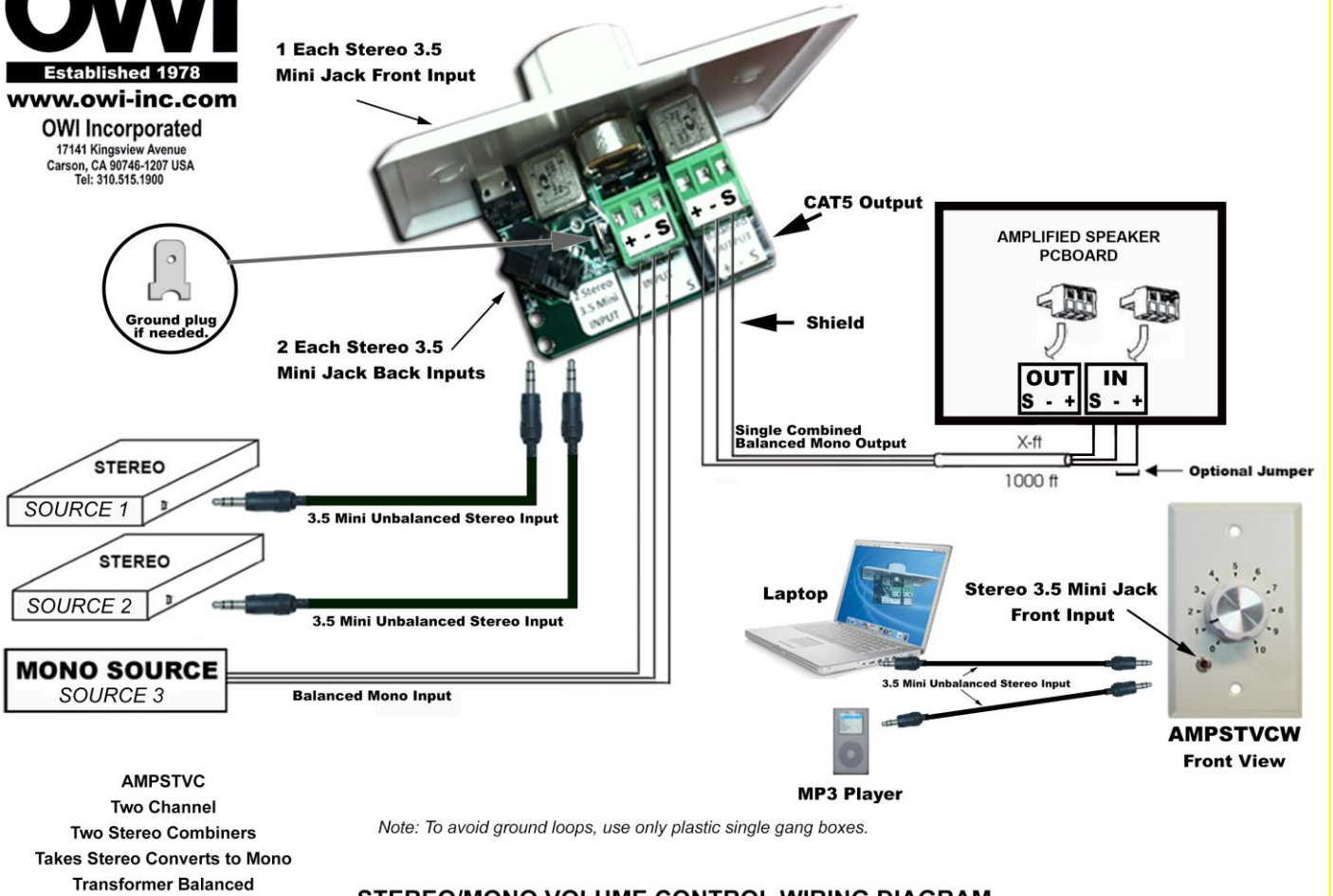


110316

VOLUME CONTROL WIRING DIAGRAM



**MODEL AMPSTVCW**  
Stereo/Mono Mixer Volume Control



STEREO/MONO VOLUME CONTROL WIRING DIAGRAM

09/17/15

## INSTALLATION

**NOTE: Installation is to be completed by a qualified electrical technician according to NEC/CEC code and applicable local codes.**

### Installation Instructions for Speaker Combination Model AMP-HD2SIC6

The **AMP-HD2SIC6** carton includes:

1. One (1) each AMP-HD2SIC6 (In-ceiling 3 Source Amplified Speaker)
2. One (1) each UL Listed, Level 5 (Energy Star) Power Supply (*electrical wire not included*)
3. Four (4) each Mounting screws
4. One (1) each cardboard mounting template
5. One (1) each User Manual

The **AMP-HD2SIC6** Combination carton includes items 1 to 5 above plus the following:

1. UL Listed 8 ohms in-ceiling speaker model IC6
2. UL Listed Backcan Enclosure (See Pages 17 & 18)
3. UL Listed Tile Bridge (See Pages 17 & 18)

*\*Note: Quantity of Ceiling speakers, tile bridge and backcan depends on the SKU of the AMP-HD Combination Program.*

### Speaker Placement

Before installing your OWI speakers, consider the placement carefully, taking into effect the location of electrical, plumbing and other fixtures.

### Placement in Ceiling

OWI speakers should be located above the primary listening area.

### Mounting your OWI speakers

Determine the best area to mount your OWI speakers. It will be necessary to run your speaker wires to that location. This location must be free of obstructions, such as electrical conduits, HVAC ducts, or water lines.

Be sure the mounting surface is between 3/8 and 1 ¼ inches thick and that there is at least a 3 inch clearance behind the mounting surface (5 inch if using an OWI backcan). Make sure that no objects block the back of the speaker.

Remove the round cardboard disc from the template supplied and keep it for later use as a paint mask, if you decide to paint your speakers.

Use the template to mark the position for the mounting hole at the selected location. If you are not certain that no obstruction exists (electrical wiring, plumbing, etc.), you should start by cutting a small hole in the center of your penciled mounting hole with a drywall or keyhole saw, cutting at a 45 degree angle towards the inside of the hole. Cutting a small hole at this angle will make drywall repair much easier. Once you have determined there are no obstructions in

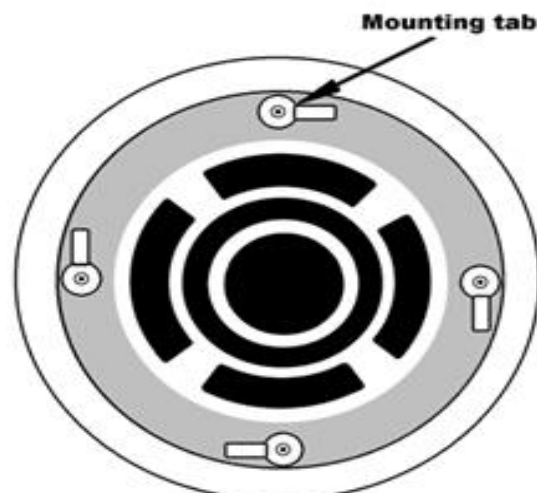
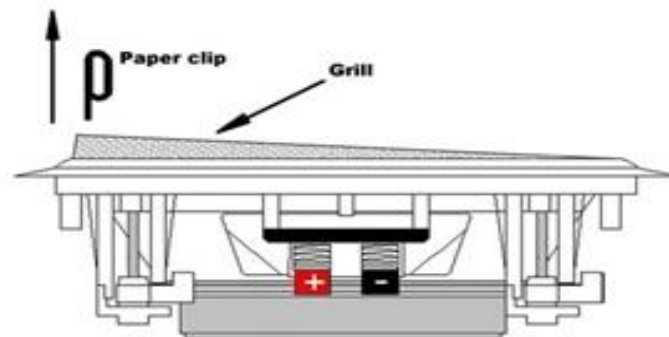
your desired mounting location, start cutting the finished hole at a 90 degree angle to the ceiling surface.

Route the speaker wires from your amplifier to your opening. Avoid routing the speaker wire near electrical wires. If you have to run them parallel, make certain to space the speaker wires at least 2 feet from the AC line. Do not nail or staple the speaker wire.

### **Prepare Your OWI Speakers for Mounting**

Insert a paper clip into one of the grille openings, then pull upwards to remove the grille.

Turn the mounting tab 90° and push toward the grill. The grill will safely pop off.



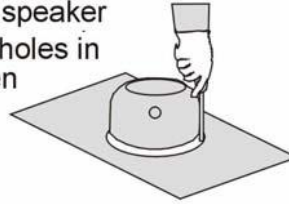
Be sure to position the four Mounting Tabs on your OWI speaker inward then insert the four (4) screws (supplied) from the front of the speaker into the screw opening.



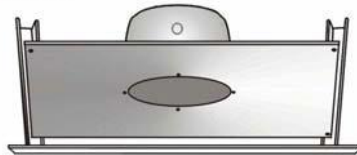
## DRYWALL/STUCKO/SHEET ROCKS CEILING ASSEMBLY

### **The Quick and Easy Way to Install the OWI TB (Tile Bridge) and the Backcan Enclosure with a 6-1/2" or 5-1/4" OWI In-Ceiling Speaker.**

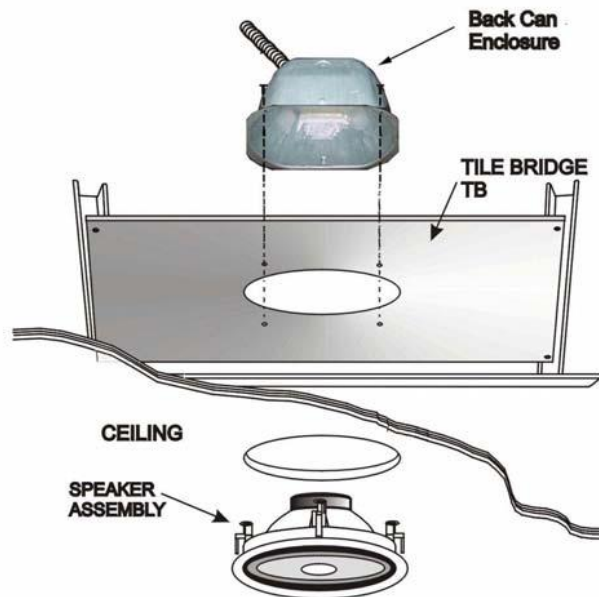
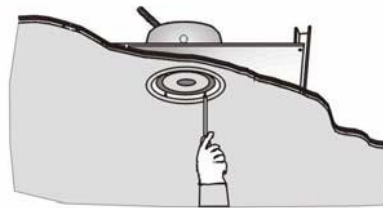
1. Position the enclosure over the speaker hole and align it with the screw holes in the tile bridge. Insert and tighten 4 screws through the enclosure into the holes on top of the tile bridge.



2. Insert and tighten four screws to attach the tile bridge to the beam.



3. After hole is cut in the ceiling, connect the wires and install the speaker by tightening the screws of the four clamps.



**OWI INCORPORATED**  
17141 Kingsview Avenue, Carson, CA 90746-1207 USA  
Tel: 310.515.1900 Fax: 310.515.1606  
Email: info@owi-inc.com Website: www.owi-inc.com

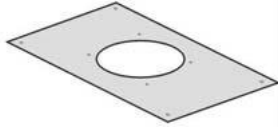
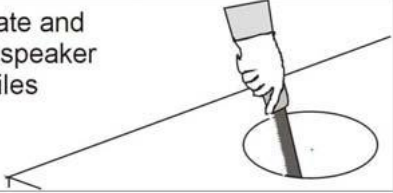
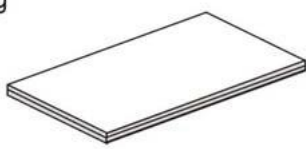
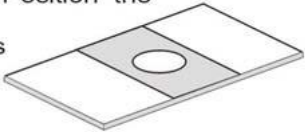
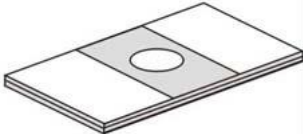
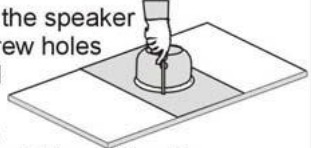
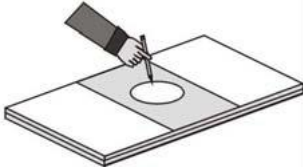
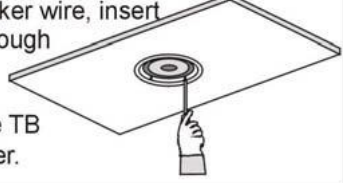




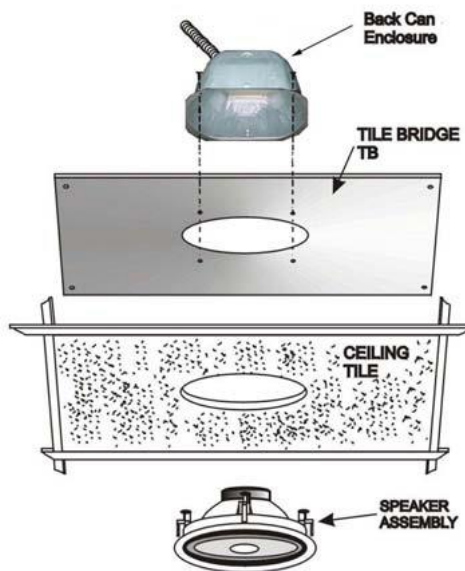
**OWI INCORPORATED**  
 17141 Kingsview Avenue, Carson, CA 90746-1207 USA  
 Tel: 310.515.1900 Fax: 310.515.1606  
 Email: info@owi-inc.com Website: www.owi-inc.com



**The Quick and Easy Way to Install the OWI TB (Tile Bridge) and the Backcan Enclosure with a 6-1/2" or 5-1/4" OWI In-Ceiling Speaker.**  
**The TB will work on a 2' X 4', 2' X 2' lay-in type ceilings.**

|  |   |
|--|---|
| <p>1. Use one tile bridge (TB) as a template to make cut outs for all the ceiling tiles.</p>                | <p>5. Remove the template and saw out the circle (speaker hole). Set ceiling tiles aside.</p>    |
| <p>2. To save time, cut 2 ceiling tiles at the same time. Lay the ceiling tile face to face.</p>            | <p>6. Place one ceiling tile face down on the floor or on top of a table. Position the TB tile bridge across the tile with the speaker holes coinciding with each other.</p>   |
| <p>3. After finding the center of the ceiling tile, position the tile bridge template across the tile.</p>  | <p>7. Position the enclosure over the speaker hole and align it with the screw holes in the tile bridge. Insert and tighten 4 screws through the enclosure into the holes on top of the tile bridge through the ceiling tile.</p>  |
| <p>4. Draw a circle using the speaker hole of the template (tile bridge).</p>                             | <p>8. After connecting the speaker wire, insert the speaker assembly through the hole and tighten the screws of the 4 clamps. The 4 clamps will hold the TB and the ceiling tile together.</p>                                    |

**TEE BAR CEILING ASSEMBLY**



**OWI SPEAKER SYSTEM LIMITED WARRANTY REGISTRATION**

(Save this portion for your records)


1. Your OWI Speaker System has been thoroughly tested and inspected at the factory. It is warranted for 1 year from date of purchase.  
IT IS THE OWNERS' RESPONSIBILITY TO ESTABLISH THE DATE OF PURCHASE BY ACCEPTABLE EVIDENCE AT TIME SERVICE IS SOUGHT.
2. WHAT WE WILL PAY FOR AND WHAT YOU MUST PAY FOR:  
OWI INC. will repair or replace unit(s) covered by this warranty, without charge to the consumer for labor or materials. YOU ARE RESPONSIBLE FOR ANY INSTALLATION OR REMOVAL CHARGES AND FOR ANY INITIAL SHIPPING CHARGES if the unit(s) must be shipped for warranty service. However, we will pay the return shipping charges to any destination within the U.S.A. if the repairs are covered by the warranty.
3. Any unit which in the judgment of OWI Inc. is defective or develops defects under normal use will be replaced or repaired without cost within the warranty period.
4. This warranty will be considered void if unit has been dropped, misused, abused, altered in any manner, overdriven with excessive amplification exceeding manufacturer's specification, improperly serviced or accidental damage.
5. OWI Inc. shall have no liability whatsoever for consequential damage. The sole responsibility and discretion of OWI Inc. under this warranty shall be limited to the repair of the product or replacement thereof.
6. IMPORTANT: This warranty is void unless the attached card is completed and mailed to OWI Inc. within 10 days following the date of purchase. Units must be sent to OWI Inc. or to the dealer where purchased.

**OWI INCORPORATED**  
**17141 Kingsview Ave**  
**Carson, CA 90746-1207 USA**

**Date Purchased:** \_\_\_\_\_  
**Model Number:** \_\_\_\_\_  
**Serial Number:** \_\_\_\_\_

(Keep this part for your record)

-----CUT AND MAIL-----

 **OWI INCORPORATED**  
**17141 Kingsview Ave**  
**Carson, CA 90746-1207 USA**

**LIMITED WARRANTY**

Model Number: \_\_\_\_\_  
 Model Name: \_\_\_\_\_  
 Serial No. \_\_\_\_\_  
 Date of Purchase: Month: \_\_\_\_\_ Day \_\_\_\_ Year \_\_\_\_\_  
 Owner's Name: \_\_\_\_\_  
 Address: \_\_\_\_\_  
 City: \_\_\_\_\_ State \_\_\_\_\_ Zip \_\_\_\_\_  
 Dealer's Name: \_\_\_\_\_ City \_\_\_\_\_ State \_\_\_\_\_  
 Purchased from (please check one):  
 Video \_\_\_\_\_, Electronic \_\_\_\_\_, Mailorder \_\_\_\_\_, Mass Merchandiser \_\_\_\_\_, Installer \_\_\_\_\_  
 Others (please specify) \_\_\_\_\_  
 Remarks: \_\_\_\_\_



OWI Incorporated  
Established 1978

**OWI Incorporated**

17141 Kingsview Ave. Carson CA 90746-1207 USA  
Tel. 310-515-1900 Fax 310-515-1606

[www.owi-inc.com](http://www.owi-inc.com)