

Zone Output Module (Slave)

ECS-6216MS



OVERVIEW

The ECS-6216MS allow the addition of 16 output zones to the system 6000. Up to 9 units can be added giving the system up to 160 output zone capacity. Each unit also offer 16CH GPI sensor input for messaging, event and scenario triggering.

FEATURES

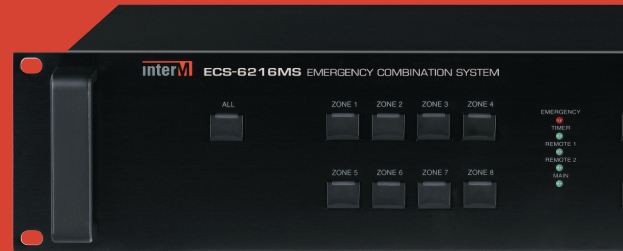
- 8 Audio Bus input
- 16 output zones
- 16CH GPI sensor input
- RS-485 communication
- Front panel manual control

SPECIFICATIONS

		ECS-6216MS
Channel		16CH
Communications Protocol	LINK IN/OUT	RS-485 (1km)
	Source & Voice File	RS-232 (12m)
Fire Sensor		Dry Contact
Operating Temperature		-10°C ~ +40°C/14°F~104°F
Power Source		DC 24V, 600mA
Weight (Set)		4.3kg/9.5lbs
Dimensions (Set)		482(W)x88(H)x280(D)mm/19(W)x3.5(H)x11(D)in

* Specifications and design are subject to change without notice.

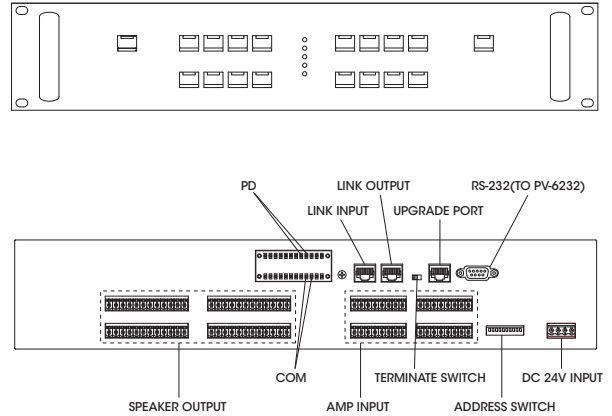
ZONE OUTPUT MODULE (SLAVE)



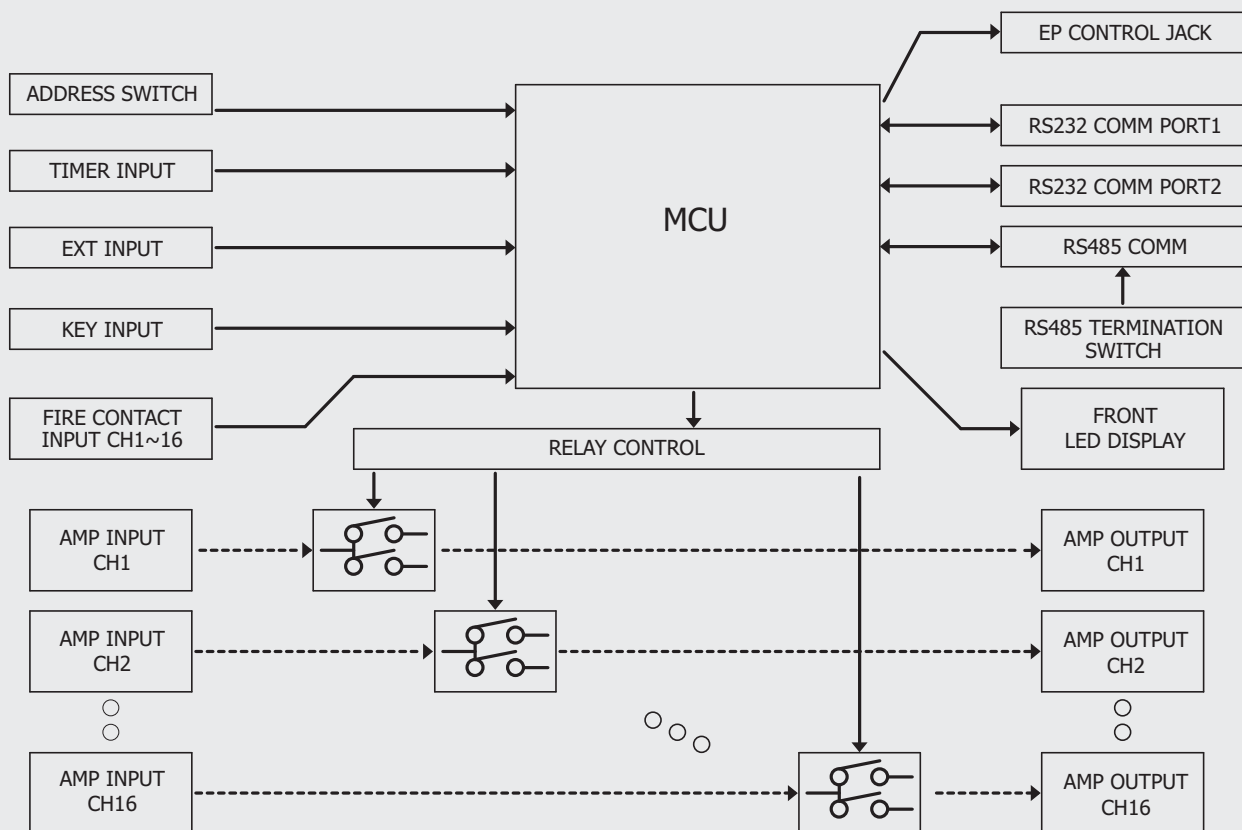
APPLICATION

Our technology can be found in schools, hospitals, malls, campus, transportation, correctional facilities and a variety of commercial and industrial applications.

- * Education facilities
(Elementary / high school / College /University / Training Institute, etc)
- * Commercial establishments
(Department stores, Shopping centers, multiplex cinemas, hospitals, etc.)
- * Public facilities
(Government offices, transportation, stations, terminal, exhibition hall, factory, resorts, etc.)



BLOCK DIAGRAM



Inter-M Corporation

- Office : 653-5 BANGHAK-DONG, DOBONG-GU, SEOUL, KOREA
 - Tel : +82-2-2289-8140~8, Fax : +82-2-2289-8149
 - Home page: <http://www.inter-m.com>, E-mail: overseas@inter-m.com

Inter-M Corporation (USA)

- Office : 14730 E. FIRESTONE BLVD #312 LA MIRADA, CA 90638
 - Tel : +1-714-523-1870, Fax : +1-714-523-1882
 - Home Page : <http://www.inter-m.net>, E-mail : info@inter-m.net