

# Operation Manual

## Monitor Panel **PM-6228**



\* Rack mount products in the Western Hemisphere(North America, South America, and the Caribbean) do not have handles installed due to customer preference.

**interM**

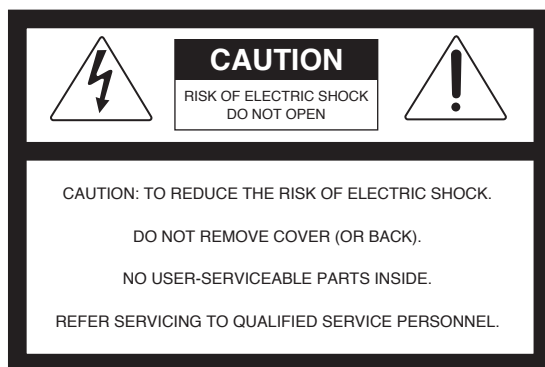
# Welcome

## A personal welcome to you from the management and employees of Inter-M

All of the co-workers here at Inter-M are dedicated to providing excellent products with inherently good value, and we are delighted you have purchased one of our products.

We sincerely trust this product will provide years of satisfactory service, but if anything is not to your complete satisfaction, we will endeavor to make things right.

Welcome to Inter-M, and thank you for becoming part of our worldwide extended family!



This symbol is intended to alert the user to the presence of uninsulated “dangerous voltage” within the product’s enclosure that may be of sufficient magnitude to constitute a risk of electric shock to persons.



This symbol is intended to alert the user to the presence of important operation and maintenance (servicing) instructions in the literature accompanying the appliance.

Caution: To prevent electric shock do not use this (polarized) plug with an extension cord, receptacle or other outlet unless the blades can be fully inserted to prevent blade exposure.

Attentions: Pour prévenir les chocs électriques ne pas utiliser cette fiche polarisée avec un prolongateur, une prise de courant ou une autre sortie de courant, sauf si les lames peuvent être insérées à fond sans en laisser aucune partie à découvert.

## WARNING

To prevent fire or shock hazard, do not expose the unit to rain or moisture.

\*WARNING FOR YOUR PROTECTION PLEASE READ THE FOLLOWING-WATER AND MOISTURE: Unit should not be used near water(e.g. near a bathtub, washbowl, kitchen sink, laundry tub, in a wet basement, or near a swimming pool, etc). Care should be taken so than objects do not fall and liquids are not spilled into the enclosure through openings.

\*Do not install this equipment in a confined space such as a book case or similar unit.

\*This apparatus shall not be exposed to dripping or splashing and no objects filled with liquids, such vases, shall be placed on the apparatus.

\*This apparatus shall be connected to a mains socket outlet with a protective earthing connection.

\*It has heed to be easy to disconnect the device. To disconnect the device from power, separate AC input cable from inlet or unplug the AC Cord.

\*The socket-outlet shall be installed near the equipment and shall be easily accessible.

## CAUTION

\*These servicing instructions are for use by qualified service personnel only. To reduce the risk of electric shock, do not perform any servicing other than that contained in the operating instructions unless you are qualified to do so.

## NOTE

\*This equipment has been tested and found to comply with the limits for a Class A digital device, pursuant to Part 15 of the FCC Rules. These limits are designed to provide reasonable protection against harmful interference when the equipment is operated in a commercial environment. This equipment generates, uses, and can radiate radio frequency energy and, if not installed and used in accordance with the instruction manual, may cause harmful interference to radio communications. Operation of this equipment in a residential area is likely to cause harmful interference in which case the user will be required to correct the interference at his own expense.

# Contents

<b>Unpacking</b> .....	2
<b>Installation</b>	
Environment .....	2
Important Safety Instructions .....	2
<b>Features</b> .....	3
<b>Operation</b> .....	3
<b>Front Panel</b> .....	4
<b>Rear Panel</b> .....	5
<b>Applications</b> .....	6
<b>Block Diagram</b> .....	7
<b>Specifications</b> .....	8
<b>Service</b>	
Procedures .....	9
Schematic .....	9
Parts List .....	9
<b>Warranty</b> .....	9

## Unpacking

Although your PM-6228 is neither complicated nor difficult to operate, we recommend you take a few minutes to read this brief manual and familiarize yourself with the important information regarding product features, setup and operation.

As with most electronic devices, we strongly recommend you retain the original packaging. In the unlikely event the product must be returned for servicing, the original packaging (or reasonable equivalent) is required.

## Installation

### Environment

Never place this product in an environment which could alter its performance or reduce its service life. Such environments usually include high levels of heat, dust, moisture, and vibration.

## IMPORTANT SAFETY INSTRUCTIONS

1. Read these instructions.
2. Keep these instructions.
3. Heed all warnings.
4. Follow all instructions.
5. Do not use this apparatus near water.
6. Clean only with dry cloth.
7. Do not block any ventilation openings. Install in accordance with the manufacturer's instructions.
8. Do not install near any heat sources such as radiators, heat registers, stoves, or other apparatus (including amplifiers) that produce heat.
9. Do not defeat the safety purpose of the polarized or grounding-type plug. A polarized plug has two blades with one wider than the other. A grounding type plug has two blades and a third grounding prong. The wide blade or the third prong are provided for your safety. If the provided plug does not fit into your outlet, consult an electrician for replacement of the obsolete outlet.
10. Protect the power cord from being walked on or pinched particularly at plugs, convenience receptacles, and the point where they exit from the apparatus.
11. Only use attachments/accessories specified by the manufacturer.
12. Use only with the cart, stand, tripod, bracket, or table specified by the manufacturer, or sold with the apparatus. When a cart is used, use caution when moving the cart/apparatus combination to avoid injury from tip-over.
13. Unplug this apparatus during lightning storms or when unused for long periods of time.
14. Refer all servicing to qualified service personnel. Servicing is required when the apparatus has been damaged in any way, such as power-supply cord or plug is damaged, liquid has been spilled or objects have fallen into the apparatus, the apparatus has been exposed to rain or moisture, does not operate normally, or has been dropped.



## Features

### - OUTPUT POWER MONITORING

With the selection switches on this unit, the output level of each 8 units of power amp is checked as well as monitoring of them are available.

### - LED LEVEL METER

The output levels of power amplifiers on operating are displayed on each of 8 LED level meter.

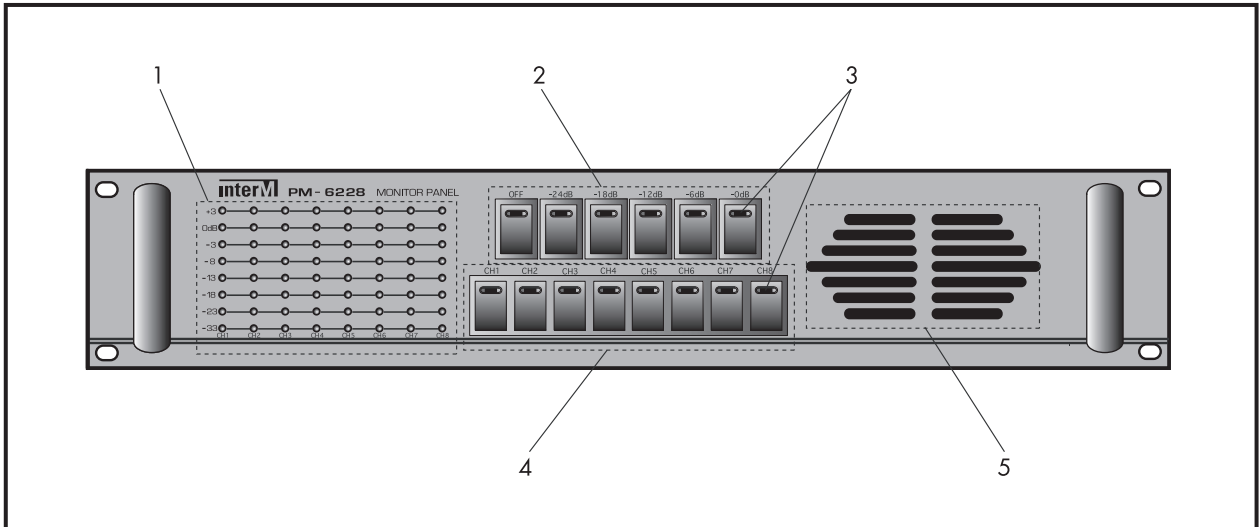
### - BUILT-IN MONITOR SPEAKER

High sufficient speaker provides the clear and rich sound with users to check the status of output of each amplifier. The level of monitor speaker is adjustable by the designated switch.

## Operation

When using the channel selection switch, please select the channel needed to be checked and then start to monitor with appropriate level.

## Front Panel



### 1. LEVEL METER

Eight-segment LED meters indicate the output level of each channel.

### 2. VOLUME SWITCH FOR SPEAKER

Function of monitor speaker volume (Off, -24dB, -18dB, -12dB, -6dB, 0dB).

### 3. STATUS INDICATOR

LEDS in selected switches light up to indicate status.

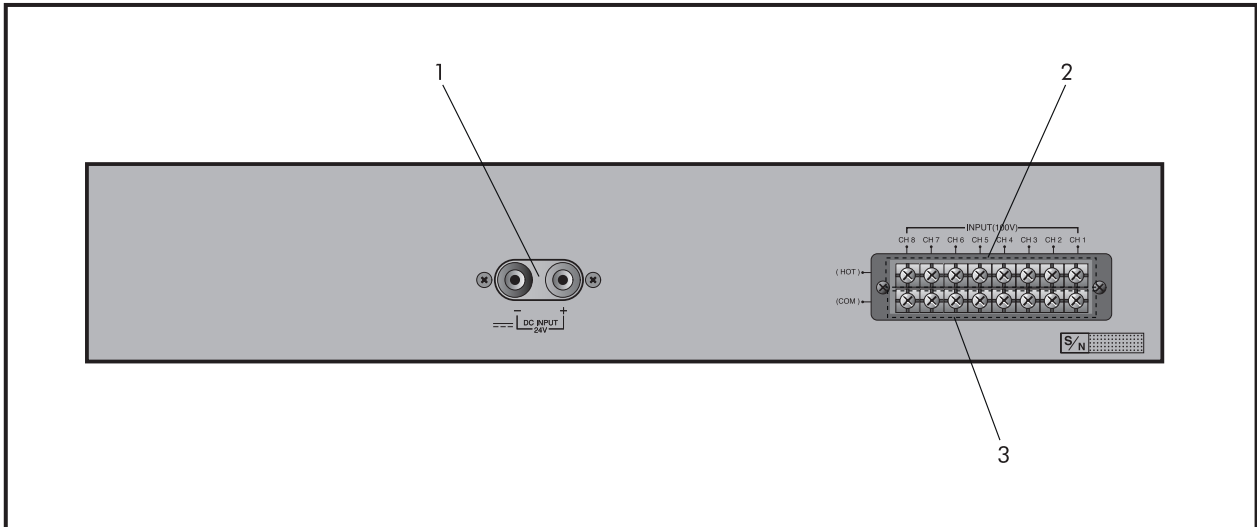
### 4. CHANNEL SELECTOR SWITCHES 1-8

Eight switches select any channel's output to be monitored by the front panel speaker.

### 5. MONITOR SPEAKER

High-powered, full-fidelity speaker for convenient monitoring of selected amplifier channel.

## Rear Panel



### 1. DC INPUT TERMINALS

Connect a +24V DC battery source to these terminals. Make certain the red terminal is connected to the battery's positive (+) side, and the black terminal to the battery's negative (-) side.

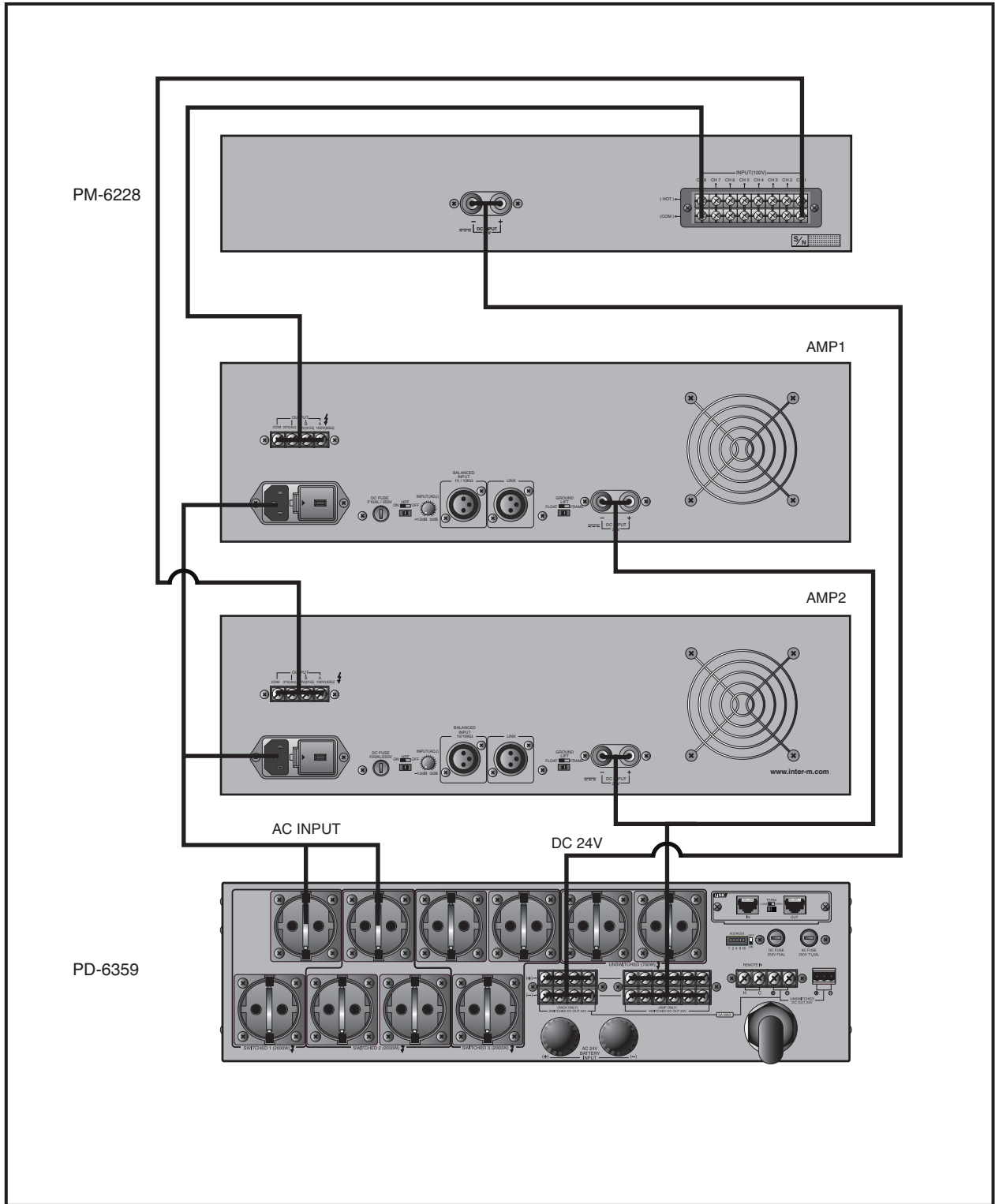
### 2. AUDIO INPUT TERMINALS (HOT)

Connect the positive (+) output terminals of power amplifiers to these inputs for monitoring.

### 3. AUDIO INPUT TERMINALS (COM)

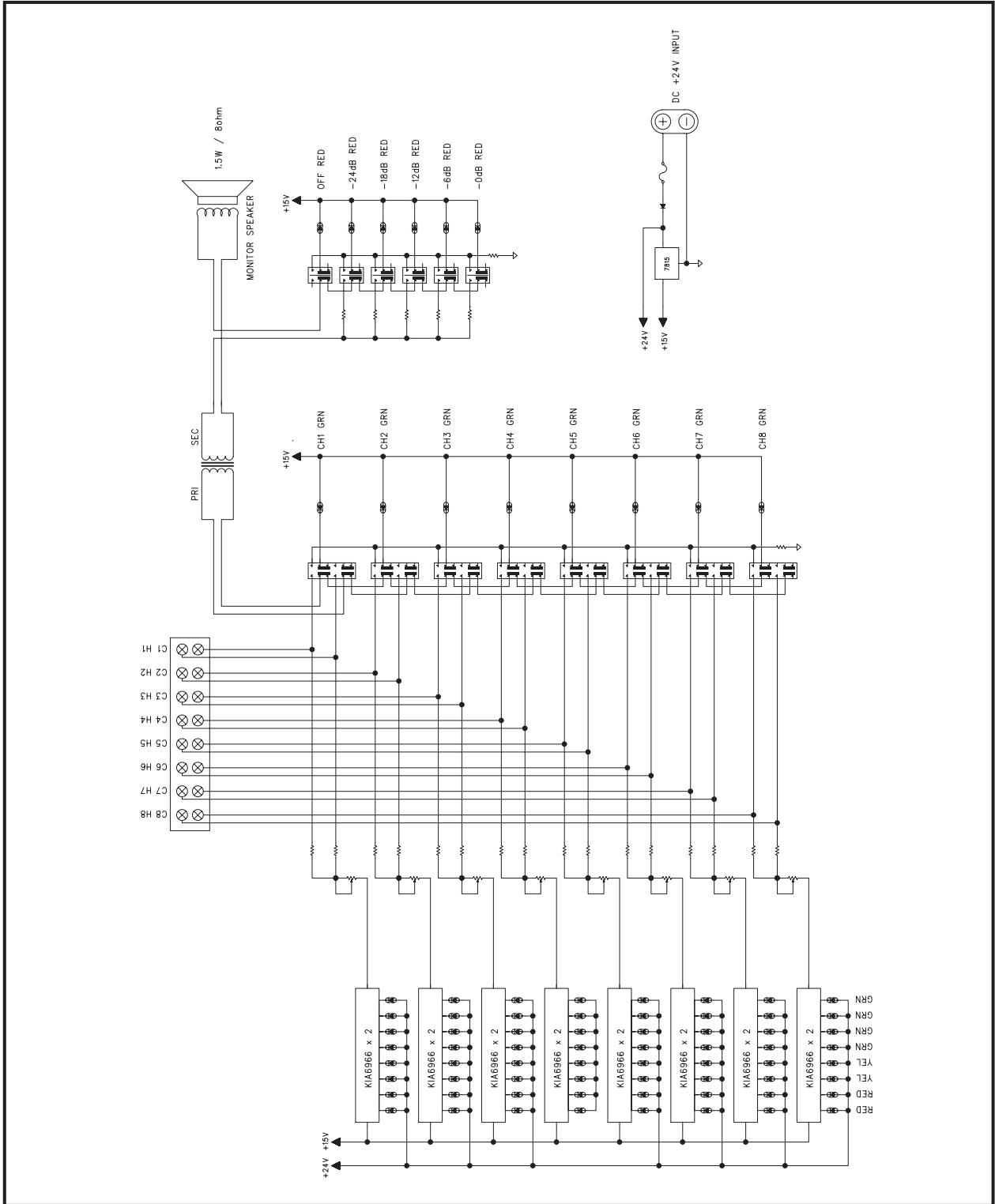
Connect the negative (-) output terminals of power amplifiers to these inputs for monitoring.

# Applications





# Block Diagram

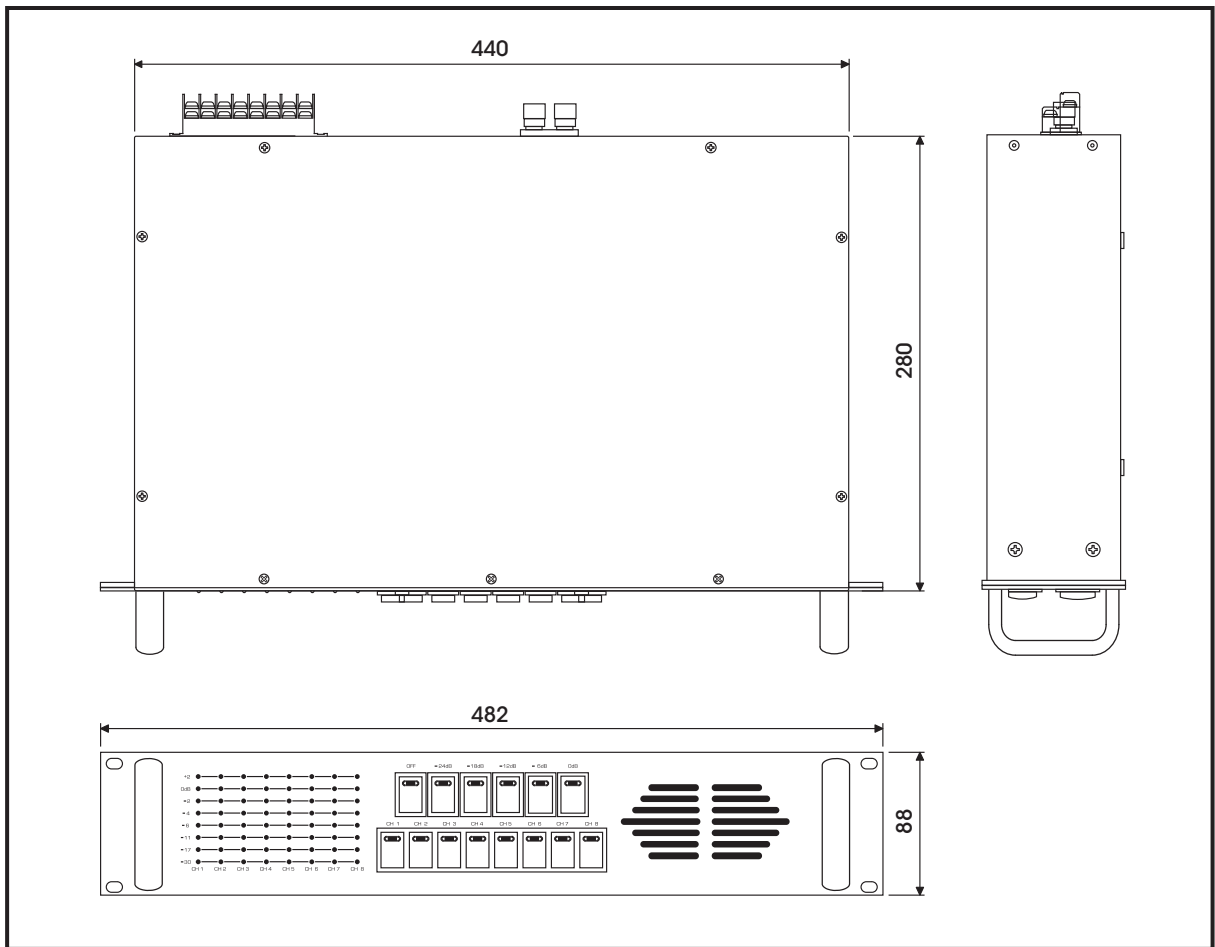


# Specifications

	PM-6228
Outside Inputs	8-100V or 70V inputs
LED Monitor Outputs	8 simultaneous outputs
Operation Temperature	-10°C ~ +40°C/14°F~104°F
Power Source	24V DC
Weight (SET)	3.5kg/7.7lb
Dimensions (SET)	482(W)x88(H)x280(D)mm/19(W)x3.5(H)x11(D)in

\* Specifications and design are subject to change without notice.

## ※ DIMENSIONS



## Service

### Procedures

Take steps to insure the problem is not related to operator error or other products within the system. Information provided in the troubleshooting portion of this manual may help with this process. Once it is certain that the problem is related to the product contact your warranty provider as described in the warranty section of this manual.

### Schematic

A Schematic is available by contacting your warranty provider.

### Parts List

A Parts List is available by contacting your warranty provider.

## Warranty

Warranty terms and conditions vary by country and may not be the same for all products. Terms and conditions of warranty for a given product may be determined first by locating the appropriate country which the product was purchased in, then by locating the product type.

To obtain specific warranty information and available service locations contact Inter-M directly or the authorized Inter-M Distributor for your specific country or region.

# interM



Inter-M, Ltd. (Korea) began operations in 1983.

Since then, Inter-M has grown to become one of the largest manufacturers of professional audio and commercial sound electronics equipment in the world.

Inter-M has gained worldwide recognition for its own branded products, as well as private label manufacturing of electronics sold under other names (OEM).

The company is no longer just a Korean company, but rather a global company that is truly international in scope, with factories and offices in Korea and China, and sales and marketing operations located in Japan, Europe, and the U.S.A.

With more than 850 employees around the globe, Inter-M is well-poised for further growth and expansion.

**Inter-M Americas, Inc.**

13875 Artesia Blvd. Cerritos, CA 90703 USA  
TEL : +1-562-921-0313, FAX : +1-562-921-0370  
Home Page : <http://www.inter-m.net>, E-mail : [info@inter-m.net](mailto:info@inter-m.net)

**Inter-M Corporation**

Seoul OFFICE: 653-5 BANGHAK-DONG, DOBONG-KU, SEOUL, KOREA  
TEL : +82-2-2289-8140~8, FAX : +82-2-2289-8149  
Home Page : <http://www.inter-m.com>, E-mail : [overseas@inter-m.com](mailto:overseas@inter-m.com)

**MADE IN KOREA**  
June 2012 127851