



Model: WS RETROFIT FOR EL-ITP-8-WH/BK

Family: WALL-SMART

DWG NO. 008-4-482-SPC

Model No.: 008-1-482-BL/-WH/-WO

PRODUCT SPEC.

REVISION B

DATE 23/MAY/2019



Make Your Wall Smart

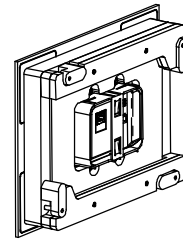
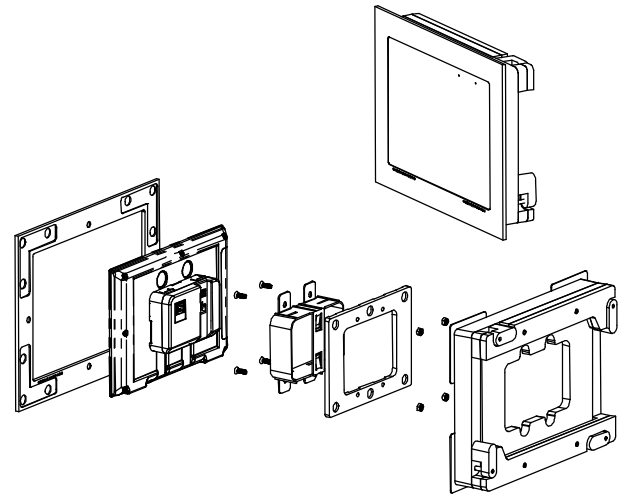
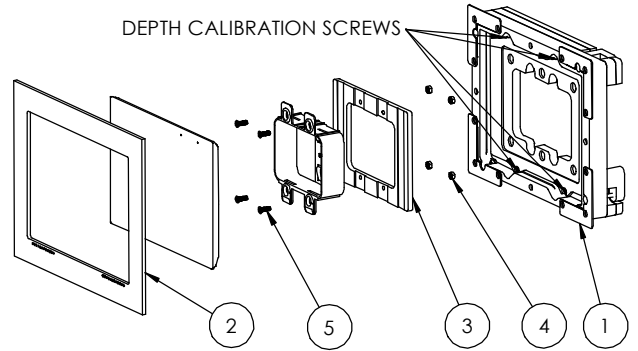
“WS RETROFIT FOR EL-ITP-8-WH/BK” - Product description:

The “WS RETROFIT FOR EL-ITP-8-WH/BK” is an adapter for in-wall nearly flush retrofit installation of an EL-ITP-8-WH/BK touch panel. The “WS RETROFIT FOR EL-ITP-8-WH/BK” firmly mounts the EL-ITP-8-WH/BK touch panel while allowing easy insertion, removal and operation.

Key features and benefits:

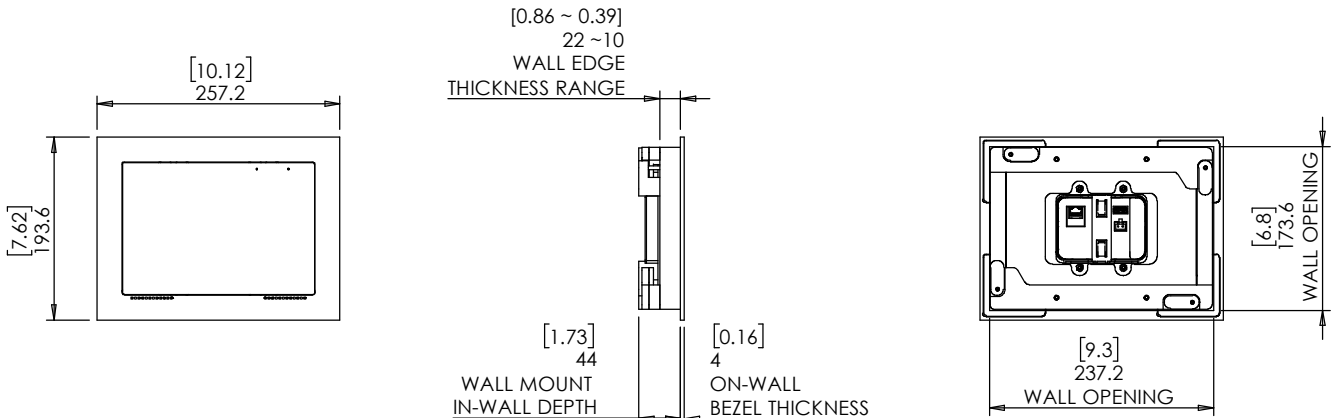
- Nearly flush with the wall (4mm [0.16"] thick on-wall bezel).
- Allows easy insertion and removal of the touch panel.
- Wall mount contains depth calibration screws.
- Wall board thickness 10mm [0.39"] up to 22mm [0.86"].
For boards up to 32mm [1.25"] thick, reinstall cam latches upside down.
- Bezel attaches magnetically to the retrofit wall mount base.
- The bezel is supplied painted black (-BL), white (-WH) or unpainted (-WO).
- Designed for the use with EL-ITP-8-WH/BK touch panel (by ELAN) (touch panel is not included).
- Adapter kit contains:
 1. (X1) Wall mount base;
 2. (X1) Bezel;
 3. (X1) Touch panel adapter
 4. (X4) M4 nuts
 5. (X4) M4x12 Screws

DEPTH CALIBRATION SCREWS



Key properties:

- Dimensions: (W/H/D): 257.2mm (10.12")/ 193.6mm (7.62")/ 48mm (1.89")
- Weight: 0.95Kg, 2.1lbs.
- Material: Moisture resistant MDF (compliant with TSCA Title VI)





Model: WS RETROFIT FOR EL-ITP-8-WH/BK

Family: WALL-SMART

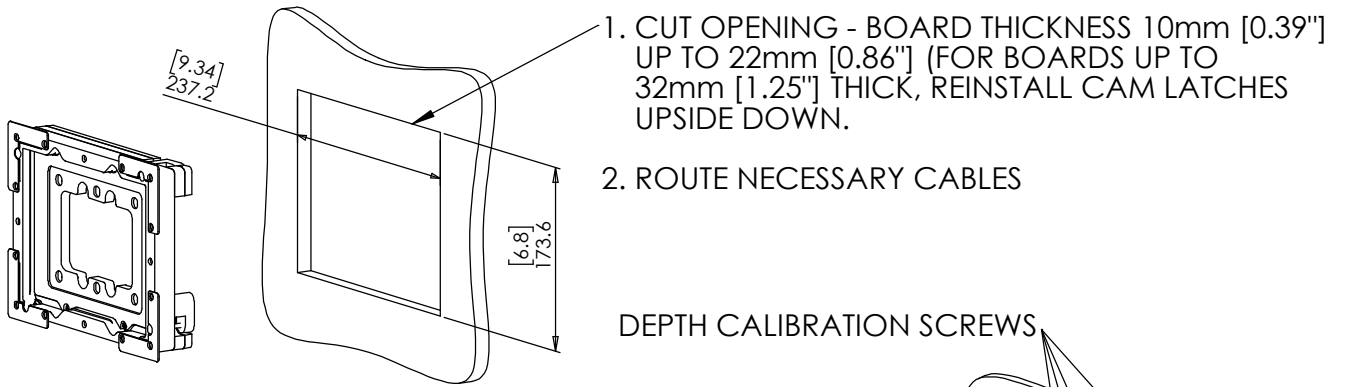
DWG NO. 008-4-482-SPC

Model No.: 008-1-482-BL/-WH/-WO

PRODUCT SPEC.

REVISION B

DATE 23/MAY/2019



3. INSERT WALL MOUNT BASE

4. GENTLY SCREW CLOCKWISE 4 RETENTION SCREWS UNTIL CAM LATCHES RETAIN THE UNIT.

5. ATTACH TOUCH PANEL

TO DETACH THE PANEL USE THE KEY

6. ATTACH BEZEL (MAGNETICALLY)