



BN-2600ACTC

# ACCESS CONTROL CAMERA

FACE RECOGNITION/TEMPERATURE INDICATOR

Monitor access to restricted areas using temperature readings and facial recognition thanks to Bolide's BN-2600ACTC access control camera.

Thanks to its backlight management with its WDR and in conjunction with the Instant Face Recognition algorithm (500ms), you can have an accurate face reading and avoid false alarms. Detection can be done even if using a face mask. Register up to 22,400 faces in the database. The camera will issue an audible alert if a person's temperature is too high.



WWW.BOLIDECO.COM

Certifications



ISO 9001:2015  
Certificate

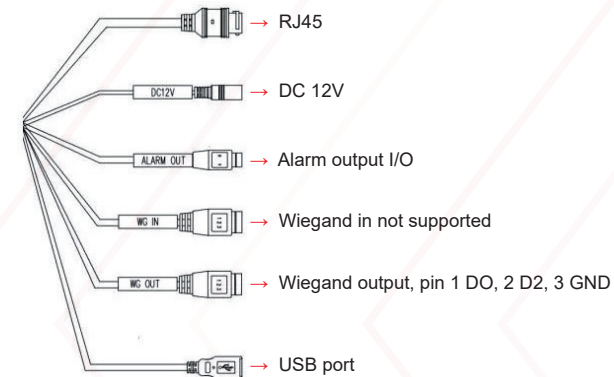
## FEATURES

- Automatic no-contact temperature reading & face recognition efficient and effective
- Temperature range: 30-45°C ± 0.3°C accuracy
- Detecting people without wearing mask, push alarm message
- Can set high temperature alarm
- Support temperature data SDK and HTTP protocol integration with third party platform
- Support information auto log, no extra manual operation needed
- Professional face recognition algorithm with high accuracy, recognition time <500ms
- Support wide dynamic ≥ 80dB, can adjust exposure on moving object to get a clear image under strong backlight environment
- Linux operation system, reliable and stable
- Windows/Linux SDK and HTTP protocol
- 8 inch IPS high resolution displayer
- MTBF > 50.000H
- Support 22.400 faces database and 100.000 face recognition records
- Support anti-fog, 3D noise reduction, BLC, stabilizer, and different white balance to fit for different application requirements
- Support speaker (human temperature normal/high alarm, face recognition result)

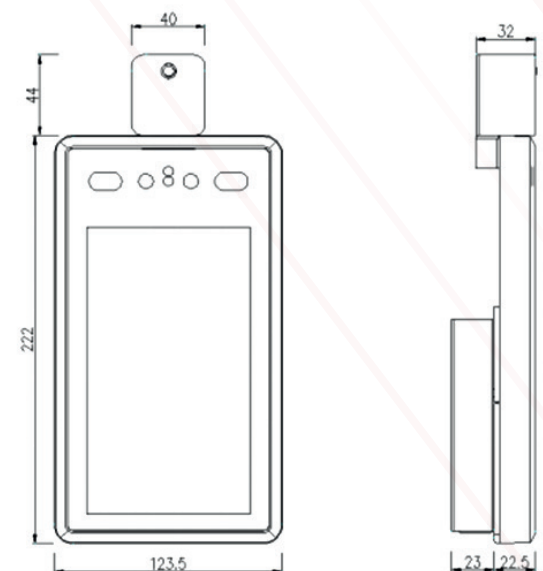
## SPECIFICATIONS

Hardware	
System	Linux operation system
RAM	16G EMMC
Image sensor	1/2.7" CMOS
Lens	4mm
Camera parameters	
Effective pixel	2MP, 1920*1080
Min. Lux	Color 0.01Lux @F1.2 (ICR) B/W 0.001Lux @F1.2
SNR	≥50db(AGC OFF)
WDR	≥80db
Face recognition	
Height	1.2 - 2.2, angle adjustable
Distance	0.5 - 3 meters
View angle	Vertical ±30°
Reco. Time	<500ms
Function	Support 22400 faces database and 100000 records
Temperature	
Range	30-45 °C
Accuracy	±0.3 °C
Distance	0.3 - 0.8 meters
Response time	<300ms
Interface	
Internal interface	RJ45 10M/100M Ethernet
Weigand port	Support input/output 26 and 34
Alarm output	1ch relay output
USB port	1 USB port (can be connected to ID identifier)
General	
Power input	DC 12V/3A
Power consumption	20W(MAX)
Working temperature	0°C ~ 50°C
Humidity	5 ~ 90%, no condense
Dimension	154mm (W) * 89mm (H) * 361.4mm (L)
Weight	2.1kg

## INTERFACE



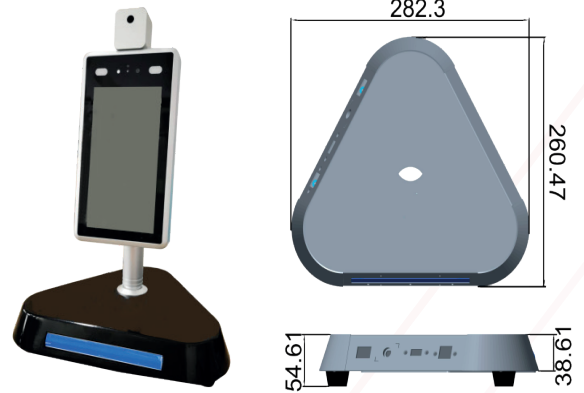
## DIMENSIONS



## OPTIONAL ACCESSORIES

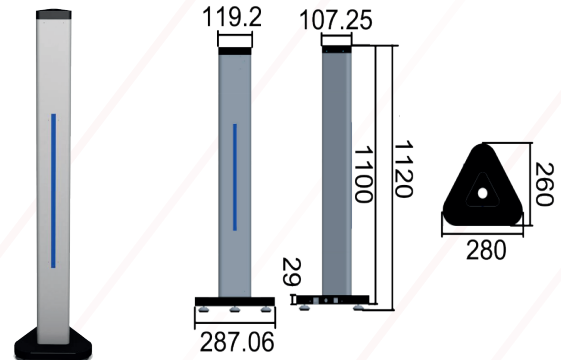
### Desktop bracket for pole mount camera

<b>Model</b>	BE2600ACTADM
<b>Specification</b>	2xUSB 1x LED light 1xnetwork cable 1x12V DC Package Dimension: 320(L)x300(W)x90(H)mm Gross Weight: 2Kg
<b>Dimension (mm)</b>	282.3 x 260.4 x 54.61



### Straight standalone bracket for Pole mount camera

<b>Model</b>	BE2600ACTASA-I
<b>Specification</b>	2 x USB 1 x LED light 1 x network cable 1 x 12V DC Package Dimension: 320(L)x300(W)x90(H)mm Gross Weight: 2Kg
<b>Dimension (mm)</b>	112 x 280 x260



### Standalone bracket with bevel for wall mount bracket Camera

<b>Model</b>	BE2600ACTASA-II
<b>Specification</b>	2 x USB 1 x LED light 1 x network cable 1 x 12V DC With three screw holes to fix into ground With four height adjustable supporting legs to be put on the ground steadily Package Dimension: 300(L)x230(W)x1350(H)mm Gross Weight: 7.8 Kgs
<b>Dimension (mm)</b>	1300 x 280 x210

