



Control Your Video

**VIDEO WALL VIDEO PROCESSORS
MULTIEWERS DIGITAL SIGNAGE
EXTENDERS CONTROL CENTERS
SCALERS WIRELESS**



HDM-C6VWIP-SET





The Avenview HDM-C6VWIP-SET, Videowall, Matrix IP Extender with Audio, IR RS232 and KVM function provides extension of high definition video and high quality audio to HD Display monitors. This device can be used with any solution with its unique design allowing connection of the following:

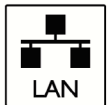
POINT TO POINT



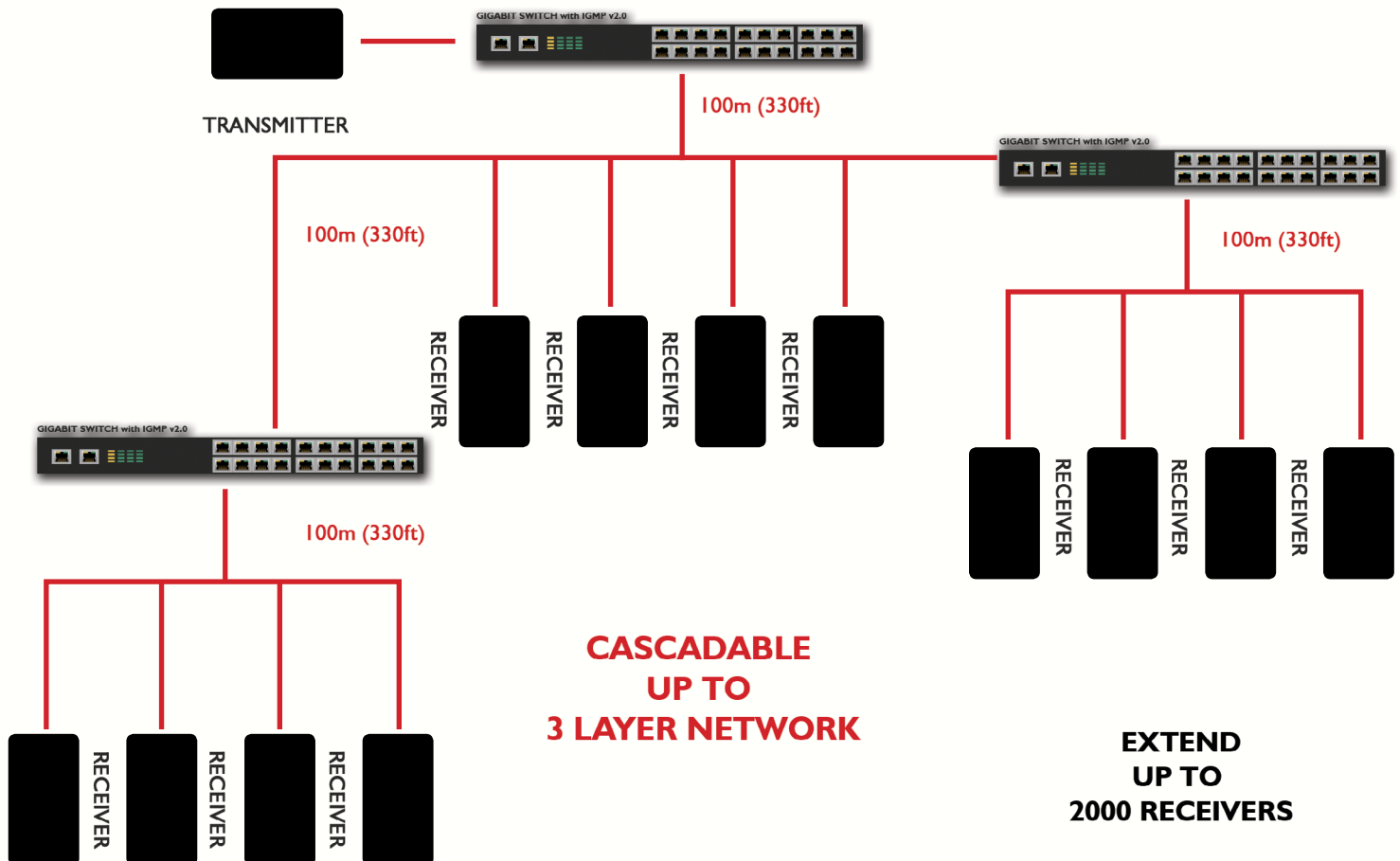
Direct Connection between the HDMI Extender Transmitter and Receiver with CATx cable up to 100m (330ft). Extend HD 1080p video and audio to HD displays. Equipped with USB ports you can also utilize the KVM function for extending PC/Server



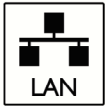
POINT TO MULTI POINT



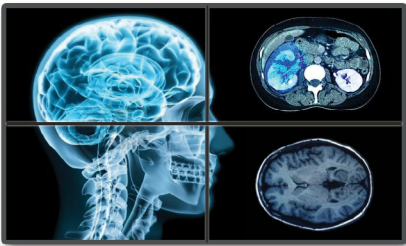
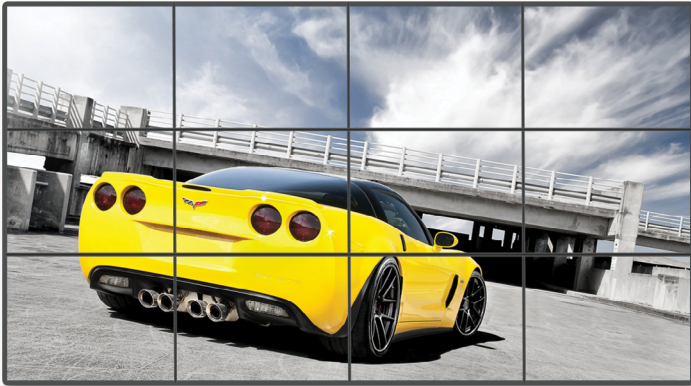
Connect CAT 5/6 with a Network or POE Network switch which supports port based IGMP v2.0 or above protocol. Installing this type of configuration within large applications, we recommend Dell Networking 5500 series which uses 2 HDMI ports or 2SFP port to cascade.



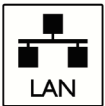
VIDEOWALL



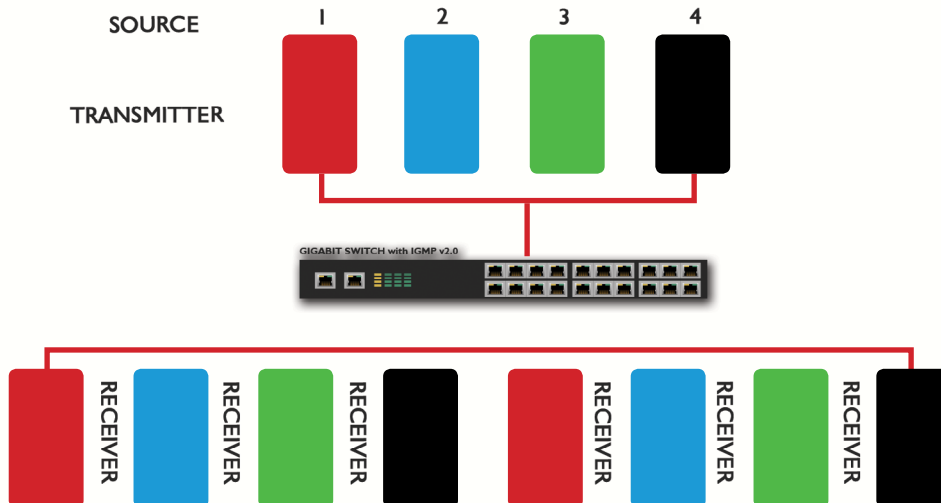
Connection with CAT 5/6 cable add multiple sources to multiple TX which links via LAN by cascading any POE Gigabit Ethernet switch to achieve a Multi input videowall configuration. The device ensures flexibility within any videowall design, layout and configuration. Its modular design allows example 1x2 ,2x2 3x3 up to 8x8.Easily controlled via the Control Software ControlPro to manage and setup the bezel, input and configuration of the videowall. Optional IP control box to send commands via a third party automation system through Telnet commands for simple presentation on the HD displays.



MATRIX



Connection with CAT 5/6 cable add multiple sources to multiple TX which links via LAN by cascading any POE Gigabit Ethernet switches up to Layer 3 network, out to the Rx connected to the HD monitors at different locations on the network. Transporting Full HD 1080p video and internally using JPEG video compression adapts to the available network bandwidth if needed while retaining vivid picture with audio. Easily controlled and configured by Avenview software ControlPro



ControlPro Control Software

Avenview ControlPro software creates simplicity when any user has to take control of the HDM-C6VWIP in any configuration in videowall or matrix application. The software interface was designed for easy one click button configuration and setup. The user can simply modify the Tx and Rx with short phrases as Bluray, Cable Box or Monitor 1 and or TV2, to be saved as layout configuration to a file and recall for the system to display.



BEZEL CORRECTION

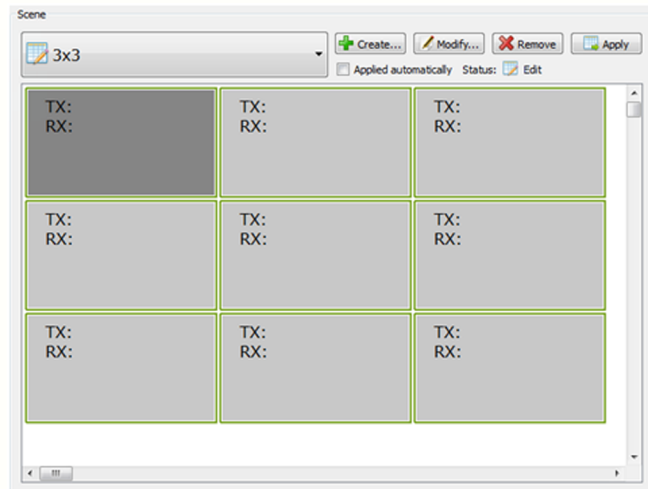
ALLOWS THE USER TO CREATE A PROPER DISPLAY LAYOUT WITH THE USE OF ANY MONIOTOR WITH ANY SIZE BEZEL

SCENE CONFIGURATOR

CREATE DIFFERENT LAYOUT AND CONFIGURATION AS YOUR PROJECT DESIRES

IMPORT/EXPORT FILE

STORE ANY LAYOUT TO A FILE FOR QUICK RECALL FOR MULTIPLE PROJECTS OF THE SAME KIND .
BACKUP YOUR SPECIAL PROJECT FOR CUSTOMER FILING SYSTEM



DEVICE INFO/LOG FILE

VIEW THE ACTIVITY AND CONFIGURATION OF THE UNIT

3RD PARTY INTERGARTION CONTROL

CONTROL, COMMAND YOUR LAYOUTS WITH SEAMLESS INTERGRATION WITH OUR OUR ADDED IP CONTROLLER BOX VIA TELNET OR IP COMPATIBLE WITH CRESTRON AMX AND CONTROL4.



TIME & DATE SCHEDULE FEATURE

SCHEDULE THE LAYOUTS CREATED AND HAVE THE TIME SCHEDULE PLAY THE DIFFERNT SCENES CREATED WITHIN THE SOFTWARE.



ITEM	SPECIFICATION
Units	HDM-C6IP-S / HDM-C6IP-R
Unit Description	HDMI Transmitter / HDMI Receiver
Video Bandwidth	M-JPEG technology to process image compressing GIGABIT (10/1000) OVER LAN
Supported Resolutions	480i@60Hz, 480p@60Hz, 576i@50Hz, 576p@50Hz, 720p@50/60Hz, 1080i@50/60Hz, 1080p@50/60Hz
Resolution and Distance	Full HD: (1080p) 95meter (295feet) (CAT5e) / 100meter (328feet) (CAT6)
Audio Support	Surround Sound (up to 7.1 Ch) or Stereo Digital Audio
HDMI Connector	Type A (19 pin female)
RJ45 Connector	WE/SS 8P8C with 2 LED indicators
Weight	Both TX & RX 0.5 lbs
Dimensions (L x W x H)	Both TX & RX 5.25" x 4.25" x 1"
Power Adapter	2 X DC 5V/1A
Power Consumption	3W Max Each

USA Head Office

Office Avenview
Corp. 275 Woodward Avenue
Kenmore, NY 14217
Phone: +1.716.218.4100 ext223
Fax: +1.866.387-8764
Email: info@avenview.com

Canada Sales

Avenview
151 Esna Park Drive, Unit 11 & 12
Markham, Ontario, L3R 3B1
Phone: 1.905.907.0525
Fax: 1.866.387.8764
Email: info@avenview.com

Avenview Europe

Avenview Europe
Demkaweg 11
3555 HW Utrecht
Netherlands
Phone: +31 (0)85 2100- 613
Email: info@avenview.eu

Avenview Hong Kong

Unit 8, 6/F., Kwai Cheong Centre,
50 Kwai Cheong Road,
Kwai Chung, N.T.
Hong Kong
Phone: 852-3575 9585
Email: wenxi@avenview.com