



Scan for full manual

PA-120Z / PA-240Z Quick Start Guide

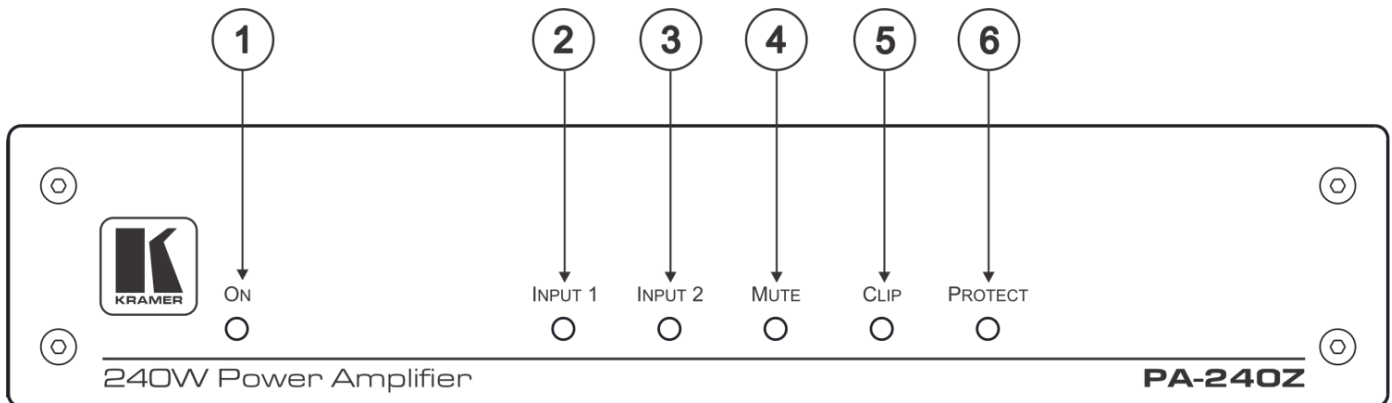
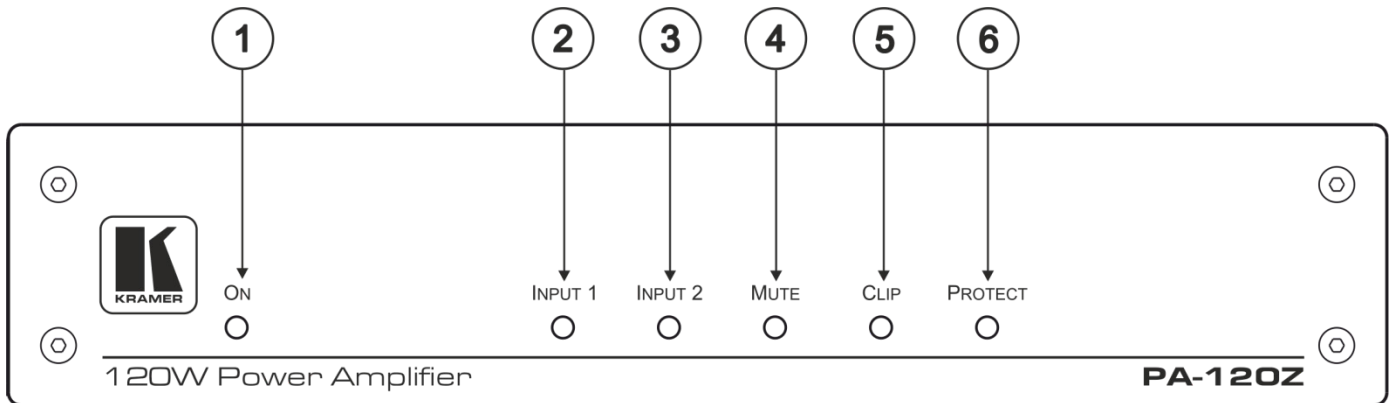
This guide helps you install and use your PA-120Z / PA-240Z for the first time.

Go to www.kramerav.com/downloads/PA-240Z to download the latest user manual and check if firmware upgrades are available.

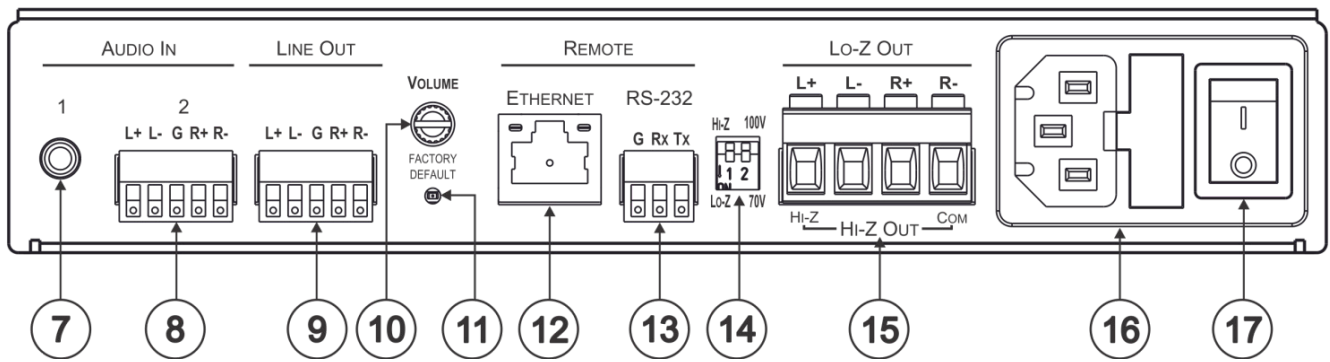
Step 1: Check what's in the box

- ✓ PA-120Z / PA-240Z 120W / 240W Power Amplifier
- ✓ 4 Rubber feet
- ✓ 1 Power cord
- ✓ 1 Quick start guide

Step 2: Get to know your PA-120Z / PA-240Z



#	Feature	Function
1	ON LED	Lights green when powered on, orange when in standby.
2	INPUT 1 LED	Lights green when a signal is present on input 1.
3	INPUT 2 LED	Lights green when a signal is present on input 2.
4	MUTE	Lights red when the output is muted, off when unmuted.
5	CLIP LED	Lights red when the signal is clipped on the output and creating distortion. (When clipping is detected, lower the volume until the LED turns off.)
6	PROTECT LED	Lights red in case of over current / short / over heat. The device powers down until operation conditions are corrected and then powers up again.



#	Feature	Function
7	AUDIO IN Connectors	Unbalanced Stereo Audio 3.5mm mini jack
8		balanced Stereo Audio 5-pin Terminal Block Connector
9	LINE OUT Balanced Stereo Audio 5-pin Terminal Block Connector	Connect to a balanced, stereo audio acceptor (for example, amplified speakers).
10	VOLUME Attenuator	Master volume for speaker output – rotate to set the maximum amplifier volume.
11	FACTORY DEFAULT Button	Press to return to the factory default settings, including all the configurations and network settings.
12	ETHERNET RJ-45 Connector	Connect to an ETHERNET LAN.
13	RS-232 (G, Tx, Rx) Port	Connect to an RS-232 connector on A/V equipment or a PC or other Serial Controller.
14	Hi-Z/Lo-Z and 100V/70V DIP-Switches	Set to Hi-Z for high impedance and Lo-Z for low impedance. In Hi-Z, set to 70V or 100V.
15	Lo-Z/Hi-Z Out Terminal Block Connectors	Lo-Z – connect stereo output to Lo-Z speakers: L+ and L- to the left speaker; R+R- to the right speaker. Hi-Z (70V or 100V) – connect Hi-Z and COM to mono Hi-Z speakers. Speaker can output either the left side of the audio input or reduce the stereo input to a mono signal (via webpages).
16	Power Connector with Fuse	AC connector, enabling power supply to the unit.
17	Mains Power Switch	Switch for turning the device on or off.

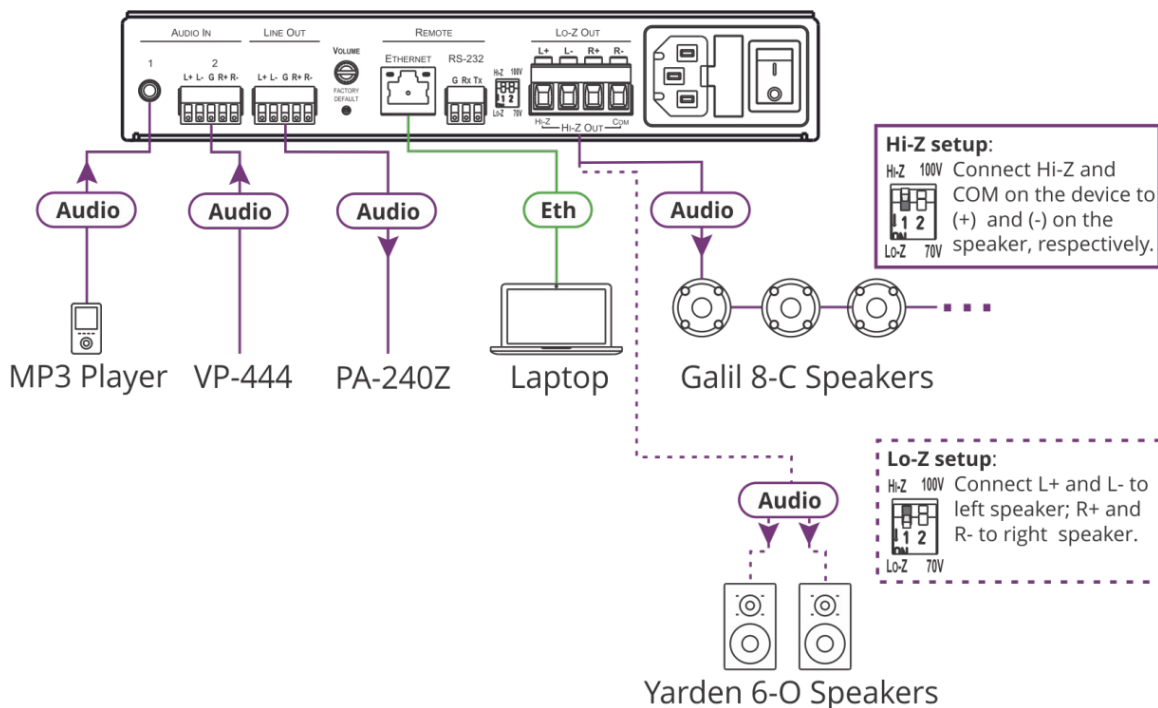
Step 3: Install the PA-120Z / PA-240Z

Install **PA-120Z / PA-240Z** using one of the following methods:

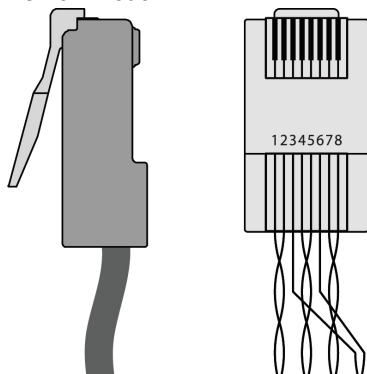
- Mount the unit in a rack using an optional **RK-1** rack adapter.
- Attach the rubber feet and place the unit on a flat surface.

Step 4: Connect the inputs and outputs

Always switch OFF the power on each device before connecting it to your **PA-120Z / PA-240Z**. For best results, we recommend that you always use Kramer high-performance cables to connect AV equipment to the **PA-120Z / PA-240Z**.



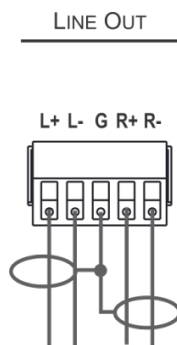
RJ-45 Pinout:



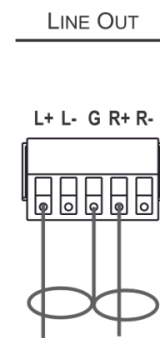
PIN EIA /TIA 568B	
PIN	Wire Color
1	Orange / White
2	Orange
3	Green / White
4	Blue
5	Blue / White
6	Green
7	Brown / White
8	Brown

Connect the audio line out:

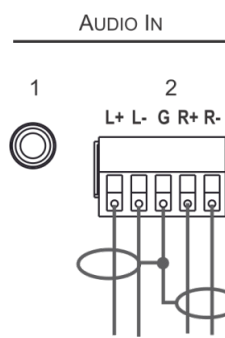
To a balanced stereo audio acceptor:



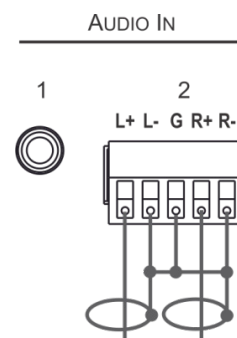
To an unbalanced stereo audio acceptor:



To a balanced stereo audio source:



To an unbalanced stereo audio source:



Step 5: Connect the power

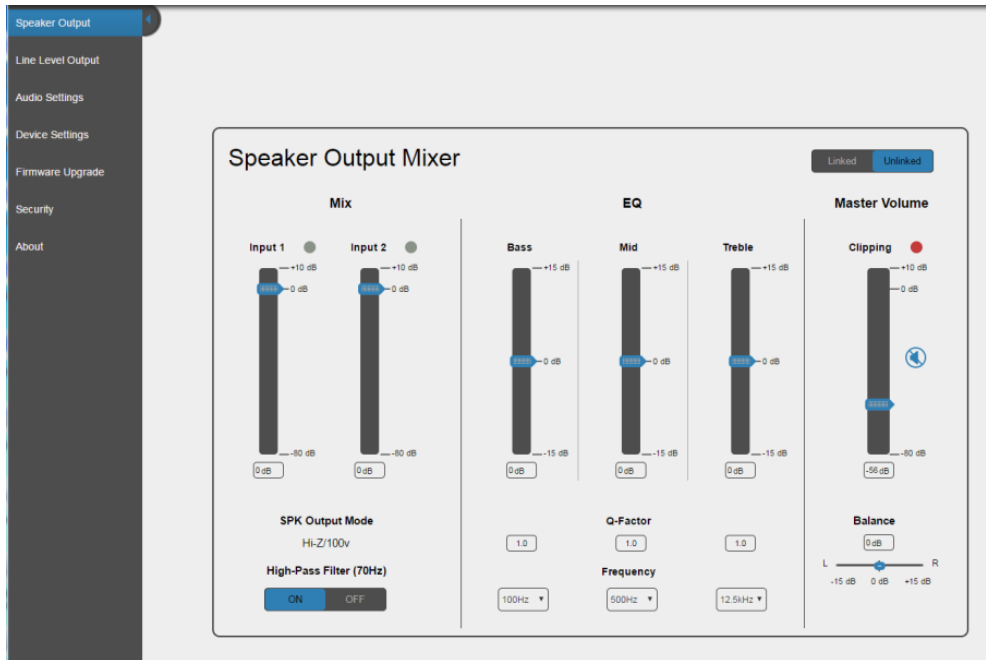
Connect the power cord to **PA-120Z / PA-240Z** and plug it into the mains electricity.

Safety Instructions



- Caution:** There are no operator serviceable parts inside the unit.
 - Warning:** Use only the power cord that is supplied with the unit.
 - Warning:** Do not open the unit. High voltages can cause electrical shock! Servicing by qualified personnel only.
 - Warning:** Disconnect the power and unplug the unit from the wall before installing.
- See www.KramerAV.com for updated safety information.

Step 6: Control PA-120Z / PA-240Z via the embedded web pages



RS-232

Protocol 3000

Baud Rate: 115,200 Stop Bits: 1

Data Bits: 8 Parity: None

Change the volume of input 2 to -10 DB #X-AUD-LVL 1,2,-10

TCP/IP Parameters

IP Address: 192.168.1.39 Maximum UDP Connections: Unlimited UDP Port #: 5000

Subnet mask: 255.255.000.000 Maximum TCP Connections: Unlimited TCP Port #: 5000

Default gateway: 192.168.0.1 Default Username / Password: Admin / Admin

Full Factory Reset

Protocol 3000 Excluding ETH: use "#FACTORY" command and use "#RESET" to restore the factory default values.

Technical Specifications

	PA-120Z	PA-240Z
Input:	1 unbalanced stereo on a 3.5mm connector 1 balanced stereo +4dBu/10kΩ on a 5-pin terminal block	
Output:	1 balanced stereo line level on a 5-pin terminal block 1 stereo or 1 mono speaker output on a 4-pin large terminal block	
Input Sensitivity:	Full power @ 0.3V (-10dBV)	
Output Power:	2 x 60W @ 4Ω or 8Ω 1 x 120W @ 70V or 100V	2 x 120W @ 4Ω or 8Ω 1 x 240W @ 70V or 100V
Amplifier Type:	Class D	
Maximum Voltage Gain:	26dB SE / 32dB BTL	
Dynamic Range	119dB	
Frequency Response	20Hz to 20kHz @ +/-1dB	
S/N Ratio:	80dB -10dBV, 20 Hz - 20 kHz	
Controls:	Screw trimmer amplifier attenuator, IP and RS-232	
Audio THD + Noise:	THD+N (1kHz @ 1W) 0.003 %	
Audio 2nd Harmonic:	0.08% @ 75W RMS @ 4Ω 6.67kHz	
Power Source:	Universal mains operational voltage 85VAC – 265VAC	Universal mains operational voltage 85VAC – 265VAC (full power at 120V – 230V)
Total System Efficiency	89.2%	89.5%
Dimensions:	21.2cm x 22.8cm x 4.3cm (8.35" x 8.98" x 1.69") W, D, H	
Weight:	1.0kg (2.2lbs) approx.	
Included Accessories:	Power cord	
Options:	RK-1 rack adapter	

Specifications are subject to change without notice at www.kramerav.com