

# HDVR-MX1608-1U5MP-AI2

16 Ch 4K AI AVS, Analog, & IP 1U Standalone DVR



- H.265+/H.265 dual-stream video compression
- Supports 16 HD-AVS/AHD/TVI/CVBS/IP video inputs up to 5MP (including 16:9 aspect ratio)
- Supports up to 16+8 channels IP camera inputs, each channel up to 6MP
- 128 Mbps incoming bandwidth
- IVS Perimeter Protection, iMD (Intelligent Motion Detect) and Face Recognition (coax channels only)

## System Overview

The HDVR-MX1608-1U5MP-AI2 in IC Realtime's AI line of HDVRs blends HD-over-coax support with our new Intelligent features. This hybrid recorder also supports H.264 and H.265 as well as new AI Coding compression. This allows for enhanced video quality while keeping the bit rate the same, allowing you have both storage efficiency and quality.

The recorder also has the capability of supporting up to 16 AVS, TVI, AHD, or CVBS cameras 5MP or less (including 16:9 aspect ratio) as well as 8 (6MP or less) or 24 total IP cameras by disabling all of the coax inputs.

This recorder supports a suite of AI features including: up to IVS Perimeter Protection, up to 16 channels of Intelligent Motion Detect (iMD) and Real-Time Face Recognition with database. The HDVR also supports up to two 10 TB hard drives for increased storage options.

### iMD (Intelligent Motion Detect)

This is an upgraded version of motion detection currently known as Intelligent Motion Detection (iMD). The upgraded Plus version greatly improves alarm accuracy by pre-loading a deep learning algorithm that recognizes people and vehicles. Motion detection alerts containing a human and/or vehicle intrusion event are now possible with up to 95% accuracy. Eliminate false alarms, save time and keep stress levels low knowing you're protected.

### Smart H.265+

Smart H.265+ is the optimized implementation of the H.265 codec that uses a scene-adaptive encoding strategy, dynamic GOP, dynamic ROI, flexible multi-frame reference structure and intelligent noise reduction to deliver high-quality video without straining the network. Smart H.265+ technology reduces bit rate and storage requirements by up to 70% when compared to standard H.265 video compression.

### Real-Time Face Recognition

This feature works with live video, historic footage, and snapshots. It allows users to identify facial attributes include gender, age, and expression of emotion. Additional characteristics can be applied such as glasses, mustache, face or mouth mask, and beard. Metadata can also be used to identify these characteristics. Enhanced features allow the user to import new facial images and catalog recorded or live view faces into a database for future alerts. Users are further able to create numerous lists and catalog facial images corresponding to those named lists. This allows for precise notification via email, text and push notifications via SmartICRSS PRO app. (Real-Time Facial Detection gives users the flexibility to analyze target feature while streaming live video or viewing history or snapshots. Importing facial images gives users full functionality and notification by retaining and cataloging faces.)

## Technical Specification

### System

Main Processor	Embedded Processor
Operating System	Embedded LINUX (ICR 4.0)

### Video

IP Video Input	16+8 Channel, each channel up to 6MP
Analog Video Input	16
AVS Resolution	5MP (Supports 16:9 Aspect ratio), 4MP, 1080P@25/30fps, 720P@50/60fps, 720P@25/30fps
AHD Resolution	5MP, 4MP, 3MP, 1080P@25/30, 720P@25/30fps
TVI Resolution	5MP, 4MP, 3MP, 1080P@25/30, 720P@25/30fps
CVBS Standard	NTSC/ PAL

### Audio

Input	4 RCA, 16 BNC
Output	1 channel, RCA
Two-way Talk	Reuse audio in/out, RCA (shares the same audio input with the first channel)
Audio Compression	G.711A, G.711U, PCM

### Display

Interface	1 HDMI, 1 VGA
Resolution	VGA: 1920 × 1080, 1280 × 1024, 1280 × 720 HDMI: 3840 × 2160, 1920 × 1080, 1280 × 1024, 1280 × 720
AI Mode	1920 × 1080, 1280 × 1024, 1280 × 720 when Face Recognition, IVS or iMD is selected
Display Split	When IP extension mode not enabled: 1/4/8/9/16 When IP extension mode enabled: 1/4/8/9/16/25
Multi Screen	Main + Extra screen (only coax channels are supported on extra screen)
Privacy Masking	4 rectangular zones (each camera)
OSD	Camera title, Time, Video loss, Camera lock, Motion detection, Recording

### Recording

Video Compression	AI Coding/H.265+/H.265/H.264+/H.264
Image Resolution	5M-N, 4M-N, 1080P, 1080N, 720P, 960H, D1, CIF
Record Rate	Main stream: All channel 5M-N (1fps-10fps); 4M-N/1080P (1fps-15fps); 1080N/720P/960H/D1/CIF (1fps-25/30fps) Sub stream: D1/CIF (1fps-15fps)
Frame Rate	NTSC: 1 fps-30 fps PAL: 1 fps-25 fps
Bit Rate	32Kbps-6144Kbps Per Channel
Record Mode	Manual, Schedule (General, Continuous), MD (Video detection: Motion Detection, Video Loss, Tampering), Alarm, Stop
Record Interval	1 ~ 60 min (default: 60 min), Pre-record: 1 ~ 30 sec, Post-record: 10 ~ 300 sec

### Video Detection & Alarm

Trigger Events	Record, snapshot (panoramic), IPC external alarm output, access controller, voice prompt, buzzer, log, preset, email
Video Detection	Motion Detection, MD Zones: 396 (22 × 18), Video Loss, Tampering and Diagnosis
Alarm Input	16 channel
Relay Output	3 channel

### Playback & Backup

Sync Playback	1/4/9 split
AI Search	1/4/9 split- Face Search or IVS & iMD
Search Mode	Time /Date, Alarm, MD and Exact Search (accurate to second)
Playback Functions	Play, Pause, Stop, Rewind, Fast play, Slow Play, Next File, Previous File, Next Camera, Previous Camera, Full Screen, Repeat, Shuffle, Backup Selection, Digital Zoom
Backup Mode	USB Device/Network

### Network

Ethernet	1 RJ-45 Port (1000 MB)
Network Functions	HTTP, HTTPS, TCP / IP, IPv4, RTSP, UDP, SMTP, NTP, DHCP, DNS, DDNS, P2P
Interoperability	ONVIF 16.12, CGI Conformant
Max. User Access	128 users
Smart Phone	Android, iOS, iPhone

### Storage

Internal HDD	2 SATA Port, up to 10TB capacity for each disk (The maximum HDD capacity varies with environment temperature)
External HDD	N/A

### Auxiliary Interface

USB	2 USB Ports (1 USB 2.0 , 1 USB 3.0)
RS232	N/A
RS485	1 Port, for PTZ Control

### General

Power Supply	DC 12V/4A
Power Consumption	<12W
Working Environment	+14°F ~ +131°F (-10°C ~ +55°C), 10~ 90% RH
Installation	Desktop installation
Dimensions (WxDxH)	1U, 14.76" × 11.38" × 2.09" (375.0 mm × 289.0 mm × 53.0 mm)
Net Weight	3.62 lb (1.64 kg)
Gross Weight	6.48 lb (2.94 kg)

### Certifications

Certifications	FCC: Part 15 Subpart B
----------------	------------------------

## AI Features

### Perimeter Protection

Capabilities	1 channel (coax channel only) Max 10 rules such as area intrusion and tripwire intrusion per channel.
Performance	Human/Vehicle secondary recognition for tripwire and intrusion
AI Search	Search by target classification (Human, Vehicle)

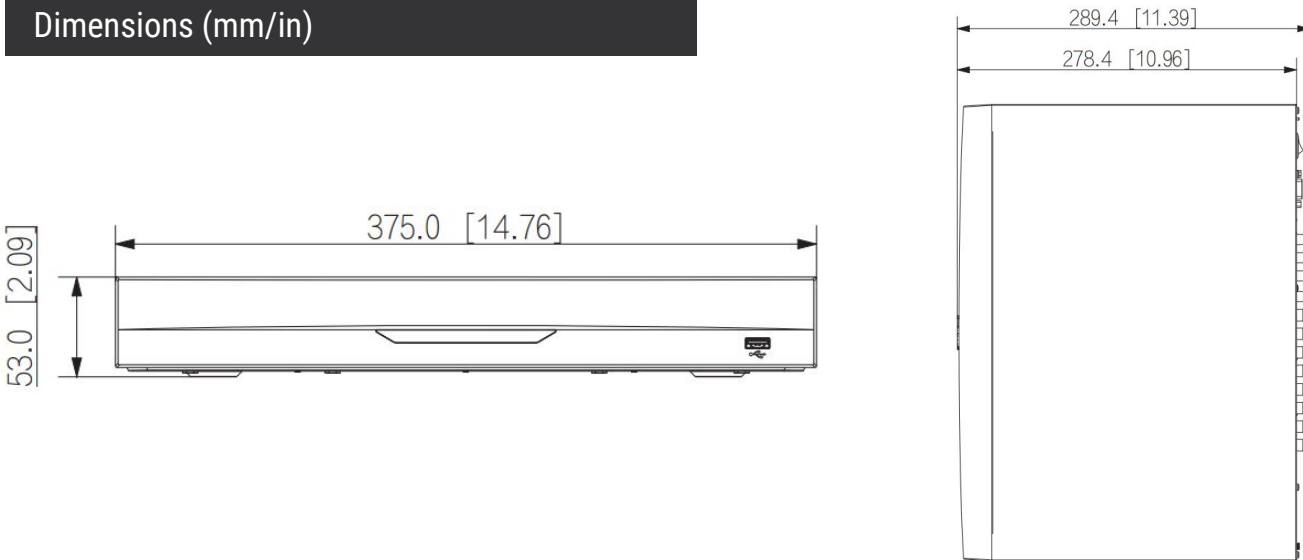
### Intelligent Motion Detect (iMD)

Capabilities	Up to 16 channels, or 15 channels if Perimeter Protection is enabled (coax channel only)
Performance	Human/Vehicle recognition, filters out objects such as leaves and light.
AI Search	Search by target classification (Human, Vehicle)

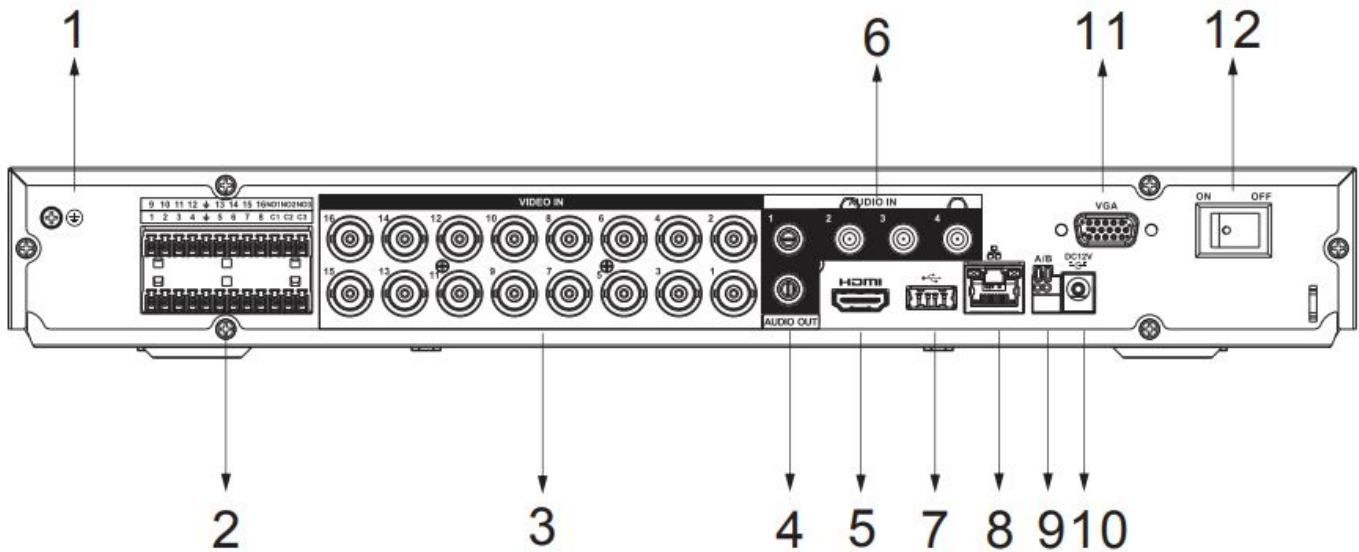
### Face Detection/ Recognition

Capabilities	1 channel (coax channel only)
Performance	A single channel can detect up to 12 faces
Stranger Mode	Detect strangers' faces (not in device's face database). Similarity threshold can be set manually.
AI Search	Up to 8 target face images search at same time, similarity threshold can be set for each target face image.
Database Management	Up to 10 face databases with 20,000 face images in total. Name, gender, birthday, address, certificate type, certificate No., countries & regions and state can be added to each face picture.
Database Application	Each database can be applied to video channels independently
Triggerable Events	Buzzer, Voice Prompts, Email, Snapshot, Recording, Alarm Out, PTZ Activation, etc.

**Dimensions (mm/in)**



**Panels**



- |               |                       |
|---------------|-----------------------|
| 1 Ground      | 2 Alarm In/Out        |
| 3 Video In    | 4 Audio Out           |
| 5 HDMI Port   | 6 Audio In            |
| 7 USB Port    | 8 Network Port        |
| 9 RS-485 Port | 10 DC 12V Power Input |
| 11 VGA Port   | 12 Power Switch       |