

8x A/V Distribution Amplifier

Model : SB-3708

CONFORMANCE TEST REPORT

FOR **EN 55013 / EN 55020**

CE Report Number : ET93S-06-168-1

FOR **FCC 47 CFR / Part 15 Subpart B**

FC Report Number : ET93S-06-168-02

FOR **VCCI**

VCI Report Number : ET93S-06-168-03

Model Number : SB-3750

Comment Number :

SB-3737, SB-3733, SB-3716, SB-3730

SB-3714, SB-3710, SB-3708, SB-3709

SB-3706, SB-3705, SB-3704

CopyRight 2005 Shinybow Technology Co., Ltd.

Input : Video : Composite Video RCA Connector

Audio : Stereo Audio system (R/L)

Output : Video : Composite Video RCA Connector

Audio : Stereo Audio system (R/L)

Power Input : DC +12V , 300mA ~ 500mA. 

Safety Notice!

To prevent damage to your television equipment use only the supplied AC Adaptor and make the power connections to your television.

Thank You for purchasing

Instruction Manual

SHINYBOW™ USA

8 WAY A/V DISTRIBUTION AMPLIFIER

Composite Video/Audio Distribution Amplifier

1 input To 8 outputs




Model : SB-3708

Composite Video /Stereo Audio Splitter Series

Thank you for purchasing the SB-3708 Composite Video (4 Ways). You will find this unit easy to install and highly reliable but it is essential that you read this manual thoroughly before attempting to use amplifier.

Supplied Accessories

Check that you have the following components in your converter pack ;

- (1) 1 Instruction Manual
- (2) 1 SB-3708 Distribution Amplifier
- (3) 1 3RCA-3RCA Cable (RCA Connector)
- (4) 1 AC Adaptor : 12VDC, 500mA 

AV Connecting Cable :
3RCA-3RCA plug, L=2M

AC/DC Adaptor : CE/UL/SAA/BS



Introduction

Congratulations on your purchase of one of the most innovative Composite /Stereo Audio signal distribution product SB-3708 on the market today. For use S-Video and Stereo Audio(R/L), please choose the SB-3709. This product provide multiple composite video and stereo audio outputs that are identical to the source signal. There is useful for distributing signals from VCRs, Camcorders, Video Game Consoles, Video CDs, DVDs, Satellite Receivers, CATV Set Top Boxes, etc.

Before you make any connections

Make sure all Video devices to be connected to the AV DA are functioning according to their respective operation manuals before connecting them. Always connect the Composite Video/Audio devices to the AV Distribution Amplifier one at a time and make sure each works just as it did before it was connected.

Specifications

Model Number	SB-3708
Video Inputs	Composite Video, 75Ω on RCA Connectors
Audio Inputs	Stereo R/L, -20db 25KΩ, on RCA Connectors
Video Outputs	8 x Composite Video, 75Ω on RCA Connectors
Audio Outputs	8 x Stereo R/L, -20db 25KΩ, on RCA Connectors
Video Bandwidth	>60 Mhz
Video Distortion	<1.2db (+/- 3db)
Audio Input impedance	25K Ohms
Channel Isolation	>50db
S/N Ratio	>50db
Power Consumed	500mA
Power Source	12 Volts DC

Safeguards and Precautions

- a . Keep this unit away from fire, extremely hot areas, water or moisture of any Kind.
- b . Do not place this unit on any support that is not firm, level and strong.
- c . Do not service the unit yourself. Opening the unit's housing will void the warranty.
- d . Servicing must be by Shinybow or by an authorized technician.
- e . Illegal duplication of copyrighted material is strictly prohibited by Federal Laws.

Typical Hookup and Operation

Front Panel



Front View:
Power SW : ON/OFF
Input : Composite/Audio
DC Input : DC12V, @500mA

Rear Panel



Rear View:
Output: 8 x Composite Video
Stereo Audio (R/L).

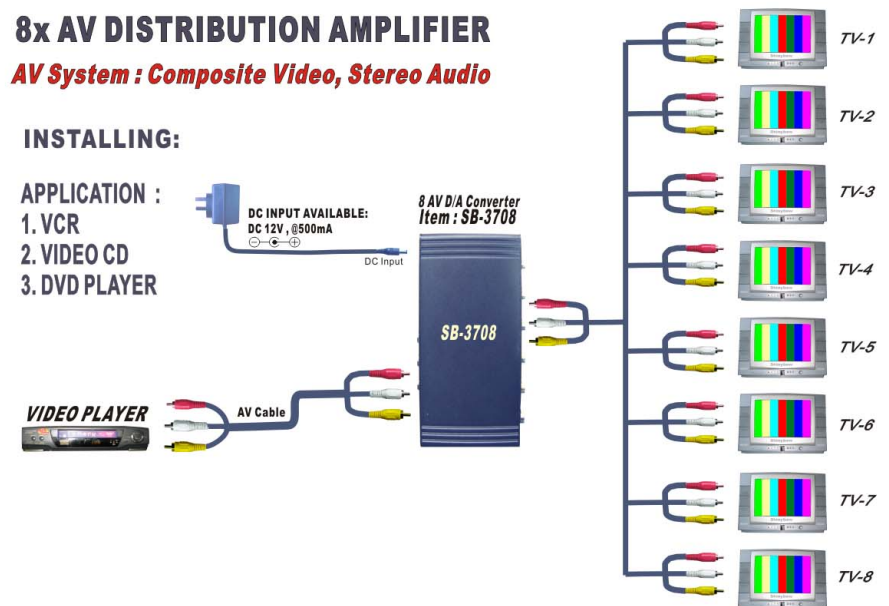
8x AV DISTRIBUTION AMPLIFIER

AV System : Composite Video, Stereo Audio

INSTALLING:

APPLICATION :

1. VCR
2. VIDEO CD
3. DVD PLAYER



**Congratulations! The switcher is now ready for use.
Switch on your player and TV and enjoy high quality colour.**