

SWIT®

S-2320/S-2330

LED Spot light

Ver:A

USER MANUAL

SWIT Electronics Co.,LTD.

Tel:+86-25-85805753
Fax:+86-25-85805296
http://www.swit.cc
E-mail: contact@swit.cc

Thank you for choosing SWIT products. Please read the instructions before using, and keep it for future reference

Appearance

S-2320 (Fig 1-Fig 3) :

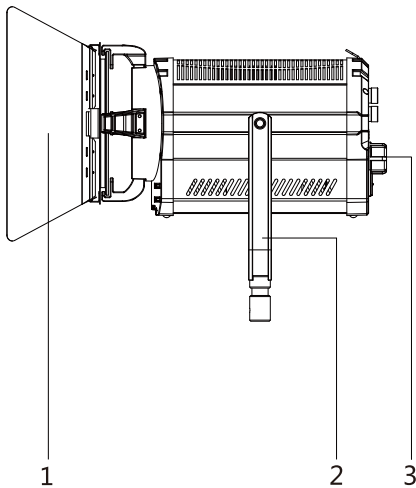


Fig 1

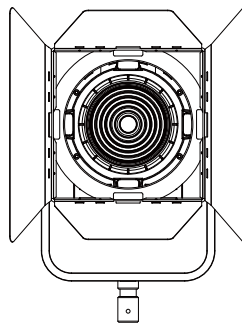


Fig 2

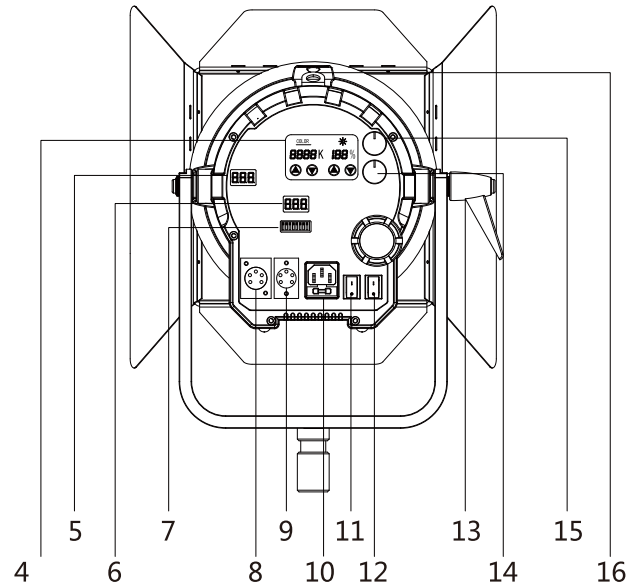


Fig 3

S-2330 (Fig 4-Fig 6) :

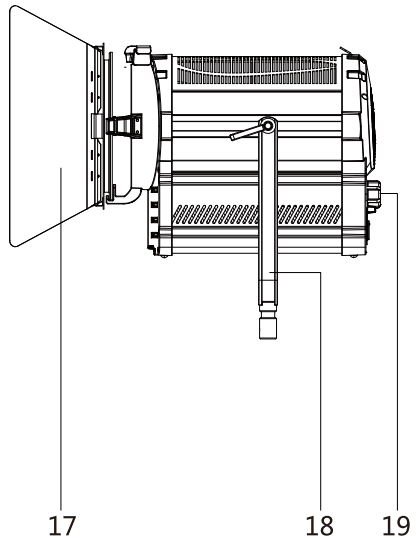


Fig 4

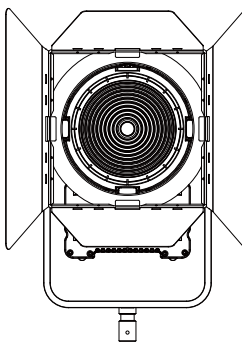


Fig 5

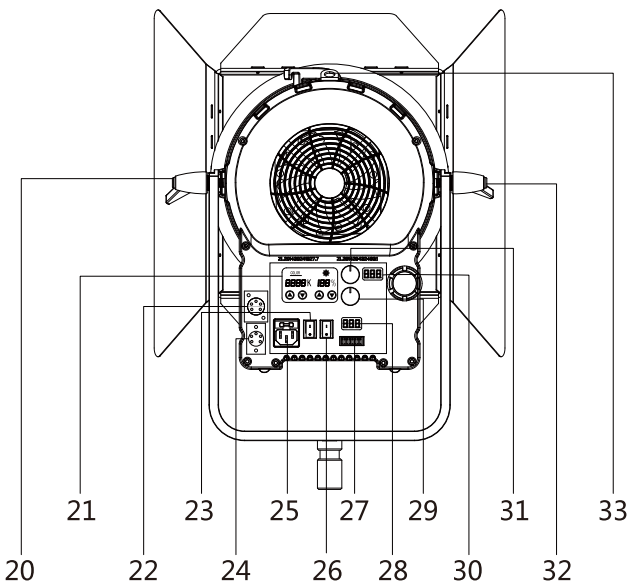


Fig 6

- | | | | |
|-----------------------|---------------------------------|----------------------------------|--------------------------------|
| 1、 17 Barn door | 5、 30 Color temperature display | 9、 24 DMX input | 13、 20、 32 U shape rotary knob |
| 2、 18 U shape bracket | 6、 28 DMX address display | 10、 25 Power socket /Safety Ring | 14、 29 Brightness knob |
| 3、 19 Focus knob | 7、 27 DMX DIP switch | 11、 23 power switch | 15、 31 Color temperature knob |
| 4、 21 LCD screen | 8、 22 DMX output | 12、 26 Fan switch | 16、 33 Safety Ring |

Feature

1. Adopt ultra-bright Surface Mounted LEDs with accurate color temperature and 50,000hrs long life time;
2. 3000K-8000K continuously adjustable color temperature; 10% to 100% PWM digital integrated dimming, and the process is smooth, stable and no flash;
3. Three ways of adjusting color temperature and brightness: LCD screen、Brightness/Color temperature knob、DMX controller, simple and easy;
4. Real-time light beads temperature monitoring, with overheating protection, maximally ensure the LED service life;
5. With dormant and Semi-light fanless ultra-quiet function
6. With a special black-out cloth, can effectively prevent light leakage;
7. Adopt light and control box integrated design, easy to install and use;
8. Apply to studio scenery lighting, film shooting and other professional camera shooting field

Caution

1. Please DO NOT disassemble the light or touch its inside with metal objects to avoid damage;
2. Please DO NOT use the light outdoors under rain and snow, or put in damp environment;
3. Please DO use the safety ropes when hanging the light;
4. Only use the light in the temperature range of -10°C~40°C.

Specifications

Model	S-2320	S-2330
Beam angle	20°-70°	
Color temperature	3000K-8000K	
CRI	≥95	
TLCI	≥95	
Working voltage	AC 100-240V 50/60Hz	
Power	Appr.160W	Appr.300W
Dimensions (mm)	390 x 320 x 370	490 x 500 x 400
Weight	5Kg	11.1Kg
Accessories	Barndoor、Power supply cable、Hood、U shape bracket	

Luminance

Model Distance	Spot		Flood	
	S-2320	S-2330	S-2320	S-2330
3m	1800 Lux	5940 Lux	546 Lux	913 Lux
5m	666 Lux	2139 Lux	196 Lux	364 Lux
7m	320 Lux	1090 Lux	100 Lux	193 Lux

Usage

1. Installation

Install the U shape bracket, Barn doors and hood according to requirements before using; when hanging the light, please use the safety rope, the rope should run through the U shape bracket and safety ring

2. Mute

When you need a ultra-quiet environment or do not need high-brightness, you can turn off the fan switch, the light brightness will reduce by 50% (fan switch to "I" is on, to "O" is off)

3. Color temperature and Brightness adjust

Support 3000K-8000K color temperature continuously adjustable, 10%-100% flick-free dimming, when color temperature set to 5500K, and brightness is 100%, the light reaches its maximum brightness.

Please plug the power supply cable when the power switch is off to avoid any damage (power switch to "I" is on, to "O" is off). After powered on, user can adjust the color temperature and brightness according to their requirements.

(1)、LCD screen

Long press the two contactors under the color temperature display can quickly adjust color temperature; long press the two contactors under brightness display can quickly adjust the brightness.

(2)、Adjust by Brightness/Color temperature knob

Rotate the brightness/color temperature knob clockwise, the brightness/color temperature value increase; rotate counterclockwise, the value decrease.

(3)、Adjust by DMX controller

Connect light to DMX controller with DMX cable, operation as follow:

● DMX control

One light occupies 2 DMX channels. The current set DMX address (N) is assigned to Brightness controlling; and the next DMX address (N+1) is assigned to Color temperature controlling. For example:

If the light DMX address set to 005, then correspondingly DMX channel and function shown in table 1:

DMX channel	Function
CH5	Brightness adjustment from 0%-100%
CH6	Color temperature adjustment from 3000K-8000K

Table 1

● DMX address setting

S-2320 and S-2330 adopt 10-bit binary DIP switch (Fig 7) to set the DMX channel address, dial the DIP switch to "ON", the add value is effectively, dial to "OFF", the add value is 0.

MX address is the sum of the value of all DIP switches. The setting range is 1-512. DIP switch and their add value shown in Table 2:



DMX CHANNEL

Fig 7 Binary code switch

DIP switch	Add value
1	1
2	2
3	4
4	8
5	16
6	32
7	64
8	128
9	256
10	512

Table 2

For example:

DMX address is 37, $37 = 1 + 4 + 32$, the DIP switch 1、3、6 should dial to "ON" (mark as "1"), other DIP switches are "OFF" (mark as "0"), the DIP switch state should be 1010010000.

4. Focus adjust

Rotate the focus knob clockwise, the light beam angle decrease; rotate counterclockwise, the light beam angle increase.

5. Sleep mode

When using, if temporarily do not need light output, user can choose to turn off the power switch, or use the sleep function:

Press the brightness knob, the light is under sleep mode, LCD screen displays "OFF"; Press the knob again to cancel the sleep mode, the light brightness and color temperature restore to previous settings.