



APS-1  
Pole Stand

For TAURI™ Series Tablets | Weight Capacity: 20 lb

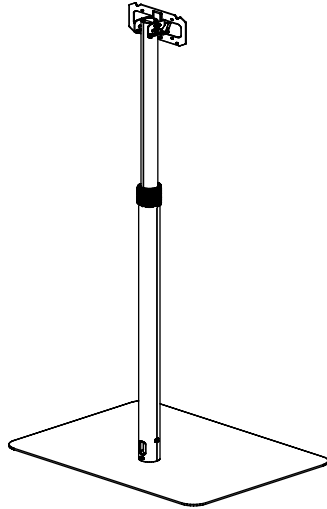
www.auroramm.com

sales@auroramm.com

EN Instruction Manual

ES Manual de Instrucciones

FR Manuel D'instructions



## WARNING!



**WARNING! SEVERE PERSONAL INJURY AND PROPERTY DAMAGE CAN RESULT FROM IMPROPER INSTALLATION OR ASSEMBLY. READ THE FOLLOWING WARNINGS BEFORE BEGINNING.**

Do not use this product for any purpose not explicitly specified by Aurora Multimedia. Improper installation may cause property damage or personal injury. If you do not understand these directions, or have doubts about the safety of the installation, contact Aurora Multimedia Customer Service or call a qualified contractor. Aurora Multimedia is not liable for damage or injury caused by incorrect mounting, assembly, or use.

The hardware provided with this product, is exclusively intended for installation on walls made of solid wood, concrete, concrete block or solid wood columns with a maximum of 16 mm of drywall. For walls made of other materials, for example hollow bricks, please consult your installer and/ or specialist supplier.

**DO NOT EXCEED THE MAXIMUM WEIGHT CAPACITY FOR THIS PRODUCT**

ES

## ¡ADVERTENCIA!

ES

**¡ADVERTENCIA! LA INSTALACIÓN O EL MONTAJE INAPROPIADOS PUEDEN PROVOCAR LESIONES, DAÑOS MATERIALES O INCLUSO LA MUERTE. ANTES DE COMENZAR, LEA LAS SIGUIENTES ADVERTENCIAS.**

No utilice este producto para ningún fin que no sea explícitamente especificado por Aurora Multimedia. Una instalación inadecuada puede provocar daños materiales o lesiones personales. Si no entiende las instrucciones de montaje o tiene alguna duda sobre la seguridad de la instalación, contacte con Aurora Multimedia o llame a un operario cualificado. Aurora Multimedia no es responsable de daños o lesiones causados por el montaje, ensamblaje o uso incorrectos.

El ferretería que incluye este producto, es exclusivamente destinado a ser instalado en las paredes de madera maciza, hormigón, bloques de concreto o columnas de madera sólida con un máximo de 16 mm de drywall. Para las paredes hechas de otros materiales, por ejemplo, ladrillos huecos, por favor consulte a su instalador y / o distribuidor especializado.

**NO EXCEDA LA CAPACIDAD DE PESO MÁXIMA PARA ESTE PRODUCTO.**

FR

## AVERTISSEMENT

FR

**AVERTISSEMENT! SI CE PRODUIT N'EST PAS CORRECTEMENT INSTALLÉ OU ASSEMBLÉ, IL RISQUE DE CAUSER DES BLESSURES GRAVES, VOIRE MORTELLES, AINSI QUE DES DOMMAGES MATÉRIELS IMPORTANTS. AVANT DE COMMENCER, LISEZ LES AVERTISSEMENTS SUIVANTS.**

N'utilisez pas ce produit à une fin non spécifiée expressément par Aurora Multimedia. Une installation incorrecte peut entraîner des préjudices corporels ou des dommages matériels. Si vous ne comprenez pas ces instructions ou si vous avez des doutes quant à la sécurité de l'installation, veuillez contacter le service clientèle de Aurora Multimedia ou un installateur qualifié. Aurora Multimedia n'est pas responsable des dommages ou des préjudices causés par un montage, un assemblage ou une utilisation incorrects.

Le matériel fourni avec ce produit, est exclusivement destiné à être installé sur des murs en bois massif, en béton, blocs de béton ou des colonnes en bois massif avec un maximum de 16 mm de plaques de plâtre. Pour les murs faits d'autres matériaux, comme la brique creuse, s'il vous plaît consulter votre installateur et / ou fournisseur spécialisé.

**NE DÉPASSEZ JAMAIS LA CAPACITÉ DE CHARGE MAXIMALE DE CE PRODUIT.**

# WEIGHT CAPACITY

**EN** Maximum Weight Capacity

**ES** Peso máximo de pantalla

**FR** Poids maximal de l'écran

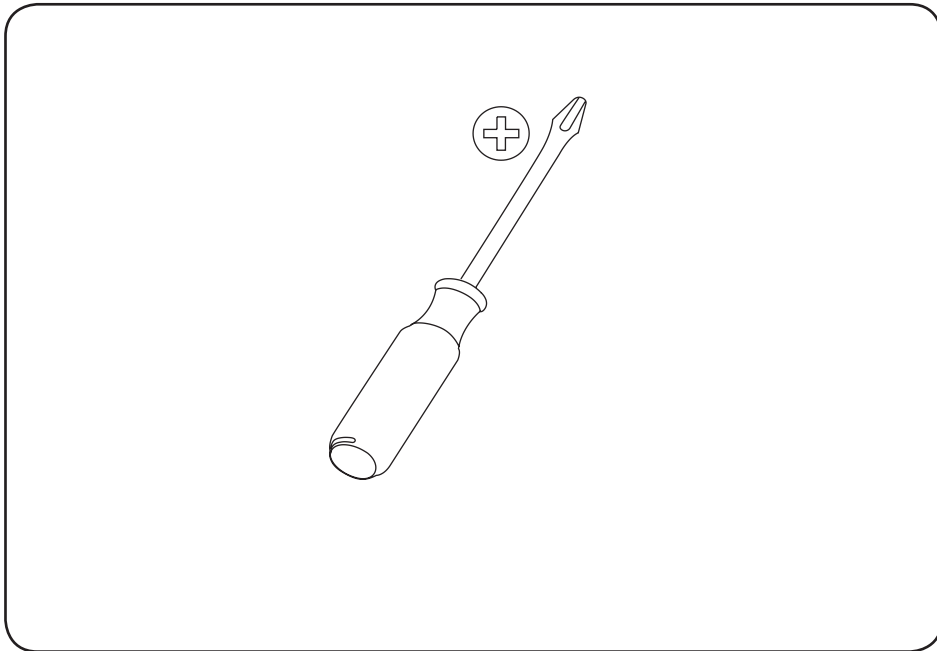
**20lb / 9.07kg**



# TOOLS REQUIRED

**ES** Herramientas necesarias

**FR** Outils nécessaires

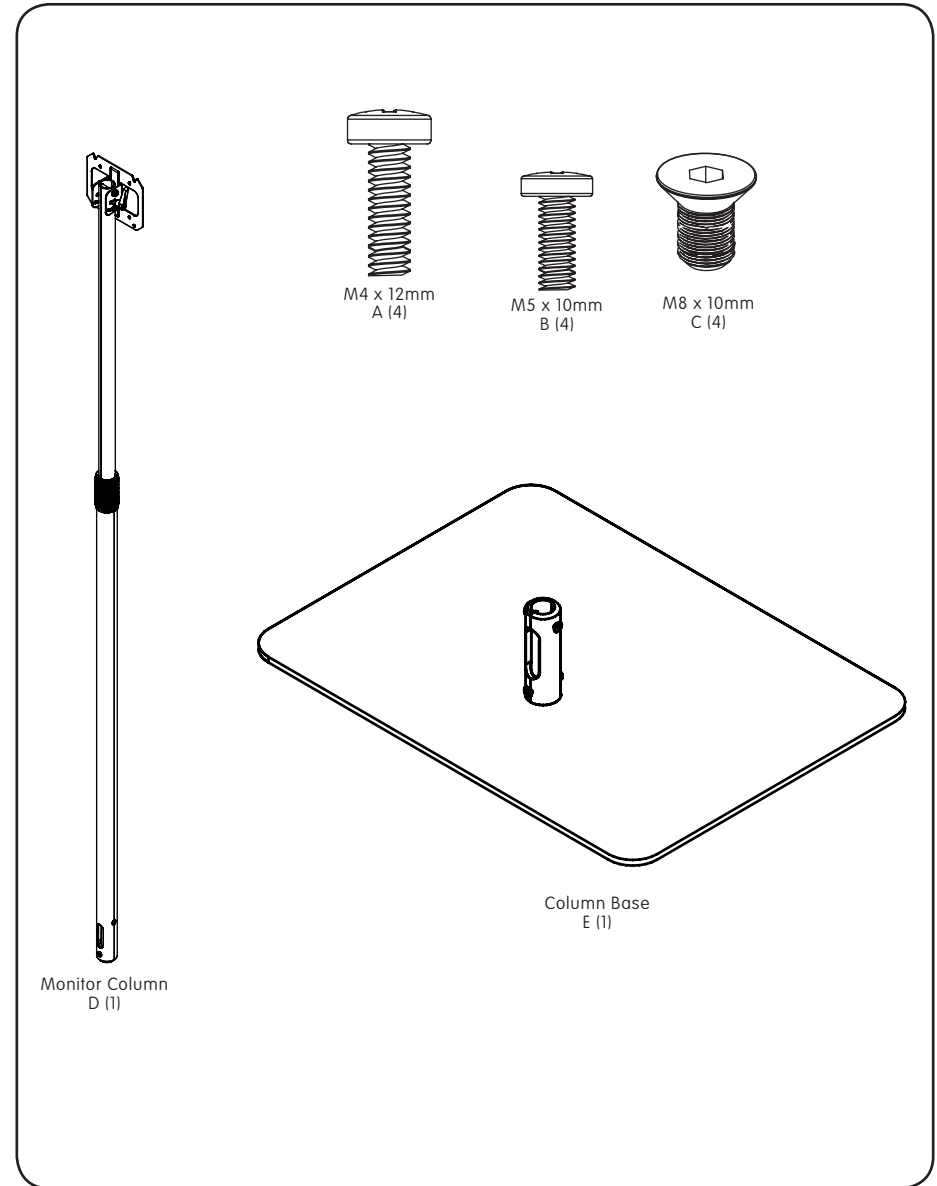


**EN**

# PACKAGE CONTENTS

**ES** Contenido del paquete

**FR** Contenu de l'emballage



# INSTALL INSTRUCTIONS

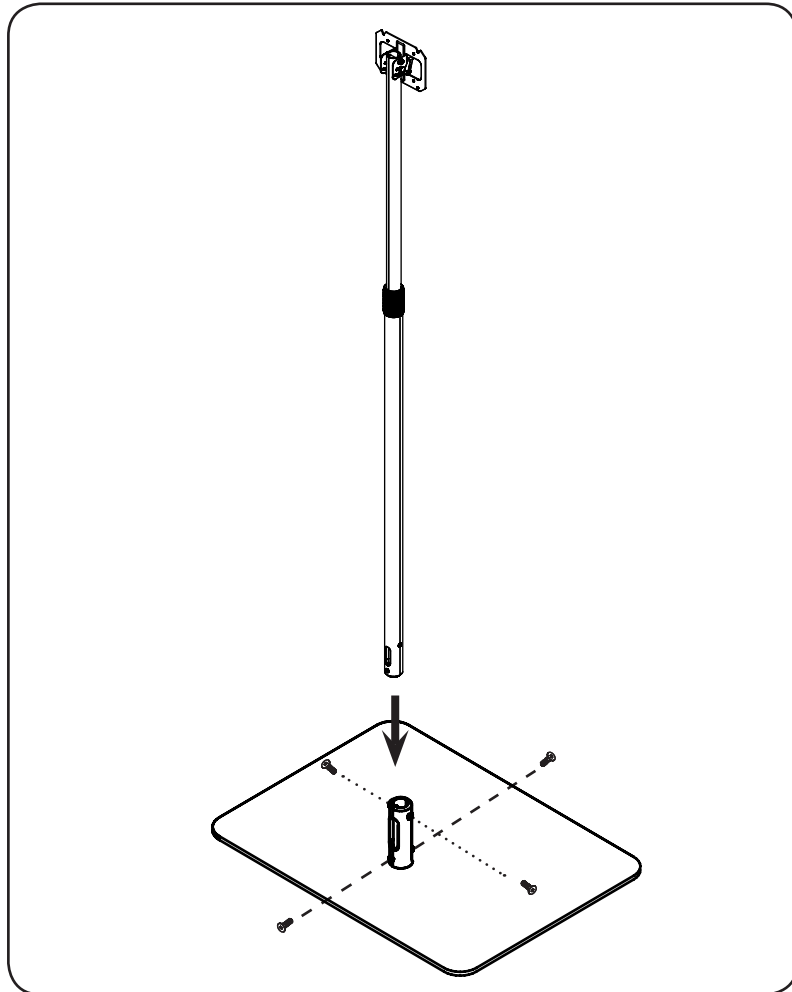
**ES** Instrucciones de instalación **FR** Instructions d'installation

## 1 ATTACH BASE TO COLUMN

**EN** Connect base (E) to column (D) using screws (A-C).

**ES** Conecte base (E) a la columna (D) a l'aide des vis (A-C).

**FR** Connectez base (E) à la colonne (D) à l'aide des vis (A-C).

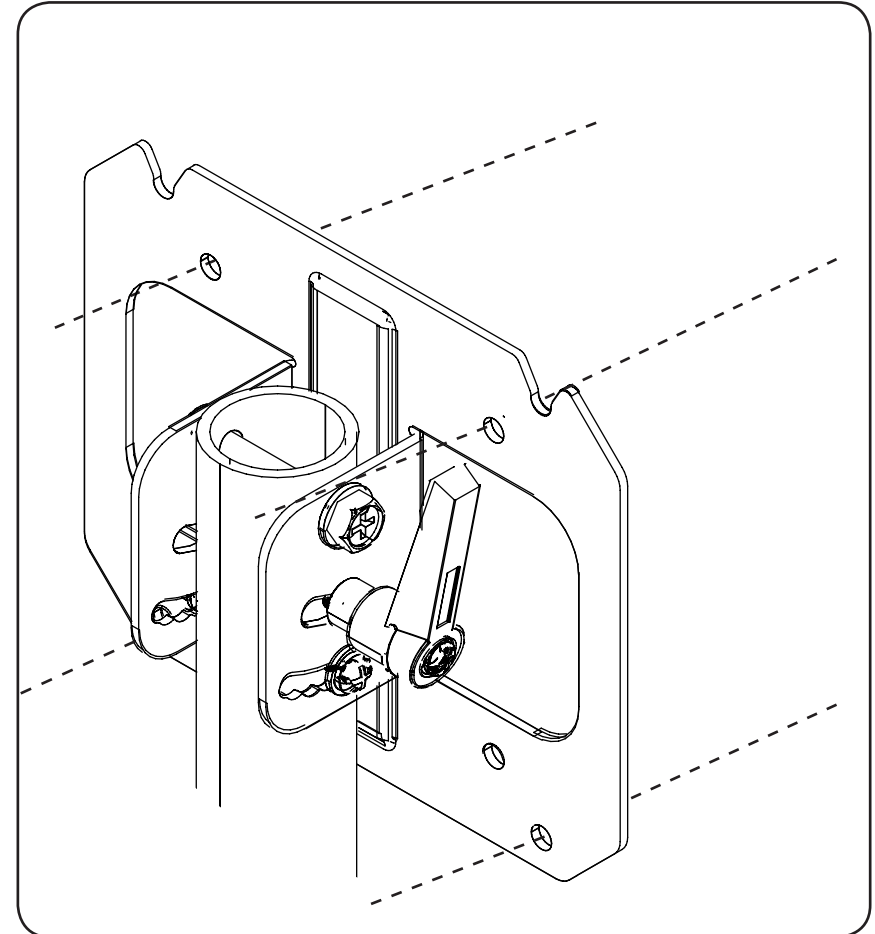


## 2 ATTACH MONITOR TO PLATE

**EN** Attach monitor to plate using screws (A-C).

**ES** Coloque el monitor para grabar utilizando Tornillos (A-C).

**FR** Fixez le moniteur à enregistrer à l'aide de vis (A-C).



**3**

### ADJUST TILT IF NEEDED

**EN**

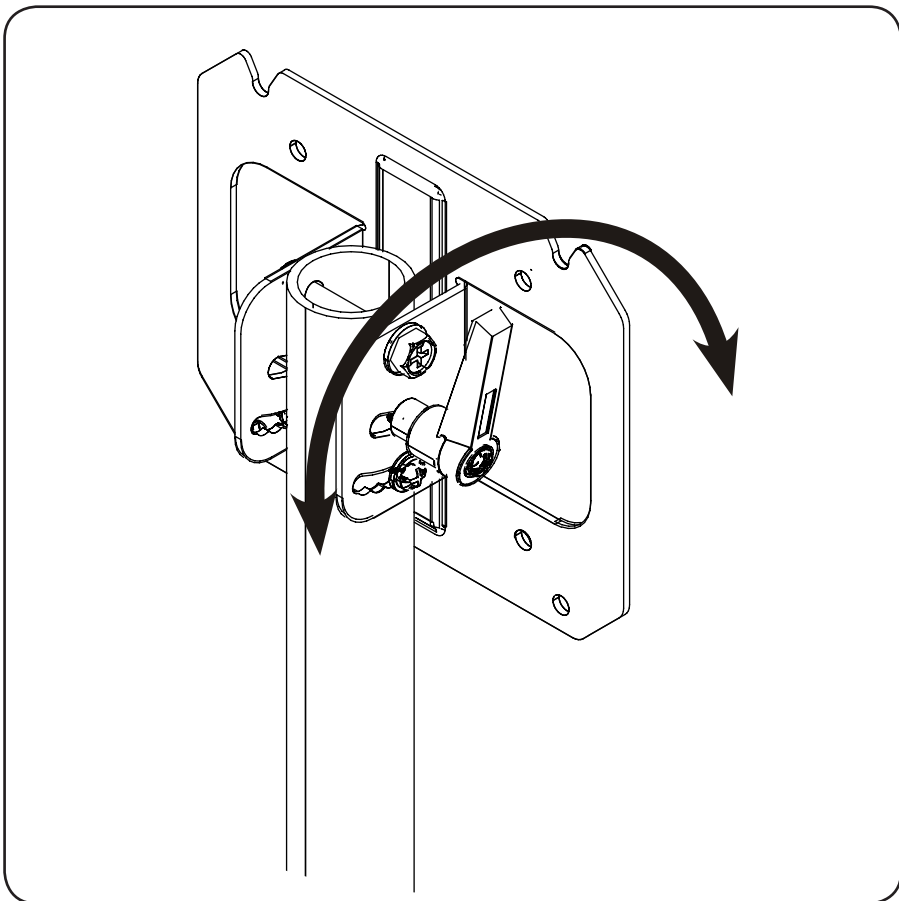
If needed, adjust the degree of tilt using the lever on side of plate.

**ES**

Si es necesario, ajustar el grado de inclinación con el un lado del hígado o placas.

**FR**

Si nécessaire, ajuster le degré d'inclinaison en utilisant le foie d'un côté ou des plaques.



**4**

### ADJUST HEIGHT IF NEEDED

**EN**

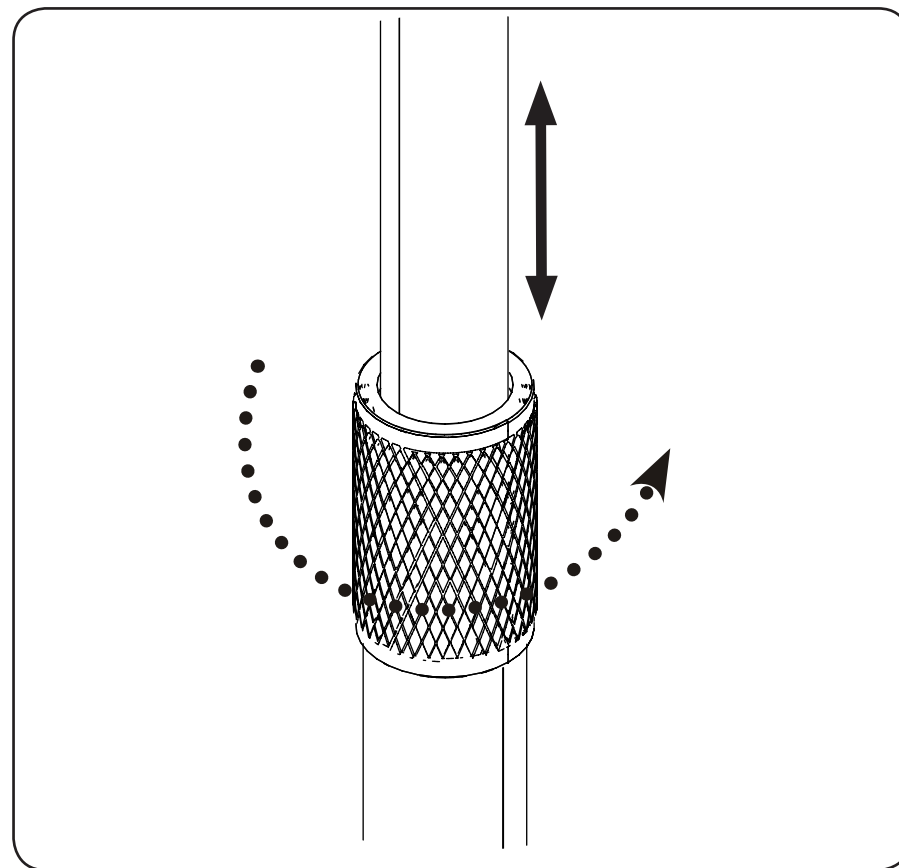
Adjust stand height by twisting barrel in middle of column and extending top.

**ES**

Base regulable en altura girando el barril en la columna de Extensión de media y alta.

**FR**

Réglable hauteur du pied en tournant le baril dans la colonne Extension moyenne et supérieure.



# LIMITED 5 YEAR WARRANTY

Aurora Multimedia Corporation ("Manufacturer") warrants that this product is free of defects in both materials and workmanship for a period of 5 years as defined herein for parts and labor from date of purchase. This Limited Warranty covers products purchased in the year of 2019 and after. Motorized mechanical parts (Hard Drives, DVD, etc.), mechanical parts (buttons, doors, etc.), remotes and cables are covered for a period of 1 year. Touch screen displays are covered for 1 year; touch screen overlay components are covered for 90 days. Supplied batteries are not covered by this warranty. During the warranty period, and upon proof of purchase, the product will be repaired or replaced (with same or similar model) at our option without charge for parts or labor for the specified product lifetime warranty period. This warranty shall not apply if any of the following:

- A. The product has been damaged by negligence, accident, lightning, water, act-of-God or mishandling; or,
- B. The product has not been operated in accordance with procedures specified in operating instructions; or,
- C. The product has been repaired and or altered by other than manufacturer or authorized service center; or,
- D. The product's original serial number has been modified or removed; or,
- E. External equipment other than supplied by manufacturer, in determination of manufacturer, shall have affected the performance, safety or reliability of the product; or,
- F. Part(s) are no longer available for product.

In the event that the product needs repair or replacement during the specified warranty period, product should be shipped back to Manufacturer at Purchaser's expense. Repaired or replaced product shall be returned to Purchaser by standard shipping methods at Manufacturer's discretion. Express shipping will be at the expense of the Purchaser. If Purchaser resides outside the contiguous US, return shipping shall be at Purchaser's expense.

No other warranty, express or implied other than Manufacturer's shall apply.

Manufacturer does not assume any responsibility for consequential damages, expenses or loss of revenue or property, inconvenience or interruption in operation experienced by the customer due to a malfunction of the purchased equipment. No warranty service performed on any product shall extend the applicable warranty period. This warranty does not cover damage to the equipment during shipping and Manufacturer assumes no responsibility for such damage. This product warranty extends to the original purchaser only and will be null and void upon any assignment or transfer.



Aurora Multimedia Corp.  
205 Commercial Court | Morganville, NJ 07751  
Phone: +1 732-591-5800 | Fax: 732-591-6801  
sales@auroramm.com | www.auroramm.com