

VC-A52S Quick Installation Guide

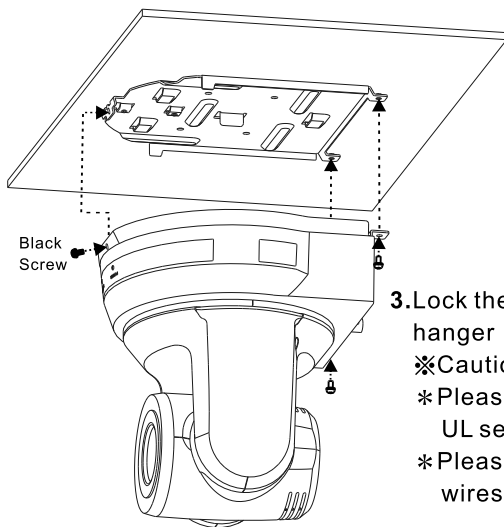
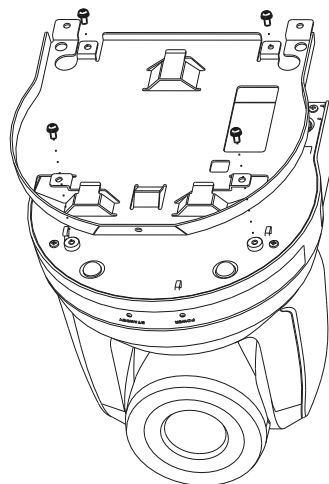
1. I would like to install Camera on the ceiling

1.1 Prepare for the parts and equipment required during the installation

- ▶ Accessories of Camera in the box (metal plates A, B, M3 screw silver x 8, black x 2)
- ▶ Screw for locking on ceiling mounted hanger x 4
- ▶ Drilling machine, screw driver, ladder

1.2 Installation steps

1. Please adjust resolution on DIP Switch at first.
(Please refer to [2. Instruction on DIP SWITCH Setting](#))
2. Fix the metal plate A on the machine base with 4 M3 silver screws.

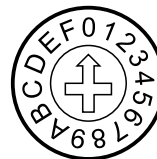


3. Lock the metal plate B on ceiling mounted hanger
 ※Caution:
 * Please use the hanger that has obtained UL security approval.
 * Please reserve the hole for the connecting wires of the camera.

4. Combine the metal plate A and the metal plate B
 - ▶ Push the metal plate A up to the ceiling and then to the right to latch the metal plate B.
 - ▶ And then secure with 2 M3 silver screws and 1 M3 black screw.

2. Instruction on DIP SWITCH Setting

2.1 OUTPUT SWITCH 2.2 IR SELECT



Setting	Output Mode
0	1920x1080/60p
1	1920x1080/50p
2	1920x1080/30p
3	1920x1080/25p
4	1920x1080/60i
5	1920x1080/50i
6	1280x720/60p
7	1280x720/50p
8	1280x720/30p
9	1280x720/25p
A	1080/59.94p
B	1080/59.94i
C	1080/29.97p
D	720/59.94p
E	720/29.97p
F	Reserved

ID	Setting
1	
2	
3	

3.RS-232 Connection Instructions

