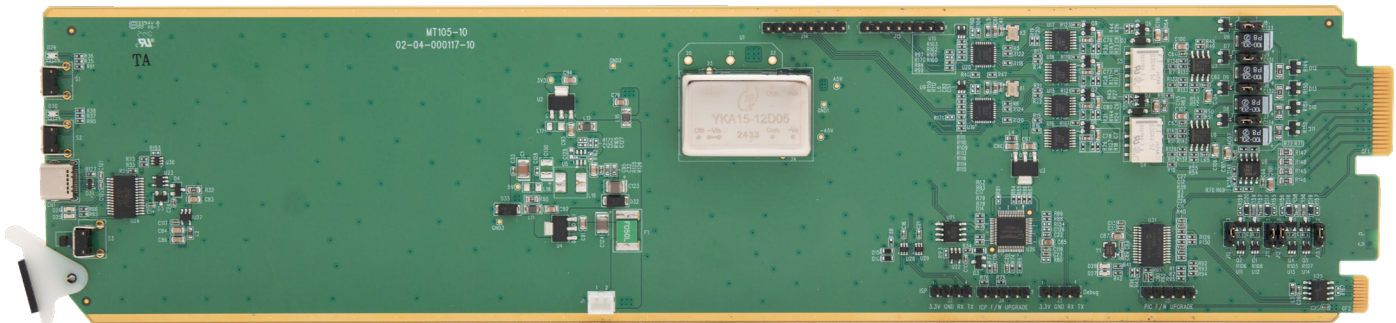


openGear

OG-SYNC-ACO

Auto Change Over for OG-SYNC



OG-SYNC-ACO-MB

Key Features

- OGX/3.0 card-based form factor
- Dashboard control enabled
- 2 ACO (Auto Change Over) switches on one card
- Supports NTSC/PAL black burst and HD tri-level sync I/O
- Supports Auto switch, manual switch and GPI trigger switch
- Customizable switch time
- Customizable restore time
- Low power consumption
- 5 year limited warranty

Specifications

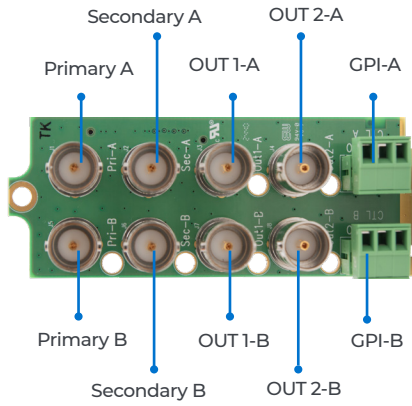
Input	Black Burst, Tri-level Sync	Output	Black Burst, Tri-level Sync, AES, LTC, Word Clock
Control	Dashboard		

OPENGEAR

OG-SYNC-ACO

OG-SYNC-ACO-RM

Rear Module (2 slots)



How to Order

OG-SYNC-ACO-SET-1

OG-SYNC-ACO-MB +

OG-SYNC-ACO-RM

Related Products

OGX-FR-C-P

openGear X frame

