



4K HDMI Matrix Switch

USER MANUAL

VM0404HA

EMC INFORMATION

FEDERAL COMMUNICATIONS COMMISSION INTERFERENCE

STATEMENT: This equipment has been tested and found to comply with the limits for a Class A digital device, pursuant to Part 15 of the FCC Rules. These limits are designed to provide reasonable protection against harmful interference when the equipment is operated in a commercial environment. This equipment generates, uses, and can radiate radio frequency energy and, if not installed and used in accordance with the instruction manual, may cause harmful interference to radio communications. Operation of this equipment in a residential area is likely to cause harmful interference in which case the user will be required to correct the interference at his own expense.

This device complies with Part 15 of the FCC Rules. Operation is subject to the following two conditions: (1) this device must not cause harmful interference, and (2) this device must accept any interference received, including interference that may cause undesired operation.

FCC Caution: Any changes or modifications not expressly approved by the party responsible for compliance could void the user's authority to operate this equipment.

Warning: This equipment is compliant with Class A of CISPR 32. In a residential environment this equipment may cause radio interference.

KCC Statement

유선 제품용 / A 급 기기 (업무용 방송 통신 기기)

이 기기는 업무용 (A 급) 전자파적합기기로서 판매자 또는 사용자는 이점을 주의하시기 바라며, 가정 외의 지역에서 사용하는 것을 목적으로 합니다.

RoHS

This product is RoHS compliant.

SJ/T 11364-2006

The following contains information that relates to China.

| 部件名称 | 有毒有害物质或元素 | | | | | |
|------|-----------|---|---|-----|------|-------|
| | 铅 | 汞 | 镉 | 六价铬 | 多溴联苯 | 多溴二苯醚 |
| 电器部件 | ● | ○ | ○ | ○ | ○ | ○ |
| 机构部件 | ○ | ○ | ○ | ○ | ○ | ○ |

○: 表示该有毒有害物质在该部件所有均质材料中的含量均在SJ/T 11363-2006规定的限量要求之下。

●: 表示符合欧盟的豁免条款, 但该有毒有害物质至少在该部件的某一均质材料中的含量超出SJ/T 11363-2006的限量要求。

×: 表示该有毒有害物质至少在该部件的某一均质材料中的含量超出SJ/T 11363-2006的限量要求。



VM0404HA USER MANUAL

ONLINE REGISTRATION

| | |
|---------------|---|
| International | http://eservice.aten.com |
|---------------|---|

TELEPHONE SUPPORT

| | |
|----------------|-------------------------|
| International | 886-2-8692-6959 |
| China | 86-400-810-0-810 |
| Japan | 81-3-5615-5811 |
| Korea | 82-2-467-6789 |
| North America | 1-888-999-ATEN ext 4988 |
| United Kingdom | 44-8448-158923 |

TECHNICAL SUPPORT

- ◆ For international online technical support – including troubleshooting, documentation, and software updates:
<http://eservice.aten.com>
- ◆ For North American technical support:

| | | |
|--------------------------|--|---|
| Email Support | | support@aten-usa.com |
| Online Technical Support | Troubleshooting Documentation Software Updates | http://www.aten-usa.com/support |
| Telephone Support | | 1-888-999-ATEN ext 4998 |

PACKAGE CONTENTS

The VM0404HA 4x4 4K HDMI Matrix Switch package contains the following items:

- ◆ 1 VM0404HA 4x4 4K HDMI Matrix Switch
- ◆ 1 Power Adapter
- ◆ 1 IR Remote Control
- ◆ 1 IR Receiver
- ◆ 1 Mounting Kit
- ◆ 1 User Instructions*

Check to make sure that all the components are present and that nothing got damaged in shipping. If you encounter a problem, contact your dealer.

Read this manual thoroughly and follow the installation and operation procedures carefully to prevent any damage to the unit, and/or any of the devices connected to it.

* Features may have been added to the VM0404HA since this manual was printed. Please visit our website to download the most up-to-date version of the manual.

Copyright © 2016 ATEN® International Co., Ltd.
Manual Date: 2016-12-28

ATEN and the ATEN logo are trademarks of ATEN International Co., Ltd. All rights reserved. All other trademarks are the property of their respective owners.

OVERVIEW

The ATEN VM0404HA, a 4x4 4K HDMI Matrix Switch supports up to 4K resolutions, including UHD (3840 x 2160) and DCI (4096 x 2160), and refresh rates of 30 Hz (4:4:4) and 60 Hz (4:2:0). Ready for future high-definition trends, the VM0404HA is ideal for applications where the routing of up to 4K digital video signals is required, such as in classrooms, auditoriums and department stores.

The matrix switch offers an easy and affordable way to route any of 4 HDMI video sources to any of 4 HDMI displays and can be controlled and operated through front-panel pushbuttons, IR and RS-232, ensuring optimum control capabilities.

FEATURES

- ◆ Connects any of 4 HDMI sources to any of 4 HDMI displays
- ◆ Supports 4K resolutions of UHD (3840 x 2160) and DCI (4096 x 2160) with refresh rates of 30 Hz (4:4:4) and 60 Hz (4:2:0)
- ◆ EDID Expert™ – selects optimum EDID settings for smooth power-up, high-quality display, and use of the best video resolution across different screens
- ◆ Multiple Control Methods – system management via front-panel pushbuttons, IR and RS-232 serial control
- ◆ Supports Dolby True HD and DTS HD Master audio
- ◆ Signaling rates up to 3.4 Gbits for flawless 4K output
- ◆ HDMI (3D, Deep Color, 4K) and HDCP 1.4 compatible
- ◆ Consumer Electronics Control (CEC) allows interconnected HDMI devices to communicate and respond to a single remote control
- ◆ Supports ATEN LockPro™ HDMI cable lock for securing HDMI cables
- ◆ ESD protection for HDMI ports
- ◆ Firmware upgradeable
- ◆ Rack Mountable 1U design

SYSTEM REQUIREMENTS

SOURCE DEVICES

- ◆ HDMI Type A output connector(s)

Note: A DVI/HDMI adapter is required when connecting a DVI source device.

DISPLAY DEVICES

- ◆ Display devices or receivers with an HDMI Type A input connector

CABLES

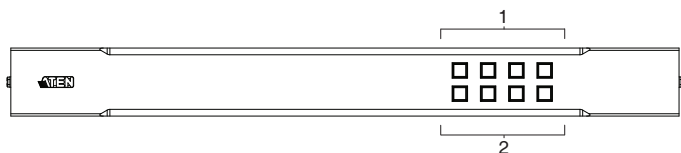
- ◆ 1 HDMI cable for each source device you will be connecting
- ◆ 1 HDMI cable for each display device you will be connecting

Note: 1. No cables are included in this package. We strongly recommend that you purchase high-quality cables of the appropriate length since this will affect the quality of the audio and video display. Contact your dealer to purchase the correct cable sets.

2. If you wish to utilize the VM0404HA's high-end serial controller function, you will need to purchase an appropriate RS-232 cable. See *Installing the RS-232 Controller*, page 12.

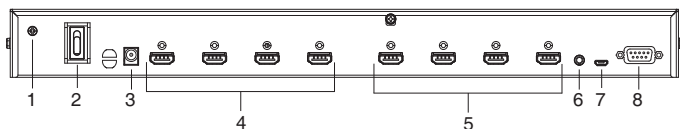
COMPONENTS

VM0404HA FRONT VIEW



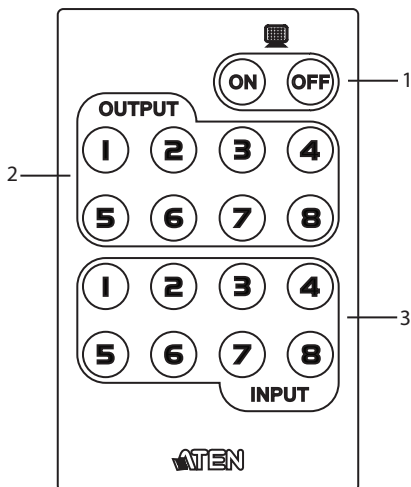
| No. | Component | Function |
|-----|--------------------|--|
| 1 | Input Pushbuttons | <p>These pushbuttons refer to the HDMI Input ports found on the VM0404HA rear panel. Press to select the Input port and display the connected Output ports which are indicated by the Orange LED lights. When an Input pushbutton is pressed you can press one or multiple Output pushbuttons to connect them to the selected input source.</p> <p>Note: The INPUT (1–4) front panel pushbuttons have built-in Blue LEDs that light to indicate they have been selected.</p> |
| 2 | Output Pushbuttons | <p>These pushbuttons refer to the HDMI Output ports found on the VM0404HA rear panel. Press to select the Output port and then press an Input port pushbutton to connect it to that input source.</p> <p>Note: The OUTPUT (1–4) front panel pushbuttons have built-in Orange LEDs that light to indicate they have been selected.</p> |

VM0404HA REAR VIEW



| No. | Component | Function |
|-----|---------------------------|---|
| 1 | Grounding Terminal | The grounding wire attaches here. See <i>Grounding</i> , page 11, for further details. |
| 2 | Power Switch | This is a standard rocker switch that powers the unit on and off. |
| 3 | Power Jack | This is the DC power jack. The power cord from a power source plugs in here. |
| 4 | HDMI Output Ports | The cables from the HDMI display devices plug into these ports. |
| 5 | HDMI Input Ports | The cables from the HDMI source devices plug into these ports. |
| 6 | External IR Receiver Port | This 3.5 mm Mini Stereo Jack connects to the IR Receiver unit included with your product. |
| 7 | Micro USB Port | This micro USB port allows users to upgrade the VM0404HA's firmware. |
| 8 | RS-232 Serial Port | This serial remote port is for input source selection. |

IR REMOTE CONTROL



| No. | Component | Function |
|-----|------------------------|---|
| 1 | Power ON/OFF | Use the ON and OFF pushbuttons to turn the Output displays on or off – by individual port, or all ports. See <i>IR Remote Selection</i> , page 16 for details. |
| 2 | Output Pushbuttons 1–4 | Press Output pushbuttons 1–4 to select the display you want to configure, then within 2 seconds press the Input pushbutton 1–4 to select the source for the display. For detailed instructions, see <i>Output Pushbuttons</i> , page 15. |
| 3 | Input Pushbuttons 1–4 | Press Input pushbuttons 1–4 to select the source you want to display after you have pressed an Output pushbutton 1–4. You must press the Input pushbutton within 2 seconds after pressing the Output pushbutton. For detailed instructions, see <i>Input Pushbuttons</i> , page 15. |

Note: The model number of the remote control unit shown above is 2XRT-0106G.

INSTALLATION



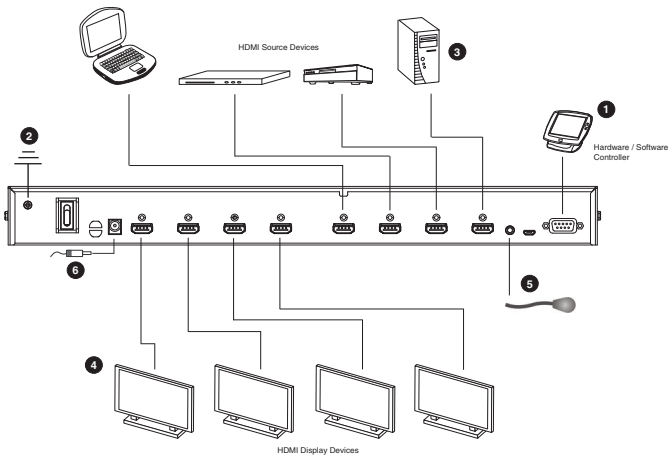
1. Make sure that the power to any device that you connect to the installation has been turned off.
2. Make sure that all devices you will be installing are properly grounded.

Installation of the VM0404HA is simply a matter of plugging in the appropriate cables. To install the switch, refer to the installation diagram below as you perform the following steps:

1. (Optional) If you are using the serial control function, use an appropriate RS-232 serial cable to connect the computer or serial controller to the VM0404HA's female **RS-232** port.
2. Use a grounding wire to ground the unit by connecting one end of the wire to the grounding terminal and the other end of the wire to a suitably grounded object.

Note: Note: Do not omit this step. Proper grounding helps to prevent damage to the unit from surges and static electricity.

3. Use HDMI cables to connect the HDMI In ports on the video display devices to the **HDMI Out** ports on the rear of the VM0404HA.
4. Use HDMI cables to connect the HDMI Out ports on the source device(s) to the **HDMI In** ports on the VM0404HA. Four HDMI In ports are located on the rear of the switch.
5. Connect the IR Receiver to the **External IR Receiver** Input Port.
6. Plug the provided power adapter into an appropriate AC power source; plug the power adapter cable into the Power Jack on the VM0404HA.
7. You may now power on the display and source devices.



INSTALLING THE RS-232 CONTROLLER

In order to use the RS-232 serial interface to attach a high-end controller (such as a PC) to the VM0404HA, use an appropriate serial cable (such as a modem cable). The end connecting to the VM0404HA should have a 9-pin male connector. Connect this to the serial interface on the rear of the VM0404HA. Refer to number 1 on the diagram above.

Note: To configure the controller serial port, see page 18.

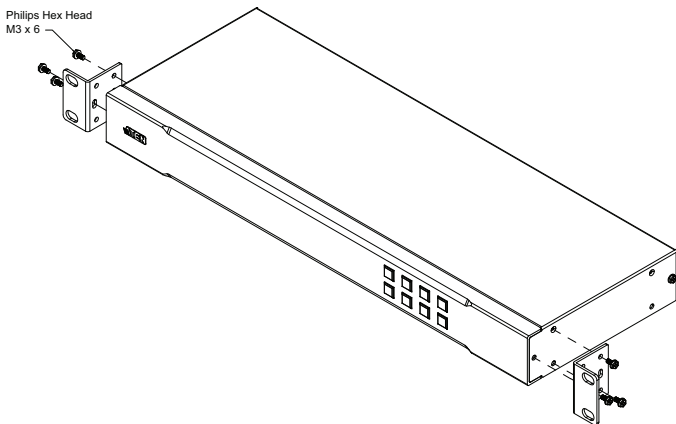
RACK MOUNTING



1. Important safety information regarding the placement of this device is provided on page 25. Please review it before proceeding.
2. Make sure that the power to all devices connected to the installation are turned off. You must unplug the power cords of any computers that have the Keyboard Power On function.

The VM0404HA can be mounted in a 19" (1U) system rack. For the most convenient front panel pushbutton configuration and operation at the local site, mount the unit at the front of the rack, as follows:

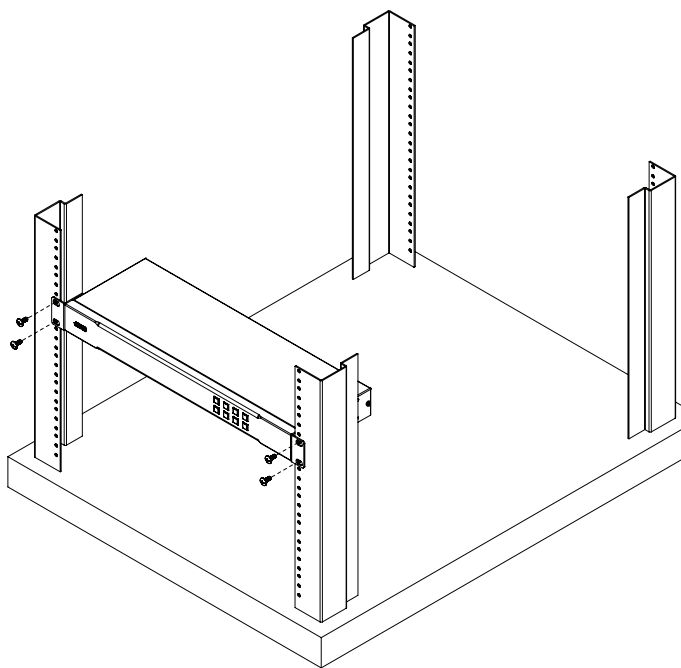
1. Use the M3 x 6 Phillips head hex screws supplied with the Rack Mount Kit to screw the rack mounting brackets onto the front of the unit.



2. Position the unit in the front of the rack and align the holes in the mounting brackets with the holes in the rack.

(continues on next page)

3. Screw the mounting brackets to the rack.



SOURCE DEVICE SELECTION

The VM0404HA offers easy and flexible source and display selection via front panel pushbuttons, IR remote control, and the RS-232 serial interface.

FRONT PANEL SELECTION

To manually select an HDMI source for an HDMI display use the front panel pushbuttons to select the Output and Input connections.

Press the Output pushbutton that corresponds to the port which the display is connected and then press the Input pushbutton of the source device you want to connect it to. Advanced selection methods are explained below.

OUTPUT PUSHBUTTONS

First, press one or multiple **Output** pushbuttons (1–4) to select the display(s) and then press the Input pushbutton (1–4) to connect a source to the selected display(s).

INPUT PUSHBUTTONS

First, press an **Input** pushbutton to select a source and then press one or multiple Output pushbuttons to connect the display(s) to the selected source.

When you press an Input pushbutton the Output pushbutton LEDs will light to indicate which displays are connected to that input source.

Note: During normal operations, the Input pushbutton LEDs will switch between ports to indicate which input source is currently connected to each display.

IR REMOTE SELECTION

The remote control can change the Input source for any Output display, power on/off individual Output displays and power on/off all Output displays simultaneously. Before using the remote control, the IR External Receiver must first be plugged into the rear of the VM0404HA and placed where the IR signals can be received.

TO CHANGE A DISPLAY'S SOURCE DEVICE:

1. Press the **Output** port number (1-4) you want to change.
2. Within 2 seconds press the **Input** port number (1-4) to select the new input source for the display.

TO POWER ON/OFF ALL DISPLAYS:

1. Press the **ON** or **OFF** pushbutton.

The ON and OFF pushbuttons bring all displays to the same power status, regardless of the individual power statuses.

TO POWER ON/OFF INDIVIDUAL DISPLAYS:

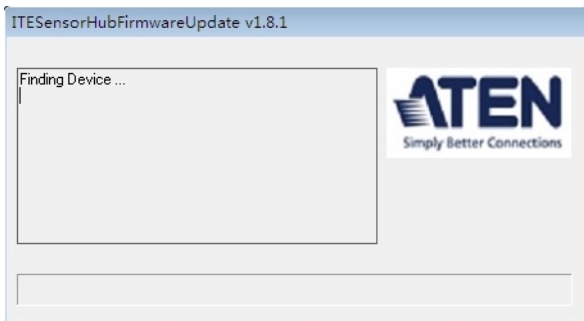
1. Press the **Output** port number (1-4) you want to power on/off.
2. Within 2 seconds* press the **ON** or **OFF** pushbutton.

*If ON or OFF is pressed after 2 seconds, all the displays will be powered on or off, instead of just the individual Output selected.

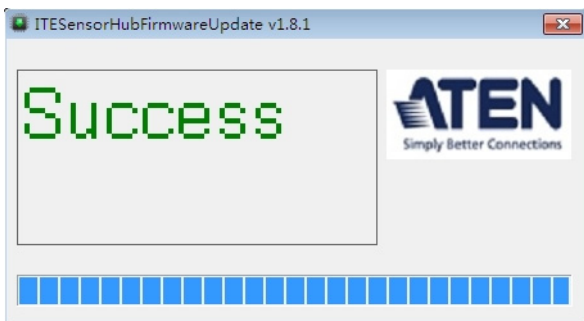
FIRMWARE UPGRADE

To upgrade the firmware, power off the VM0404HA and do the following:

1. Download the firmware upgrade package from the VM0404HA product page on our website: www.aten.com
2. Save and unzip the VM0404HA_upgrade_tool.exe (upgrade file) to your computer.
3. Connect the computer to the VM0404HA's Micro USB port via a USB cable.
4. Power on the VM0404HA.
5. After a few seconds, double click the VM0404HA_upgrade_tool.exe file to start the firmware upgrade process, and a window appears:



6. After the upgrade is complete, a message will appear:



7. Power off VM0404HA, then power it back on again.

RS-232 SERIAL INTERFACE

The VM0404HA's built-in bi-directional RS-232 serial interface allows system control through a high-end controller, PC, and/or home automation / home theater software package.

CONFIGURING THE SERIAL PORT

The controller's serial port should be configured as follows:

| | |
|--------------|-------|
| Baud Rate | 19200 |
| Data Bits | 8 |
| Parity | None |
| Stop Bits | 1 |
| Flow Control | None |

SWITCH PORT COMMANDS

The formula for Switch Port commands are as follows:

Switch Command + Input Command + Port number + Output Command + Port Number + Control + [Enter]

1. For example, to switch input port 02 (audio and video) to output port 03, type the following:

sw i02 o03 [Enter]

2. To turn off video and audio on port 03, type the following:

sw o3 off [Enter]

3. To switch the next output to port 2, type the following:

sw i02 + [Enter]

The following tables show the possible values for commands:

| Command | Description |
|---------|----------------|
| sw | Switch command |

| Input Command | Description |
|---------------|---------------|
| i | Input command |

| Input Port Number | Description |
|-------------------|----------------------------|
| xx | 01-04 port (default is 01) |

| Output Command | Description |
|----------------|----------------|
| o | Output command |

| Output Port Number | Description |
|--------------------|----------------------------|
| yy | 01-04 port (default is 01) |
| * | All output ports |

| Control | Description |
|---------|---------------|
| on | Turn on |
| off | Turn off |
| + | Next port |
| - | Previous port |

- Note:**
1. Each command string can be separated with a space.
 2. The **Port Number** command string can be skipped, and the default value will be used.

The following table shows the available command list:

| Cmd | In | N1 | Out | N2 | C2 | Description |
|-----|----|----|-----|---------|-----------|---|
| sw | i | xx | o | yy * | | Switch Output Port xx to Input Port yy (xx:01~04, yy:01~04, *) |
| sw | | | o | yy * | on off | Turn on Output Port yy Turn off Output Port yy (yy:01~04, *) |
| sw | | | o | yy * | + - | Switch Next Input to Output Port yy Switch Previous Input to Output Port yy (yy:01~04, *) |

READ COMMANDS

View information from the device using the following command:

Read Command + Port + Control [Enter]

The following tables show the possible values and formats for the **Control** command:

| Command | Description |
|---------|--|
| read | Reads and displays information from the VM0404HA |

The following table shows the available command list:

| Command | Enter | Description |
|---------|---------|--|
| read | [Enter] | Displays information such as firmware version and EDID |

ECHO COMMANDS

If the Echo feature is enabled: for each action from the front panel (pushbuttons) or IR interface, the VM0404HA sends a corresponding acknowledgment message to the attached controller or management device via the RS-232 port.

The formula for the Echo command is as follows:

Echo Command + Control (on/off) + [Enter]

For example, to enable the Echo function, type the following:

echo on [enter]

The following tables show the possible values for commands:

| Command | Description |
|---------|--------------------------------|
| echo | Enable / Disable Echo function |

| Control | Description |
|---------|-----------------------------|
| on | Echo function on |
| off | Echo function off (default) |

The following table shows the available command list:

| Command | Control | Enter | Description |
|---------|---------|---------|-------------|
| echo | on | [Enter] | Echo on |
| echo | off | [Enter] | Echo off |

CEC COMMANDS

Consumer Electronics Control (CEC) allows interconnected HDMI devices to communicate and respond to one remote control. The formula for CEC mode selection commands is as follows:

CEC Command + Output Command + Port Number + Control (Off / On) [Enter]

For example, to enable CEC function on output port 1, type the following:

cec o01 on [enter]

The following tables show the possible values for commands:

| Command | Description |
|---------|-------------|
| cec | CEC control |

| Output Command | Description |
|----------------|----------------|
| o | Output command |

| Port number | Description |
|-------------|----------------------------|
| yy | 01-04 port (default is 01) |
| * | All output ports |

| Control | Description |
|---------|-----------------------|
| off | Disable CEC (default) |
| on | Enable CEC |

Note: Each command string can be separated with a space.

The following table shows the available command list:

| Command | Output Port | Control | Enter | Description |
|---------|-------------|---------|---------|--|
| cec | yy * | off | [Enter] | CEC off for output port yy (default) (yy:01~04, *) |
| cec | yy * | on | [Enter] | CEC on for output port yy (yy:01~04, *) |

PANEL BUTTON CONTROL COMMANDS

The formula for Panel Button commands is as follows:

Panel Button Command + Control + [Enter]

For example, to enable the front panel pushbuttons, type the following:

button on [Enter]

The following tables show the possible values for commands:

| Command | Description |
|---------|---|
| button | Front panel pushbutton enable/disable control |

| Command | Control | Description |
|---------|---------|--|
| button | on | Enable front panel pushbuttons (default) |
| button | off | disable front panel pushbuttons |

The following table shows LED behavior under this command:

| | Buttons Disabled | Buttons Enabled |
|-------------------|---|------------------------------|
| All output on | LEDs flash every second | LEDs on |
| All output off | No LEDs | No LEDs |
| Output on and Off | On – flash every second; Off – no LEDs | On – LEDs on; Off – LEDs off |

EDID MODE SELECTION COMMANDS

Extended Display Identification Data (EDID) is a data format that contains a display's basic information and is used to communicate with the video source/system. You can set which EDID mode the VM0404HA uses with the following command:

EDID Command + Control + [Enter]

For example, to pass the EDID from Port 1 to all sources, type the following:

edid port1 [Enter]

The following tables show the possible values for commands:

| Command | Control | Description |
|---------|---------|--|
| edid | port1 | The EDID from Port 1 will be passed to all video sources |
| edid | remix | Implement the EDID of all connected displays. The VM0404HA uses the best common resolution applicable for all displays |
| edid | default | Implement default EDID for all (default) |

RESET COMMANDS

The formula for Reset commands is as follows:

Reset Command + [Enter]

For example, to reset the device back to the default factory settings, type the following:

reset [Enter]

The following table shows the possible values for commands:

| Command | Description |
|---------|---|
| reset | Reset device back to factory default settings |

VERIFICATION

After entering a command, a verification message appears at the end of the command line as follows:

- ◆ **Command OK** - indicates that the command is correct and successfully performed by the switch
- ◆ **Command incorrect** - indicates that the command has the wrong format and/or values

RS-232 PIN ASSIGNMENT

| Pin | Description | Pin | Description |
|-----|---------------|-----|---------------|
| 1 | Not connected | 6 | Not connected |
| 2 | RXD | 7 | Not connected |
| 3 | TXD | 8 | Not connected |
| 4 | Not connected | 9 | Not connected |
| 5 | GND | | |

SAFETY INSTRUCTIONS

GENERAL

- ◆ Read all of these instructions. Save them for future reference.
- ◆ Follow all warnings and instructions marked on the device.
- ◆ This product is for indoor use only.
- ◆ Do not place the device on any unstable surface (cart, stand, table, etc.). If the device falls, serious damage will result.
- ◆ Do not use the device near water.
- ◆ Do not place the device near, or over, radiators or heat registers.
- ◆ The device cabinet is provided with slots and openings to allow for adequate ventilation. To ensure reliable operation, and to protect against overheating, these openings must never be blocked or covered.
- ◆ The device should never be placed on a soft surface (bed, sofa, rug, etc.) as this will block its ventilation openings. Likewise, the device should not be placed in a built in enclosure unless adequate ventilation has been provided.
- ◆ Never spill liquid of any kind on the device.
- ◆ Unplug the device from the wall outlet before cleaning. Do not use liquid or aerosol cleaners. Use a damp cloth for cleaning.
- ◆ The device should be operated from the type of power source indicated on the marking label. If you are not sure of the type of power available, consult your dealer or local power company.
- ◆ The device is designed for IT power distribution systems with 230V phase-to-phase voltage.
- ◆ To prevent damage to your installation it is important that all devices are properly grounded.
- ◆ The device is equipped with a DC adapter. This is a safety feature.
- ◆ To help protect your system from sudden, transient increases and decreases in electrical power, use a surge suppressor, line conditioner, or un-interruptible power supply (UPS).
- ◆ Position system cables and power cables carefully; Be sure that nothing rests on any cables.
- ◆ Never push objects of any kind into or through cabinet slots. They may touch dangerous voltage points or short out parts resulting in a risk of fire or electrical shock.
- ◆ Do not attempt to service the device yourself. Refer all servicing to qualified service personnel.
- ◆ If the following conditions occur, unplug the device from the wall outlet and bring it to qualified service personnel for repair.
 - ◆ Liquid has been spilled into the device.

- ◆ The device has been exposed to rain or water.
- ◆ The device has been dropped, or the cabinet has been damaged.
- ◆ The device exhibits a distinct change in performance, indicating a need for service.
- ◆ The device does not operate normally when the operating instructions are followed.
- ◆ Only adjust those controls that are covered in the operating instructions. Improper adjustment of other controls may result in damage that will require extensive work by a qualified technician to repair.

RACK MOUNTING

- ◆ Before working on the rack, make sure that the stabilizers are secured to the rack, extended to the floor, and that the full weight of the rack rests on the floor. Install front and side stabilizers on a single rack or front stabilizers for joined multiple racks before working on the rack.
- ◆ Always load the rack from the bottom up, and load the heaviest item in the rack first.
- ◆ Make sure that the rack is level and stable before extending a device from the rack.
- ◆ Use caution when pressing the device rail release latches and sliding a device into or out of a rack; the slide rails can pinch your fingers.
- ◆ After a device is inserted into the rack, carefully extend the rail into a locking position, and then slide the device into the rack.
- ◆ Do not overload the AC supply branch circuit that provides power to the rack. The total rack load should not exceed 80 percent of the branch circuit rating.
- ◆ Make sure that all equipment used on the rack – including power strips and other electrical connectors – is properly grounded.
- ◆ Ensure that proper airflow is provided to devices in the rack.
- ◆ Ensure that the operating ambient temperature of the rack environment does not exceed the maximum ambient temperature specified for the equipment by the manufacturer.
- ◆ Do not step on or stand on any device when servicing other devices in a rack.

SPECIFICATIONS

| Function | VM0404HA |
|---------------------|--|
| Video Input | |
| Interface | 4 x HDMI Type A Female (Black) |
| Impedance | 100 Ω |
| Max Distance | 1.8 m |
| Video Output | |
| Interface | 4 x HDMI Type A Female (Black) |
| Impedance | 100 Ω |
| Max Distance | 15 m |
| Video | |
| Max Data Rate | 10.2 Gbps (3.4 Gbps Per Lane) |
| Max Pixel Clock | 340 MHz |
| Compliance | HDMI (3D, 4K, Deep Color) HDCP 1.4 Compatible Consumer Electronics Control (CEC) |
| Max Resolution | Up to 4096 x 2160 / 3840 x 2160 @ 60 Hz (4:2:0); 4096 x 2160 / 3840 x 2160 @ 30 Hz (4:4:4) |
| Max Distance | Up to 15 M |
| Control | |
| RS-232 | Connector: 1 x DB-9 Female (Black) Baud Rate: 19200 Data Bits: 8, Stop Bits:1 Parity: No, Flow Control: No |
| USB | 1 x Micro USB; F/W upgrade |
| IR | 1 x Mini Stereo Jack Female (Black) |

| Function | VM0404HA |
|----------------------------|-------------------------------------|
| EDID Settings | EDID Modes: Default / Port1 / Remix |
| Power | |
| Connectors | 1 x DC Jack (Black) |
| Consumption | 5 VDC, 10.58 W |
| Environmental | |
| Operating Temperature | 0 - 40° C |
| Storage Temperature | -20 - 60° C |
| Humidity | 0 - 80% RH, Non-Condensing |
| Physical Properties | |
| Housing | Metal |
| Weight | 2.02 kg |
| Dimensions (L x W x H) | 43.72 x 16.29 x 4.40 cm |

LIMITED WARRANTY

IN NO EVENT SHALL THE DIRECT VENDOR'S LIABILITY EXCEED THE PRICE PAID FOR THE PRODUCT FROM THE DIRECT, INDIRECT, SPECIAL, INCIDENTAL OR CONSEQUENTIAL DAMAGES RESULTING FROM THE USE OF THE PRODUCT, DISK OR ITS DOCUMENTATION.

The direct vendor makes no warranty or representation, expressed, implied, or statutory with respect to the contents or use of this documentation, and specially disclaims its quality, performance, merchantability, or fitness for any particular purpose.

The direct vendor also reserves the right to revise or update the device or documentation without obligation to notify any individual or entity of such revisions, or update. For further inquires please contact your direct vendor.