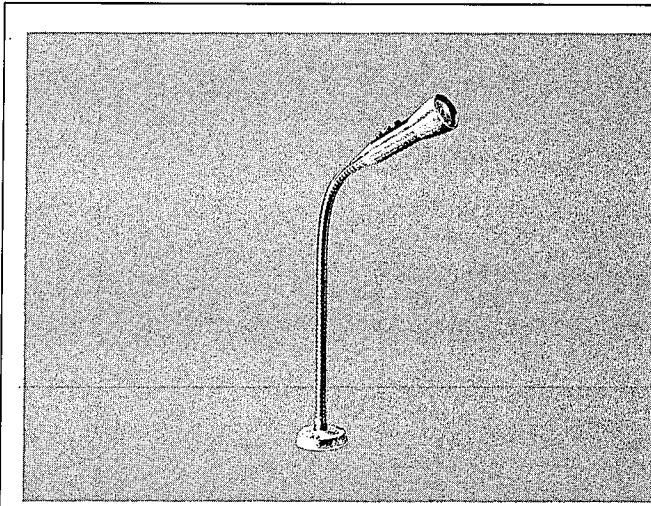


Telex Technical Data

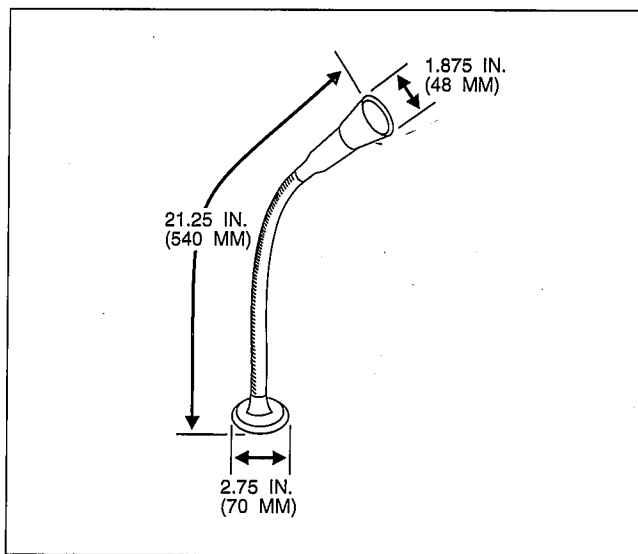
No. 4239-5

Model MP785 Three-Zone Gooseneck Paging Microphone

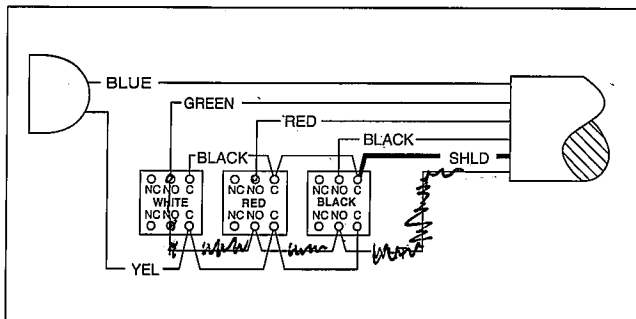


General Description

The MP785 is an omnidirectional gooseneck paging microphone with three color-coded push button switches to select the paging zones. Any or all zones may be called by depressing the appropriate buttons. Three mounting screws are supplied with the microphone.



Dimension Drawing



Wiring Diagram

Specifications

Microphone Element:
Dynamic

Polar Pattern:
Omnidirectional

Frequency Response:
100 Hz to 10,000 Hz

Output Impedance:
150 to 200 ohms (low)

Output Level (open circuit @ 1 kHz, 1 V/ μ bar):
-80 dB

Switching:
Push-button switch for each zone normally open, shorted to ground during call

Construction:
Microphone Housing, Die-cast zinc alloy; flex arm, steel; mounting base, aluminum

Finish:
Satin chrome plate

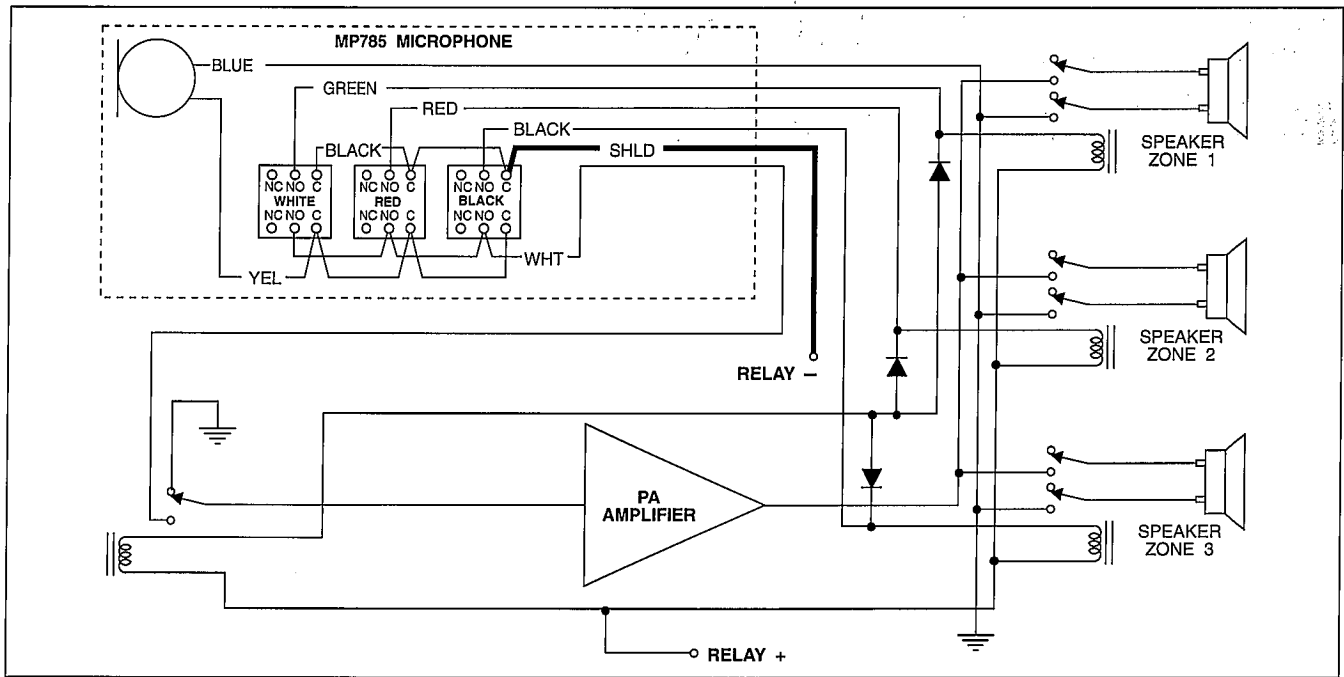
Cable:
52 - inch (1.3 m) shielded 5-conductor with gray PVC jacket, unterminated

Weight:
1.7 lbs (0.77 kg)

A46027N

© Telex Communications, Inc.: January 1992

TELEX®



Typical MP785 Connection Diagram

The microphone switches are used to activate external speaker relays. (The switches are not intended to handle the speaker current.) A relay is also used to ground the PA amplifier input when call buttons are not activated to prevent noise pickup. Diodes are inserted in the microphone switch lines to "steer" the switch to the proper speaker relay while also activating the PA amplifier input relay. Relays should have internal diodes to prevent voltage spikes from being coupled into the microphone line.

Ordering Information

Model MP785 Gooseneck Paging Microphone	46027
Replacement Microphone Element	75329
Replacement Flex Arm	01055-1
Replacement Mounting Flange	02193-2

