

TAHOMA OG-MI-9+ (OPENGEAR)

9 INPUT OPENGEAR MULTIVIEWER CARD WITH HDMI AND SDI OUTPUT

Key Features

- openGear 3.0 card-based form factor
- Low latency - single frame processing delay
- Low energy - only uses 15 W of power
- Accepts 9 auto-detect 3G Level A&B /HD/SD-SDI inputs
- Windows can be sized and moved freely
- HDMI/SDI output in 1080i/P 50/60Hz with embedded audio
- Decode up to 16 embedded audio per SDI input
- Ethernet for configuration and external control
- Dynamic UMD/labels & Tallies (TSL)
- Stand alone labels, customizable logos
- 9 GPIs for tallies, count up/down triggers or preset recall
- Built-in analog/digital clocks can sync with LTC or NTP
- Borders can be turned on or off
- Two sets of safe area markers
- Visual Alarm tags for video/audio alarm detection
- 5 year limited warranty

Rear Module Options

OG-Mi-9-RM (2 slots)

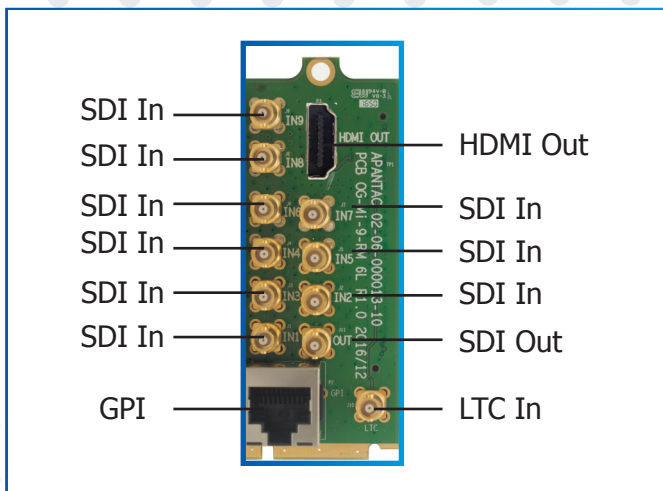
- 9 x SDI Inputs
- 1 x LTC Input
- 1 x SDI Output
- 1 x HDMI Output
- 1 x RJ50 for GPI/Tally

Standard Accessories for RM

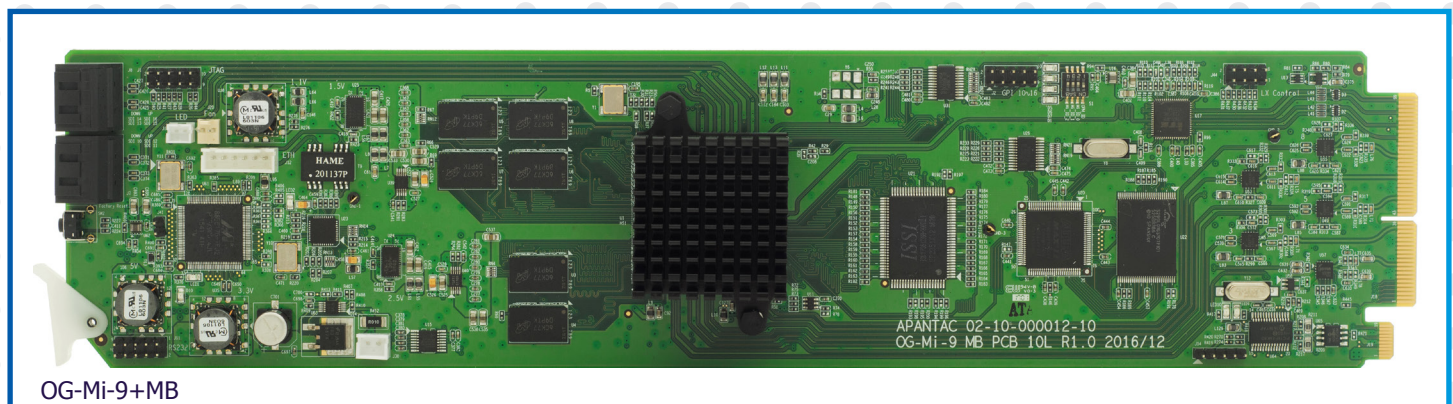
- RJ50 to DB9 (for GPI)
- DB9 to Terminal Block (for GPI)

Optional Accessories for RM

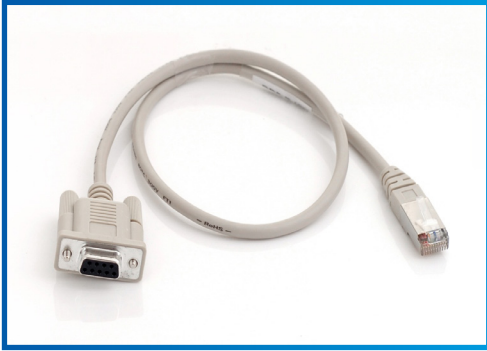
- 11 x HD-BNC to BNC cable



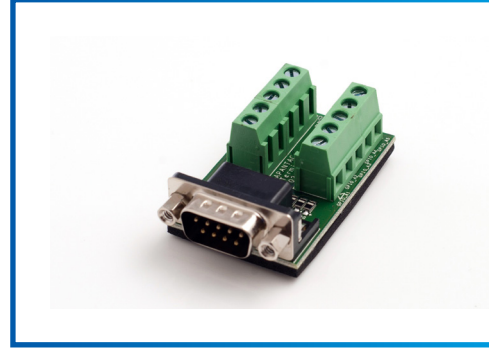
OG-Mi-9-RM



OG-Mi-9+MB



RJ50-DB9: GPI Adapter



DB9 GPI Breakout

How to Order

- OG-Mi-9+-SET-1: OG-Mi-9-MB + OG-Mi-9-RM
- OG-Mi-9+-SET-2: OG-Mi-9-MB + OG-Mi-9-RM + 11 HDBNC to BNC cable

OG-Mi-9+ SPECIFICATIONS			
Inputs	9 3G SDI Level A&B,HD/SD-SDI	Video Outputs	1 set of HDMI and SDI
Connector Type	HD-BNC	Audio Outputs	Embedded HDMI and SDI
Total Windows	9	Output Resolution	1920 x 1080p 50/60Hz
Serial Digital	SMPTE 424M, 292M, 259M	On Screen Display	Borders, labels, tally UMD, OMD, IMD, dynamic UMD
Equalization	120m at 2.97 Gbps, 140m at 1.48 Gbps, 400m at 270 Mbps with Belden 1694A	General Purpose IO	9 inputs with RJ50 - DB9 connectors
Return Loss	> 15db up to 1.485 Gbps > 10db up to 3G	Serial Port	N/A
Embedded Audio	SMPTE-272M-A	IP	100 Base-Tx, TSL, AXP Connector: RJ45
Alarms	No audio, audio high/low, no video, video format display	Electrical	15 W
Alarms	No audio, audio high/low, no video, video format display	EMI/RFI	Complies with FCC Part 15 Class A, CE, EU EMC, C-tick