



## DIP-20 Automatic Video Switcher Quick Start Guide

This guide helps you install and use your product for the first time. For more detailed information, go to <http://www.kramerav.com/manual/DIP-20> to download the latest manual or scan the QR code on the left.

### Step 1: Check what's in the box

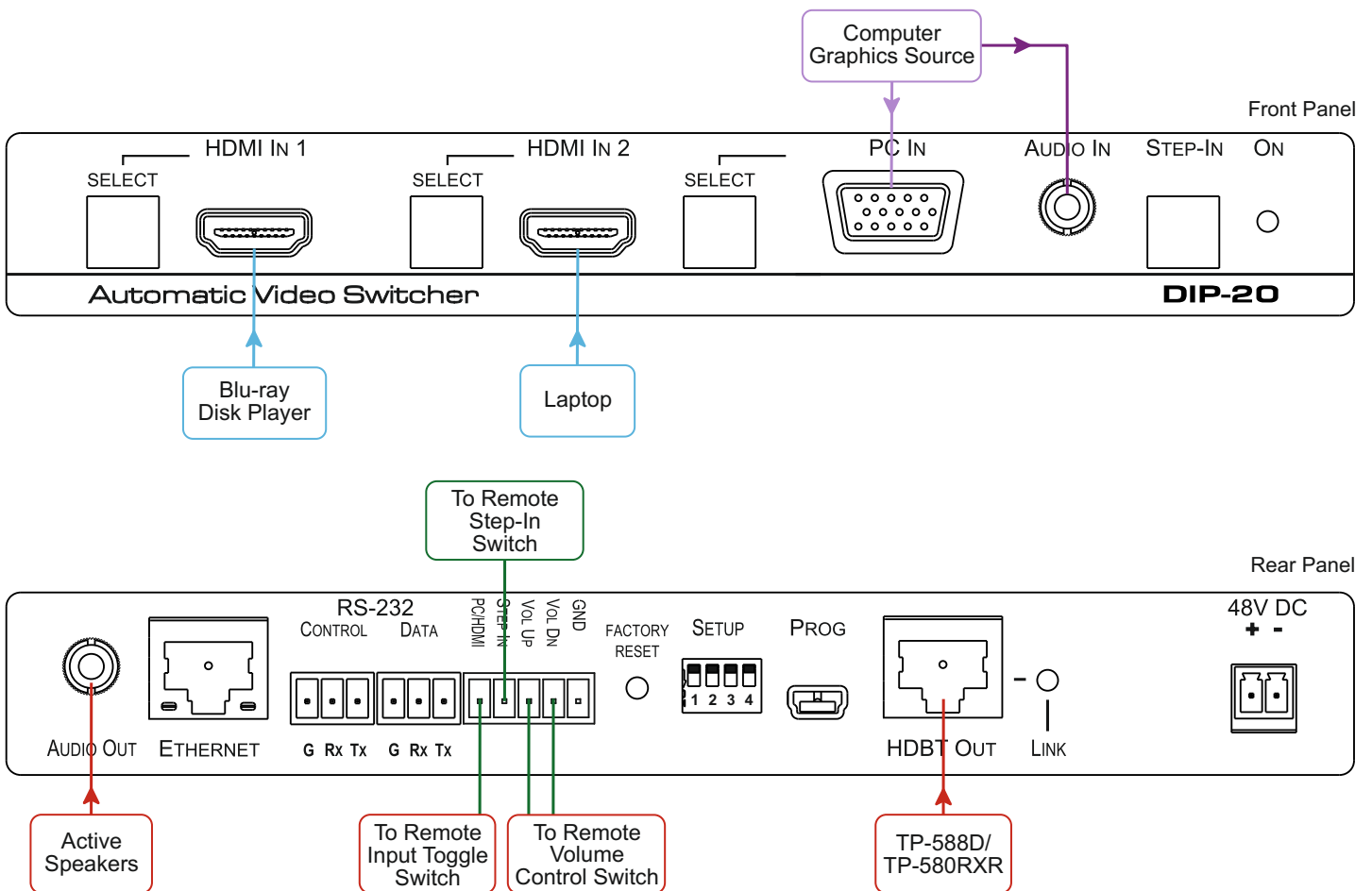
- ✓ DIP-20 Automatic Video Switcher
- ✓ 1 Quick start guide
- ✓ 1 ADC-DPM/HF DisplayPort (M) to HDMI (F) Adapter Cable
- ✓ Power adapter (48V)
- ✓ 4 Rubber feet

### Step 2: Install the DIP-20

Mount the device in a rack (using the optional **RK-T2B** rack adapter available for purchase) or attach the rubber feet and place the device on a shelf.

### Step 3: Connect inputs and outputs

Always switch off the power to all devices before connecting it to your **DIP-20**.  
For best results, we recommend that you always use Kramer high-performance cables to connect AV equipment to the **DIP-20**.



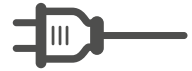
## Step 4: Set the DIP-switches

#	Feature	Function	Switch State	
1	Video Input Selection Mode	Selects manual or auto input selection	On—Manual switching Off—Auto switching	
2	Video Auto Selection Mode	Selects priority or last connected mode	On—Priority mode, (HDMI, VGA) Off—Last connected	
3	Audio Selection Mode	Selects manual or auto audio switching mode	On—Manual switching Off—Auto switching	
4	Audio Input Priority	Sets the audio signal selection priority	On	DIP-switch 3 On: Analog audio input
				DIP-switch 3 Off: HDMI>Analog priority
			Off	DIP-switch 3 On: HDMI audio input
				DIP-switch 3 Off: Analog>HDMI priority

DIP-switch 2 Status	DIP-switch 1 Auto Switching	DIP-switch 1 Manual Switching (On)
Off—Last connected	When two sources are connected the last one connected gets priority	Manual video input selection
On—Priority	When two sources are connected the active source is selected according to the predefined priority	Manual video input selection

## Step 5: Connect the power

Connect the power adapter to the **DIP-20**, and plug the adapter into the mains power. Power on all attached devices.



## Step 6: Operate the DIP-20

### To Operate the DIP-20:

- ◆ Press the Step-In button to activate the input.
- ◆ Press the required Select button to switch to that input.