

# KRAMER



## USER MANUAL

MODEL:

**KWC-1**

Wireless Charging Spot



## KWC-1 Quick Start Guide

This guide helps you install and use your product for the first time. For more detailed information, go to <http://www.kramerav.com/manual/KWC-1> to download the latest manual or scan the QR code on the left.

### Step 1: Check what's in the box

- ✓ 1 KWC-1 wireless charging spot
- ✓ 1 KWC-1 table bracket
- ✓ 1 KWC-MUSB receiver
- ✓ 1 Power supply (5V DC)
- ✓ 1 Quick start guide
- ✓ 1 Mounting screw
- ✓ 1 KWC-LTN receiver
- ✓ 1 Power supply mounting bracket
- ✓ 2 Security springs

### Step 2: Cut an opening in the table

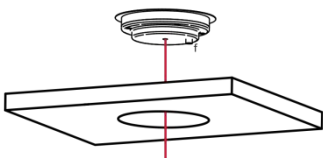
Drill a 106mm to 108mm (4.17in to 4.25in) hole in your table using a hole saw drill bit.

Note that the thickness of the table should be 3in (76mm) or less.

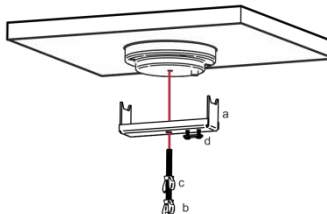


### Step 3: Install the KWC-1

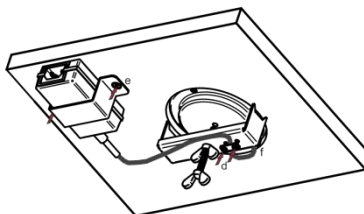
1. Insert the **KWC-1** into the hole cut in the table.
2. Fit the screw into the mounting bracket (a).
3. From underneath the table, insert/slide the screw into the appropriate hole in the **KWC-1**.
4. Tighten the mounting butterfly upward against the table (b).
5. Lock the screw with the locking butterfly (c).



Before inserting the **KWC-1**, insert the security spring loop after connecting it to the wireless charging receiver.



6. Mount the power supply using the power supply mounting bracket and screws (e).
7. Pass the power cord through the cable bracket (d) and connect it to the power connector on the underside of the **KWC-1** (f).
8. Connect the power supply to the mains electricity (power cord purchased separately).



**The system is ready to charge: set your mobile device on the charging spot or use the required receiver for your device.**

# Contents

<b>1</b>	<b>Introduction</b>	<b>1</b>
<b>2</b>	<b>Getting Started</b>	<b>2</b>
2.1	Achieving the Best Performance	2
2.2	Recycling Kramer Products	3
<b>3</b>	<b>Overview</b>	<b>4</b>
3.1	Defining the KWC-1	4
3.2	Power Cord Options	5
<b>4</b>	<b>Installing the KWC-1</b>	<b>6</b>
4.1	Drilling a Hole in the Table	6
4.2	Mounting the KWC-1 in the Table	6
4.3	Connecting the Cables	7
4.4	Securing Wireless Charging Receivers	8
<b>5</b>	<b>Using the KWC-1</b>	<b>9</b>
5.1	Using the KWC-1 Wireless Charging Spot	9
5.2	Using the Receivers	10
<b>6</b>	<b>Technical Specifications of the KWC-1</b>	<b>12</b>
6.1	Technical Specifications of the KWC-MUSB and KWC-LTN	12

## Figures

Figure 1: KWC-1 Wireless Charging Spot	4
Figure 2: Threading the Loop through the Receiver Eyehole	8
Figure 3: Connecting to the Wireless Charging Receiver	8
Figure 4: KWC-1 Boardroom Installation	9
Figure 5: KWC-MUSB Micro USB Receiver	10
Figure 6: KWC-LTN Lightning Receiver	10
Figure 7: Receiver Underside	10

---

# 1 Introduction

Welcome to Kramer Electronics! Since 1981, Kramer Electronics has been providing a world of unique, creative, and affordable solutions to the vast range of problems that confront video, audio, presentation, and broadcasting professionals on a daily basis. In recent years, we have redesigned and upgraded most of our line, making the best even better!

Our 1,000-plus different models now appear in 14 groups that are clearly defined by function: GROUP 1: Distribution Amplifiers; GROUP 2: Switchers and Routers; GROUP 3: Control Systems; GROUP 4: Format/Standards Converters; GROUP 5: Range Extenders and Repeaters; GROUP 6: Specialty AV Products; GROUP 7: Scan Converters and Scalers; GROUP 8: Cables and Connectors; GROUP 9: Room Connectivity; GROUP 10: Accessories and Rack Adapters; GROUP 11: Sierra Video Products; GROUP 12: Digital Signage; GROUP 13: Audio; and GROUP 14: Collaboration.

Thank you for purchasing the Kramer **KWC-1** Wireless Charging Spot , which is ideal for boardrooms, conference and training rooms or any place where wireless charging is required!

---

## 2 Getting Started

We recommend that you:

- Unpack the equipment carefully and save the original box and packaging materials for possible future shipment.
- Review the contents of this user manual.



Go to [www.kramerav.com/downloads/KWC-1](http://www.kramerav.com/downloads/KWC-1) to check for up-to-date user manuals, application programs, and to check if firmware upgrades are available (where appropriate).

### 2.1 Achieving the Best Performance

To achieve the best performance:

- Use only good quality connection cables (we recommend Kramer high-performance, high-resolution cables) to avoid interference, deterioration in signal quality due to poor matching, and elevated noise levels (often associated with low quality cables).
- Do not secure the cables in tight bundles or roll the slack into tight coils.
- Avoid interference from neighboring electrical appliances that may adversely influence signal quality.
- Position your Kramer **KWC-1** away from moisture, excessive sunlight and dust.



This equipment is to be used only inside a building. It may only be connected to other equipment that is installed inside a building.

Do not place heavy objects on top of the **KWC-1**.

## 2.2 Recycling Kramer Products

The Waste Electrical and Electronic Equipment (WEEE) Directive 2002/96/EC aims to reduce the amount of WEEE sent for disposal to landfill or incineration by requiring it to be collected and recycled. To comply with the WEEE Directive, Kramer Electronics has made arrangements with the European Advanced Recycling Network (EARN) and will cover any costs of treatment, recycling and recovery of waste Kramer Electronics branded equipment on arrival at the EARN facility. For details of Kramer's recycling arrangements in your particular country go to our recycling pages at [www.kramerav.com/support/recycling/](http://www.kramerav.com/support/recycling/).

## 3 Overview

**KWC-1** (Kramer Wireless Charging) is a built-in table mounted Qi standard compliant charging spot that enables you to charge your mobile device by simply placing it on the charging spot.



If your mobile device does not feature wireless charging, you can connect it to one of the receivers included in the package and then place it on the charging spot. Note that additional receivers can be purchased separately.

The **KWC-1** features a black or clear anodized sandblast finish.

### 3.1 Defining the KWC-1

This section defines the **KWC-1**.

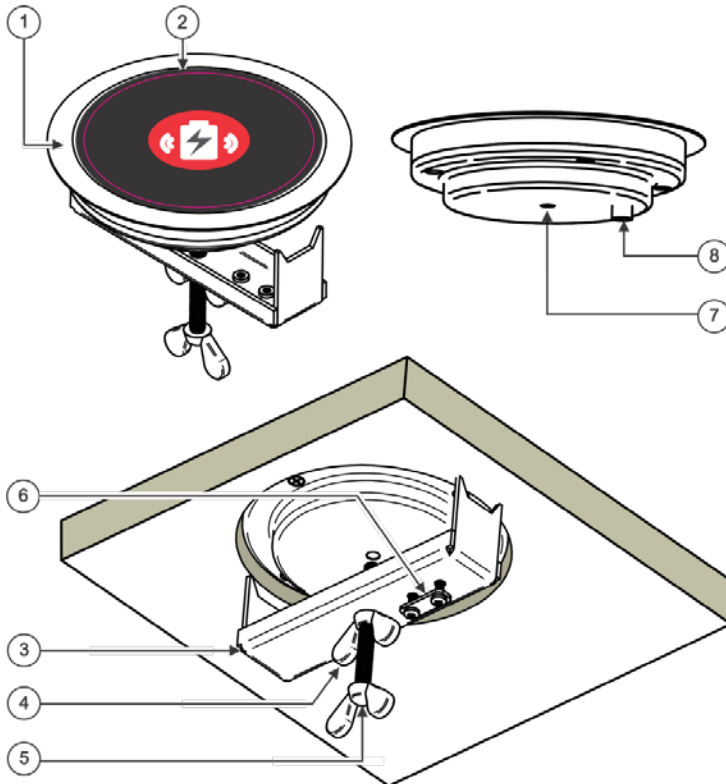


Figure 1: KWC-1 Wireless Charging Spot

#	Feature	Function
1	Outer Rim	Fits over the table surface inserted into the table cutout.
2	Charging Spot	For mobile device wireless charging
3	Mounting Bracket	For securing the unit to the table surface
4	Locking Butterfly Screw	Tighten to lock the mounting butterfly screw (one for each clamp)
5	Mounting Butterfly Screw	Tighten to secure the unit to the table surface.
6	Cable Bracket	To fix the power cable to the unit
7	Bracket Mounting Screw Hole	For inserting the mounting screw
8	5V DC Power Connector	Connects to the power supply

## 3.2 Power Cord Options

You can order any of the following power cords to use with a modular **KWC-1**:

Power Cord Type	Description	P/N
6ft/110V (North America)	C-AC/US (110V)	91-000099
6ft/125V (Japan)	C-AC/JP (125V)	91-000699
6ft/220V (Europe)	C-AC/EU (220V)	91-000199
6ft/220V (Israel)	C-AC/IL (220V)	91-000999
6ft/250V (UK)	C-AC/UK (250V)	91-000299
6ft/250V (India)	C-AC/IN (250V)	91-001099
6ft/250V/10A (China)	C-AC/CN (250V)	91-001199
6ft/250V/10A (South Africa)	C-AC/ZA (250V)	91-001299
240V Y-version (6ft), UK	C-ACY/UK	91-000599



---

## 4 Installing the KWC-1

To install the KWC-1:

1. Cut an opening in the table (see [Section 4.1](#)).
2. Insert the unit through the opening and secure it to the table (see [Section 4.2](#)).
3. Connect the cable (see [Section 4.3](#)).

### 4.1 Drilling a Hole in the Table

To drill an opening in the table:

1. Using any standard hole saw drill bit with a diameter ranging from 106mm to 108mm (4.17in to 4.25in), drill a hole in the table in the desired location.



The thickness of the table should be 3in (76mm) or less.

2. Clean the table surface.

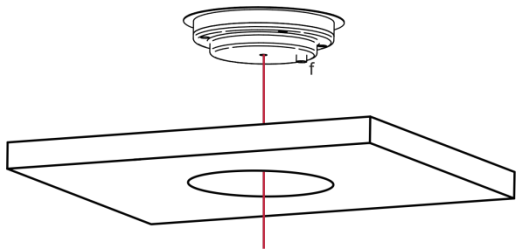


Take care not to damage the table. Kramer Electronics is not responsible for any damage caused to the table.

### 4.2 Mounting the KWC-1 in the Table

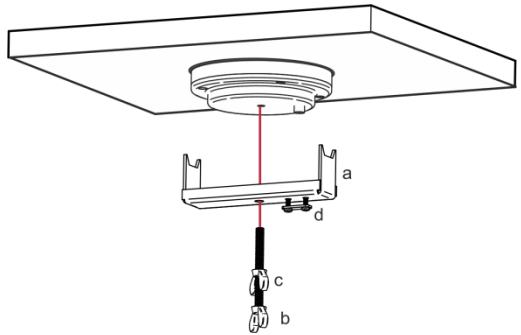
To mount the unit:

1. Insert the **KWC-1** into the hole cut in the table making sure that the outer rim sits firmly against the surface of the table.



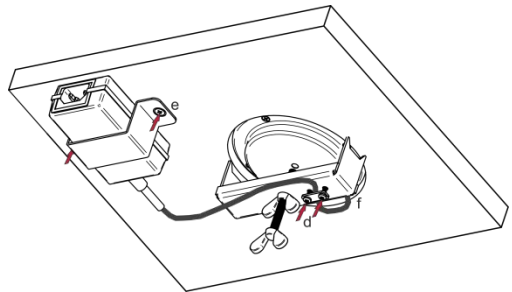
Before inserting **KWC-1**, insert the security spring loop after connecting it to the wireless charging receiver (see [Section 4.4](#)).

2. Fit the screw into the mounting bracket (a).
3. From underneath the table, insert/slide the screw into the appropriate hole in the **KWC-1**. Tighten the mounting screw butterfly (b) upward against the table.



4. Lock the mounting screw into position with the locking butterfly screw (c).

5. Mount the power supply to the underside of the table using the power supply bracket and screws (e).



6. Pass the power cord through the cable bracket (d) and connect to the power connector on the underside of **KWC-1** (f).

## 4.3 Connecting the Cables

Connect the **KWC-1** to the power supply and the power supply to the mains electricity (the power cord is purchased separately, see [Section 3.2](#)).

## 4.4 Securing Wireless Charging Receivers

Use the security springs to secure the wireless charging receivers to the **KWC-1**.

### To secure the wireless charging receivers:

1. Thread the security spring loop through the eyehole on the wireless charging receiver.



Figure 2: Threading the Loop through the Receiver Eyehole

2. Pull the loop on the other side of the spring through the threaded loop.



Figure 3: Connecting to the Wireless Charging Receiver

3. Place the free loop through the table opening and then insert the **KWC-1**, to secure it to the table (see [Section 4.2](#)).



You can attach one or more wireless receivers in the same way.

Using the security spring, you can also attach wireless receivers to a screw underneath the table.

## 5 Using the KWC-1

[Figure 4](#) shows the **KWC-1** installed in a table.

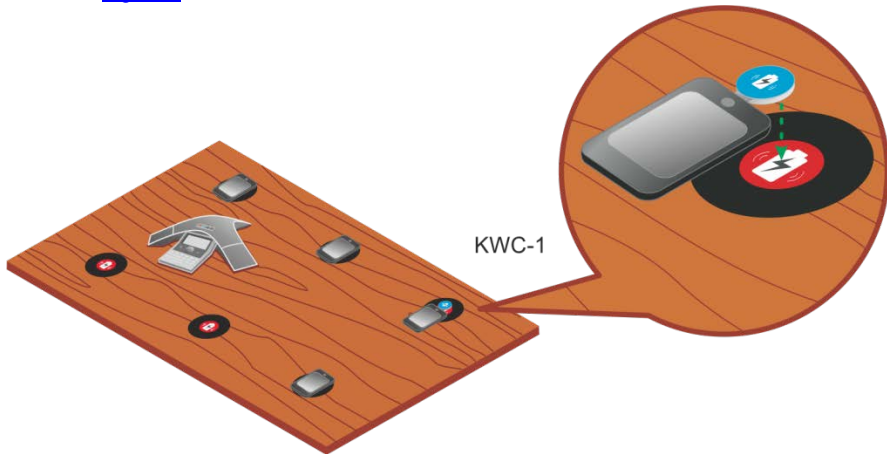


Figure 4: KWC-1 Boardroom Installation

### 5.1 Using the KWC-1 Wireless Charging Spot

#### To use the Wireless Charging Spot:

1. Make sure that the charging spot power cable is connected.
2. If your mobile device supports wireless charging, place it on the charging spot until it is fully charged.



If your mobile device does not support wireless charging, you can connect it to either the **KWC-MUSB** Micro USB receiver or the **KWC-LTN** lightning receiver (see [Section 5.2](#)), supplied with the package.

Additional receivers can be purchased separately.

Note that you can only charge one mobile device at a time.

## 5.2 Using the Receivers

The Kramer **KWC-MUSB** and **KWC-LTN** wireless charging receivers (one of each is supplied with the **KWC-1**) can be used with Kramer Wireless Charging (KWC) products.



These receivers are used for mobile devices that **DO NOT** have a built-in wireless charging receiver.

Mobile devices with a built-in wireless receiver, compliant with the Qi standard, can be placed directly on the charging spot.

The **KWC-MUSB** Micro USB receiver (see [Figure 5](#)) and **KWC-LTN** lightning receiver (see [Figure 6](#)) are wireless power receivers that utilize electromagnetic induction to charge mobile devices wirelessly and are compatible with the Qi standard for wireless chargers (with security eyeholes).



Figure 5: KWC-MUSB Micro USB Receiver



Figure 6: KWC-LTN Lightning Receiver



Figure 7: Receiver Underside



Additional receivers can be purchased separately.

## 5.2.1 Using the Wireless Charging Spot with the Receivers

### To use the Kramer receivers:

1. Connect your mobile device to either the **KWC-MUSB** Micro USB receiver or the **KWC-LTN** lightning receiver, as required.
2. Place the mobile device with the attached receiver centered on the charging spot (correct side facing the charging spot, see [Figure 7](#)) until it's fully charged.



You can only charge one mobile device via the charging spot at a time.

When charging a mobile device, do not place any metal or magnetic objects over the receiver.

Charging a mobile device using the receiver in the vicinity of pacemakers, hearing aids, or similar medical electronic devices may interfere with the function of these devices.

Make sure the receivers are used in a cool and well-ventilated environment and away from flammable and explosive objects.

Avoid using the receivers in extreme temperatures or high humidity.

## 6 Technical Specifications of the KWC-1

FUSE RATING:	T 6.3A 250V
POWER CONSUMPTION:	Charging spot: 5V DC, 1A
CHARGING EFFICIENCY:	70%
CHARGING POWER OUTPUT:	700 mA Max
SAFETY REGULATORY COMPLIANCE:	CE, FCC
STANDARD:	Qi
OPERATING TEMPERATURE RANGE:	+5 to +45 Deg. Centigrade
OPERATING HUMIDITY RANGE:	10 to 90% RHL, non-condensing
STORAGE TEMPERATURE RANGE:	-20 to +70D Deg. Centigrade
STORAGE HUMIDITY RANGE:	5 to 95% RHL, non-condensing
DIMENSIONS:	Bezel diameter: 12cm (4.7") Shipping dimensions: 23.0cm x 13.5cm x 9.8cm (9.05" x 5.3" x 3.86") W, D, H
WEIGHT:	Gross weight: 0.75kg (1.65lbs) approx.
ACCESSORIES:	1 KWC-MUSB, 1 KWC-LTN (see separate specifications in <a href="#">Section 6.1</a> ), 2 security springs, power supply, power supply bracket
OPTIONS:	Power cords (see <a href="#">Section 3.2</a> ), KWC-MUSB, KWC-LTN
Specifications are subject to change without notice at <a href="http://www.kramerav.com">www.kramerav.com</a>	

### 6.1 Technical Specifications of the KWC-MUSB and KWC-LTN

PORT:	<b>KWC-MUSB:</b> micro USB receiver <b>KWC-LTN:</b> lightning receiver
LED INDICATORS:	ON (blue)
CHARGING EFFICIENCY:	70%
CHARGING POWER:	5V DC, 700 mA Max
STANDARD:	Qi
OPERATING TEMPERATURE:	0° to +40°C (32° to 104°F)
STORAGE TEMPERATURE:	-40° to +70°C (-40° to 158°F)
HUMIDITY:	10% to 90%, RHL non-condensing
DIMENSIONS:	3.7cm x 5cm x 0.85cm (17.2" x 7.2" x 1.7") W, D, H
WEIGHT:	Net: 0.012kg (0.03lb) Gross: 0.032kg (0.07lb)
COLORS:	<b>KWC-MUSB:</b> light blue <b>KWC-LTN:</b> light green
Specifications are subject to change without notice at <a href="http://www.kramerav.com">www.kramerav.com</a>	

The warranty obligations of Kramer Electronics Inc. ("Kramer Electronics") for this product are limited to the terms set forth below.

#### **What is Covered**

This limited warranty covers defects in materials and workmanship in this product.

#### **What is Not Covered**

This limited warranty does not cover any damage, deterioration or malfunction resulting from any alteration, modification, improper or unreasonable use or maintenance, misuse, abuse, accident, neglect, exposure to excess moisture, fire, improper packing and shipping (such claims must be presented to the carrier), lightning, power surges, or other acts of nature. This limited warranty does not cover any damage, deterioration or malfunction resulting from the installation or removal of this product from any installation, any unauthorized tampering with this product, any repairs attempted by anyone unauthorized by Kramer Electronics to make such repairs, or any other cause which does not relate directly to a defect in materials and/or workmanship of this product. This limited warranty does not cover cartons, equipment enclosures, cables or accessories used in conjunction with this product.

Without limiting any other exclusion herein, Kramer Electronics does not warrant that the product covered hereby, including, without limitation, the technology and/or integrated circuit(s) included in the product, will not become obsolete or that such items are or will remain compatible with any other product or technology with which the product may be used.

#### **How Long this Coverage Lasts**

The standard limited warranty for Kramer products is seven (7) years from the date of original purchase, with the following exceptions:

1. All Kramer VIA products are covered by a standard three (3) year warranty for VIA hardware and a standard one (1) year warranty for firmware and software updates. (An extended software warranty plan for an additional 2 years can be purchased separately).
2. All Kramer fiber optic cables and adapters, all Kramer speakers and Kramer touch panels are covered by a standard one (1) year warranty.
3. All Kramer Cobra products, all Kramer Calibre products, all Kramer Minicom digital signage products, all HighSecLabs products, all streaming, and all wireless products are covered by a standard three (3) year warranty.
4. All Sierra Video MultiViewers are covered by a standard five (5) year warranty.
5. Sierra switchers & control panels are covered by a standard seven (7) year warranty (excluding power supplies and fans that are covered for three (3) years).
6. K-Touch software is covered by a standard one (1) year warranty for software updates.
7. All Kramer passive cables are covered by a ten (10) year warranty.

#### **Who is Covered**

Only the original purchaser of this product is covered under this limited warranty. This limited warranty is not transferable to subsequent purchasers or owners of this product.

#### **What Kramer Electronics Will Do**

Kramer Electronics will, at its sole option, provide one of the following three remedies to whatever extent it shall deem necessary to satisfy a proper claim under this limited warranty:

1. Elect to repair or facilitate the repair of any defective parts within a reasonable period of time, free of any charge for the necessary parts and labor to complete the repair and restore this product to its proper operating condition. Kramer Electronics will also pay the shipping costs necessary to return this product once the repair is complete.
2. Replace this product with a direct replacement or with a similar product deemed by Kramer Electronics to perform substantially the same function as the original product.
3. Issue a refund of the original purchase price less depreciation to be determined based on the age of the product at the time remedy is sought under this limited warranty.

#### **What Kramer Electronics Will Not Do Under This Limited Warranty**

If this product is returned to Kramer Electronics or the authorized dealer from which it was purchased or any other party authorized to repair Kramer Electronics products, this product must be insured during shipment, with the insurance and shipping charges prepaid by you. If this product is returned uninsured, you assume all risks of loss or damage during shipment. Kramer Electronics will not be responsible for any costs related to the removal or re-installation of this product from or into any installation. Kramer Electronics will not be responsible for any costs related to any setting up this product, any adjustment of user controls or any programming required for a specific installation of this product.

#### **How to Obtain a Remedy Under This Limited Warranty**

To obtain a remedy under this limited warranty, you must contact either the authorized Kramer Electronics reseller from whom you purchased this product or the Kramer Electronics office nearest you. For a list of authorized Kramer Electronics resellers and/or Kramer Electronics authorized service providers, visit our web site at [www.kramerav.com](http://www.kramerav.com) or contact the Kramer Electronics office nearest you.

In order to pursue any remedy under this limited warranty, you must possess an original, dated receipt as proof of purchase from an authorized Kramer Electronics reseller. If this product is returned under this limited warranty, a return authorization number, obtained from Kramer Electronics, will be required (RMA number). You may also be directed to an authorized reseller or a person authorized by Kramer Electronics to repair the product.

If it is decided that this product should be returned directly to Kramer Electronics, this product should be properly packed, preferably in the original carton, for shipping. Cartons not bearing a return authorization number will be refused.

#### **Limitation of Liability**

THE MAXIMUM LIABILITY OF KRAMER ELECTRONICS UNDER THIS LIMITED WARRANTY SHALL NOT EXCEED THE ACTUAL PURCHASE PRICE PAID FOR THE PRODUCT. TO THE MAXIMUM EXTENT PERMITTED BY LAW, KRAMER ELECTRONICS IS NOT RESPONSIBLE FOR DIRECT, SPECIAL, INCIDENTAL OR CONSEQUENTIAL DAMAGES RESULTING FROM ANY BREACH OF WARRANTY OR CONDITION, OR UNDER ANY OTHER LEGAL THEORY. Some countries, districts or states do not allow the exclusion or limitation of relief, special, incidental, consequential or indirect damages, or the limitation of liability to specified amounts, so the above limitations or exclusions may not apply to you.

#### **Exclusive Remedy**

TO THE MAXIMUM EXTENT PERMITTED BY LAW, THIS LIMITED WARRANTY AND THE REMEDIES SET FORTH ABOVE ARE EXCLUSIVE AND IN LIEU OF ALL OTHER WARRANTIES, REMEDIES AND CONDITIONS, WHETHER ORAL OR WRITTEN, EXPRESS OR IMPLIED. TO THE MAXIMUM EXTENT PERMITTED BY LAW, KRAMER ELECTRONICS SPECIFICALLY DISCLAIMS ANY AND ALL IMPLIED WARRANTIES, INCLUDING, WITHOUT LIMITATION, WARRANTIES OF MERCHANTABILITY AND FITNESS FOR A PARTICULAR PURPOSE. IF KRAMER ELECTRONICS CANNOT LAWFULLY DISCLAIM OR EXCLUDE IMPLIED WARRANTIES UNDER APPLICABLE LAW, THEN ALL IMPLIED WARRANTIES COVERING THIS PRODUCT, INCLUDING WARRANTIES OF MERCHANTABILITY AND FITNESS FOR A PARTICULAR PURPOSE, SHALL APPLY TO THIS PRODUCT AS PROVIDED UNDER APPLICABLE LAW.

IF ANY PRODUCT TO WHICH THIS LIMITED WARRANTY APPLIES IS A "CONSUMER PRODUCT" UNDER THE MAGNUSON-MOSS WARRANTY ACT (15 U.S.C.A. §2301, ET SEQ.) OR OTHER APPLICABLE LAW, THE FOREGOING DISCLAIMER OF IMPLIED WARRANTIES SHALL NOT APPLY TO YOU, AND ALL IMPLIED WARRANTIES ON THIS PRODUCT, INCLUDING WARRANTIES OF MERCHANTABILITY AND FITNESS FOR THE PARTICULAR PURPOSE, SHALL APPLY AS PROVIDED UNDER APPLICABLE LAW.

#### **Other Conditions**

This limited warranty gives you specific legal rights, and you may have other rights which vary from country to country or state to state.

This limited warranty is void if (i) the label bearing the serial number of this product has been removed or defaced, (ii) the product is not distributed by Kramer Electronics or (iii) this product is not purchased from an authorized Kramer Electronics reseller. If you are unsure whether a reseller is an authorized Kramer Electronics reseller, visit our web site at [www.kramerav.com](http://www.kramerav.com) or contact a Kramer Electronics office from the list at the end of this document.

Your rights under this limited warranty are not diminished if you do not complete and return the product registration form or complete and submit the online product registration form. Kramer Electronics thanks you for purchasing a Kramer Electronics product. We hope it will give you years of satisfaction.



This page is intentionally left blank

# KRAMER



P/N: 2900-300504



Rev: 5



## SAFETY WARNING

Disconnect the unit from the power supply before opening and servicing

For the latest information on our products and a list of Kramer distributors, visit our Web site where updates to this user manual may be found.

We welcome your questions, comments, and feedback.

[www.KramerAV.com](http://www.KramerAV.com)  
[info@KramerAV.com](mailto:info@KramerAV.com)