

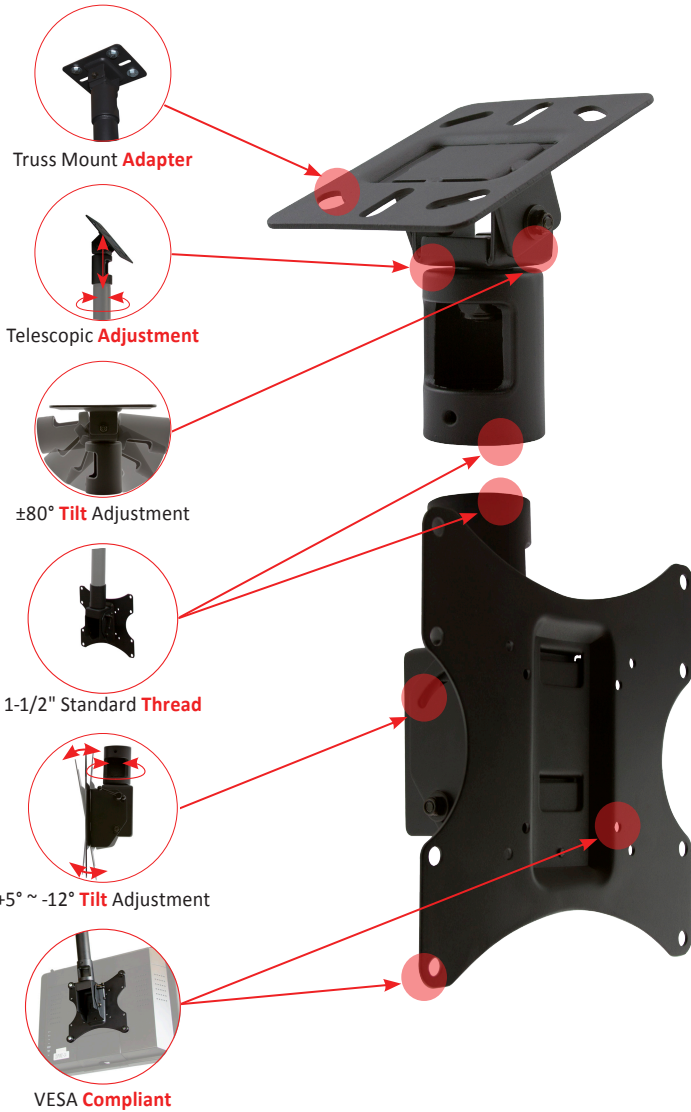
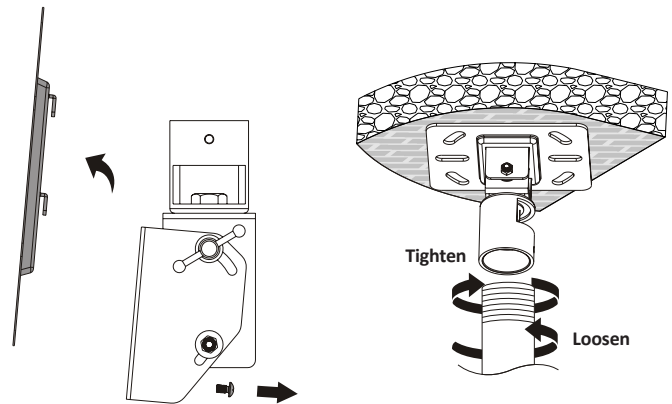
### VZ-CMKit-01 ADVANTAGES

- Mounting Head for 23" to 42" CCTV & Video Wall Monitors
- Load Capacity is 110 lbs / 50 kg
- 5° Tilt Up and 12° Tilt Down Adjustment along with 360° Pan Rotation For Achieving that Perfect Viewing Angle
- VESA Standard - 75x75, 100x100, 200x100 and 200x200
- Easy Cable Management
- Connects to Standard Pole sizes - 1-1/2"
- Pole Option : VZ-CM-P36 (35.5") and VZ-CM-P15 (8.7" ~ 14.55")

### Designed specifically for

VZ-23CMP	VZ-23CME
VZ-23 IP-PVM	VZ-23PVMZ
VZ-27 IP-PVM	VZ-27PVMZ
VZ-32 IP-PVM	VZ-32PVMZ
VZ-24/27/32 LX	

### FEATURES

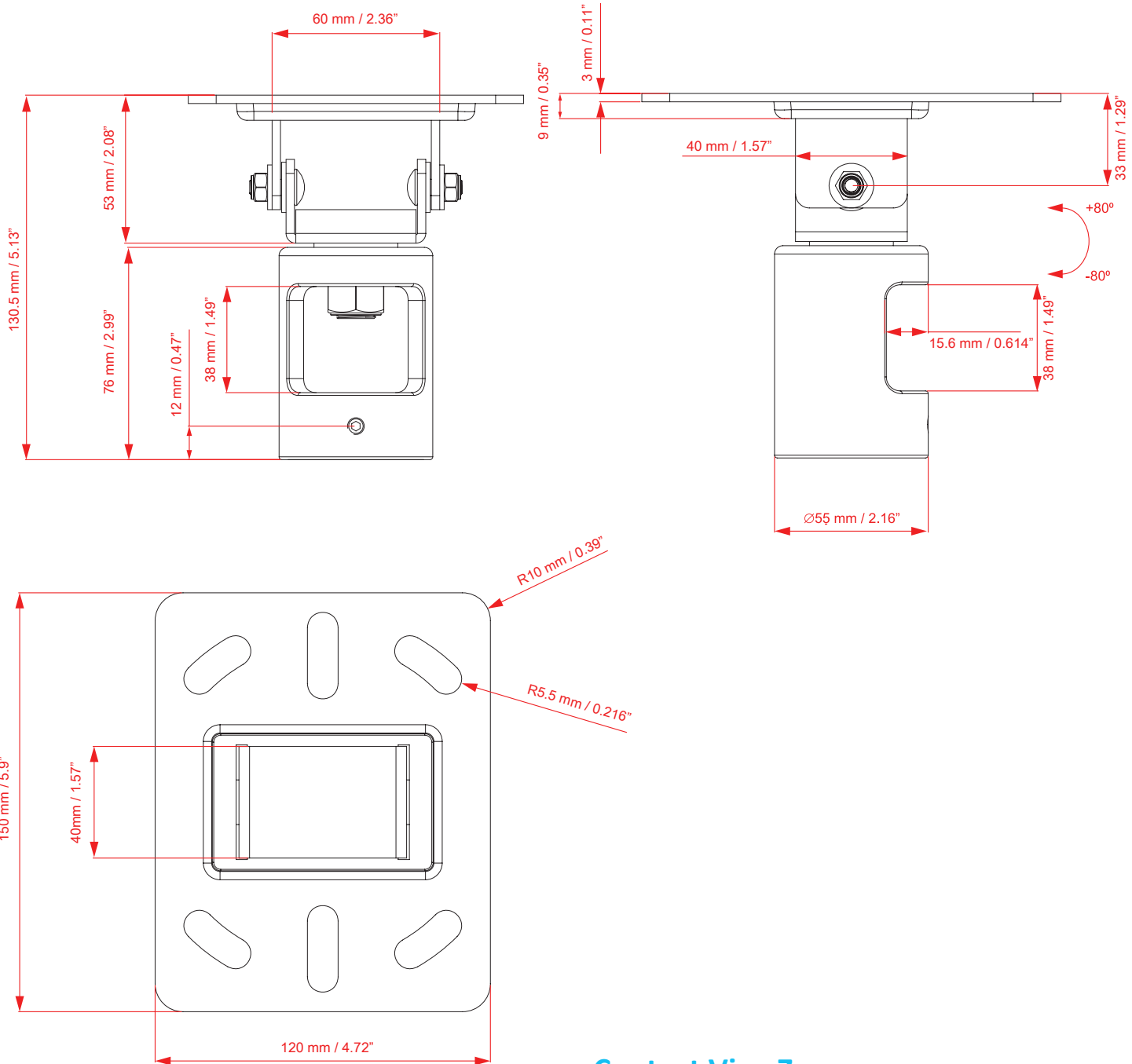


MODEL #	VZ-CMKit-01
<b>FEATURES</b>	
Net Weight	6.21 lbs / 2.82 kg
Weight Capacity	110 lbs / 50 kg
Display Range	23" ~ 42"
VZ-CM-V1 Plate Size (W x H x D)	904 x 440 x 103 mm / 35.59 x 17.32 x 4.05"
VZ-CM-V1 Pole (R x Length)	Ø 38.1 x 76mm / Ø 1.5 x 3"
VZ-CM-T Plate Size (W x H x D)	150 x 120 x 53mm / 5.9" x 4.72" x 2.08"
VZ-CM-T Pole (R x Length)	Ø 38.1 x 76mm / Ø 1.5 x 3"
PAN Rotation	360°
Tilt Capability (VZ-CM-V1 / VZ-CM-T)	+5° ~ -12° / ± 80°
Mounting Patterns Type	VESA
Mounting Patterns	75x75, 100x100, 200x100, 200x200

### Contact ViewZ

- Address : 177 W. Orangethorpe Ave., Placentia, CA 92870
- Phone : (714) 996-1177, Fax : (714) 996-1138
- Sales : sales@viewzusa.com
- Specification subject to change without notice.

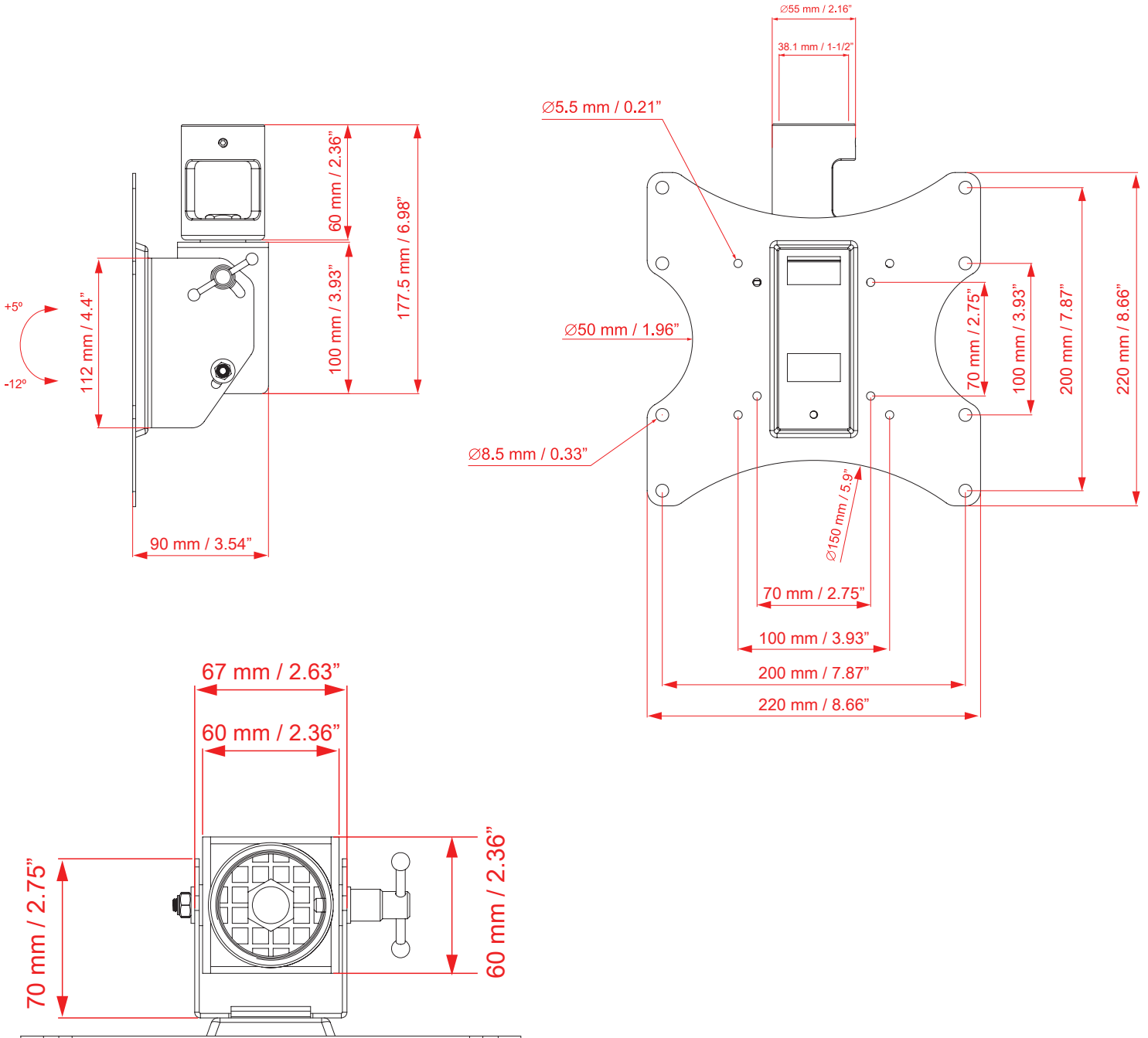
### DIMENSIONS



### Contact ViewZ

- Address : 177 W. Orangethorpe Ave., Placentia, CA 92870
- Phone : (714) 996-1177, Fax : (714) 996-1138
- Sales : sales@viewzusa.com
- Specification subject to change without notice.

## DIMENSIONS



## Contact ViewZ

- Address : 177 W. Orangethorpe Ave., Placentia, CA 92870
- Phone : (714) 996-1177, Fax : (714) 996-1138
- Sales : sales@viewzusa.com
- Specification subject to change without notice.