

VZ-CMKIT-04 ADVANTAGES

- Mounting Head for 37" to 70" CCTV & Video Wall Monitors
- Load Capacity is 110 lbs / 50 kg
- 5° Tilt Up and 12° Tilt Down Adjustment along with 360° Pan Rotation For Achieving that Perfect Viewing Angle
- ±5° Level Adjustment
- VESA Standard (200x200) & Universal Mounting Support
- Easy Cable Management & installation
- 2 units of VZ-CM-P36 poles can be connected by using VZ-CM-C Pole connector
Connecting more than 2 poles is not recommended.

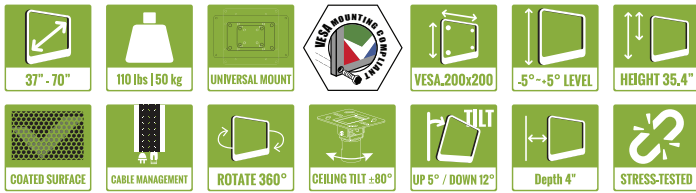
Designed specifically for

VZ-42 LX

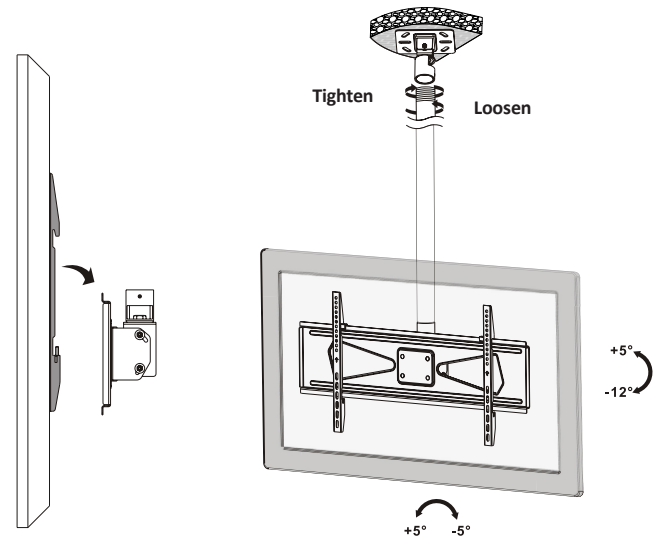
VZ-46/55 NB

VZ-46/49/55 UNB

FEATURES



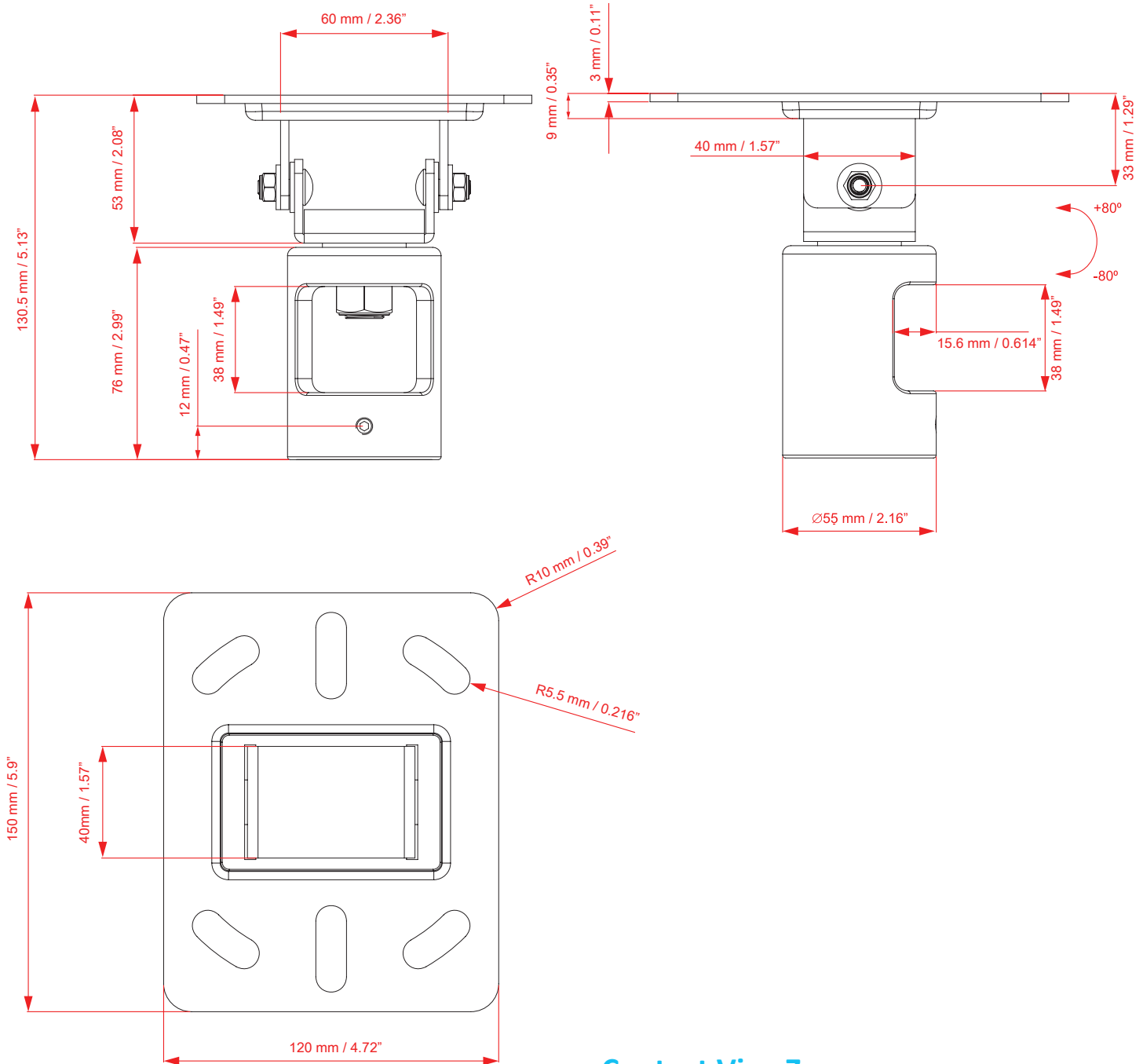
MODEL #	VZ-CMKIT-04
FEATURES	
Net Weight	17.98 lbs / 8.16 kg
Weight Capacity	110 lbs / 50 kg
Display Range	37" ~ 70"
VZ-CM-V3 Size (W x H x D)	904 x 440 x 103mm / 35.59 x 17.32 x 4.05"
VZ-CM-V3 Pole (R x Length)	Ø 38.1 x 76mm / Ø 1.5 x 3"
VZ-CM-T Plate Size (W x H x D)	150 x 120 x 53mm / 5.9" x 4.72" x 2.08"
VZ-CM-T Pole (R x Length)	Ø 38.1 x 76mm / Ø 1.5 x 3"
VZ-CM-P36 Pole (R x Length)	Ø 48 x 900mm / Ø 1.88 x 35.43"
VZ-CM-P36 Thread (R x Length)	Ø 38.1 mm / Ø 1-1/2"
PAN Rotation	360°
Tilt Capability (VZ-CM-V3 / VZ-CM-T)	+5° ~ -12° / ± 80°
Level Capability (VZ-CM-V3)	+5° ~ -5°
Mounting Patterns Type	Range
Mounting Patterns (Universal)	200 x 200 (Min) ~ 800 x 400 (Max) mm



Contact ViewZ

- Address : 177 W. Orangethorpe Ave., Placentia, CA 92870
- Phone : (714) 996-1177, Fax : (714) 996-1138
- Sales : sales@viewzusa.com
- Specification subject to change without notice.

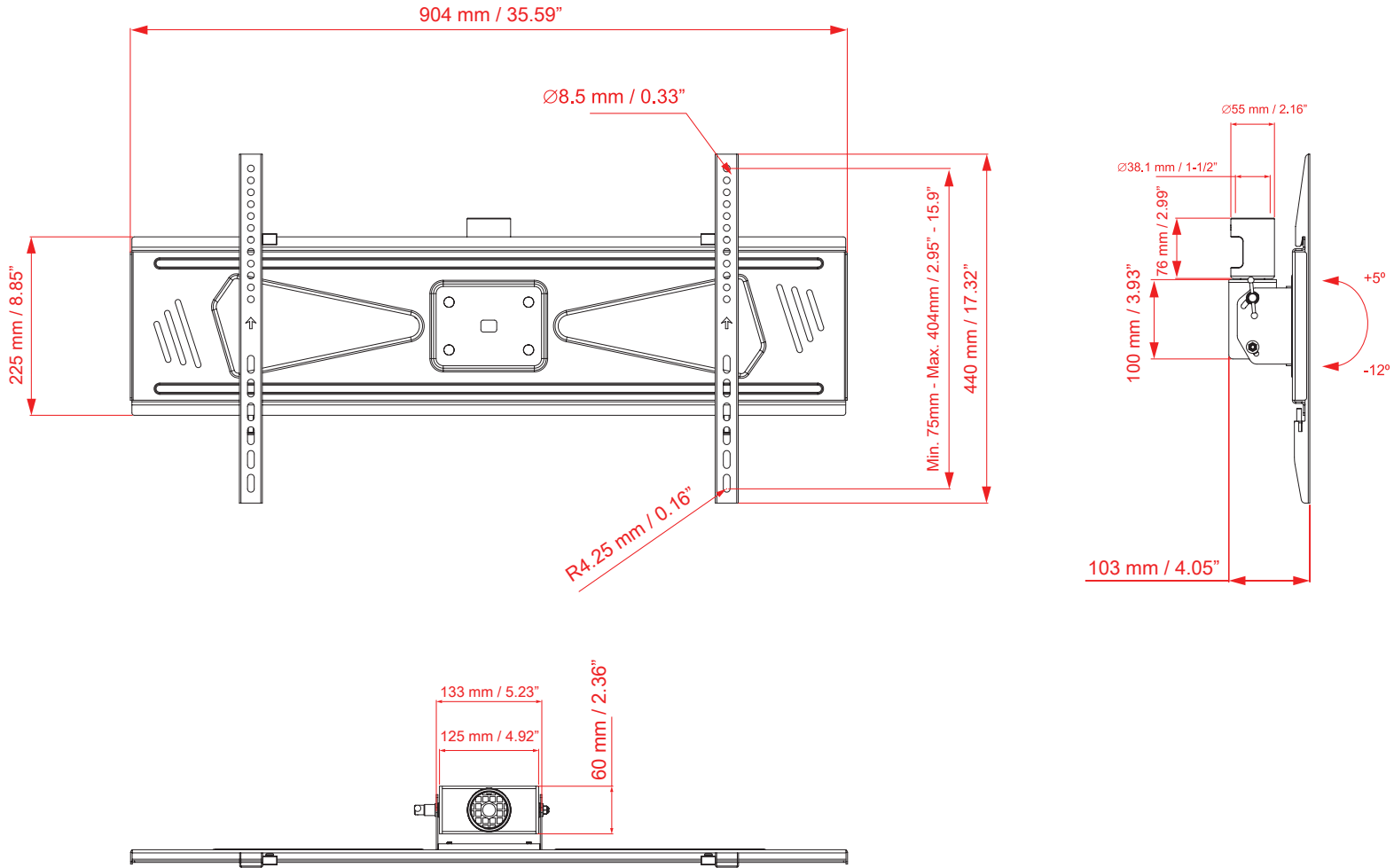
DIMENSIONS



Contact ViewZ

- Address : 177 W. Orangethorpe Ave., Placentia, CA 92870
- Phone : (714) 996-1177, Fax : (714) 996-1138
- Sales : sales@viewzusa.com
- Specification subject to change without notice.

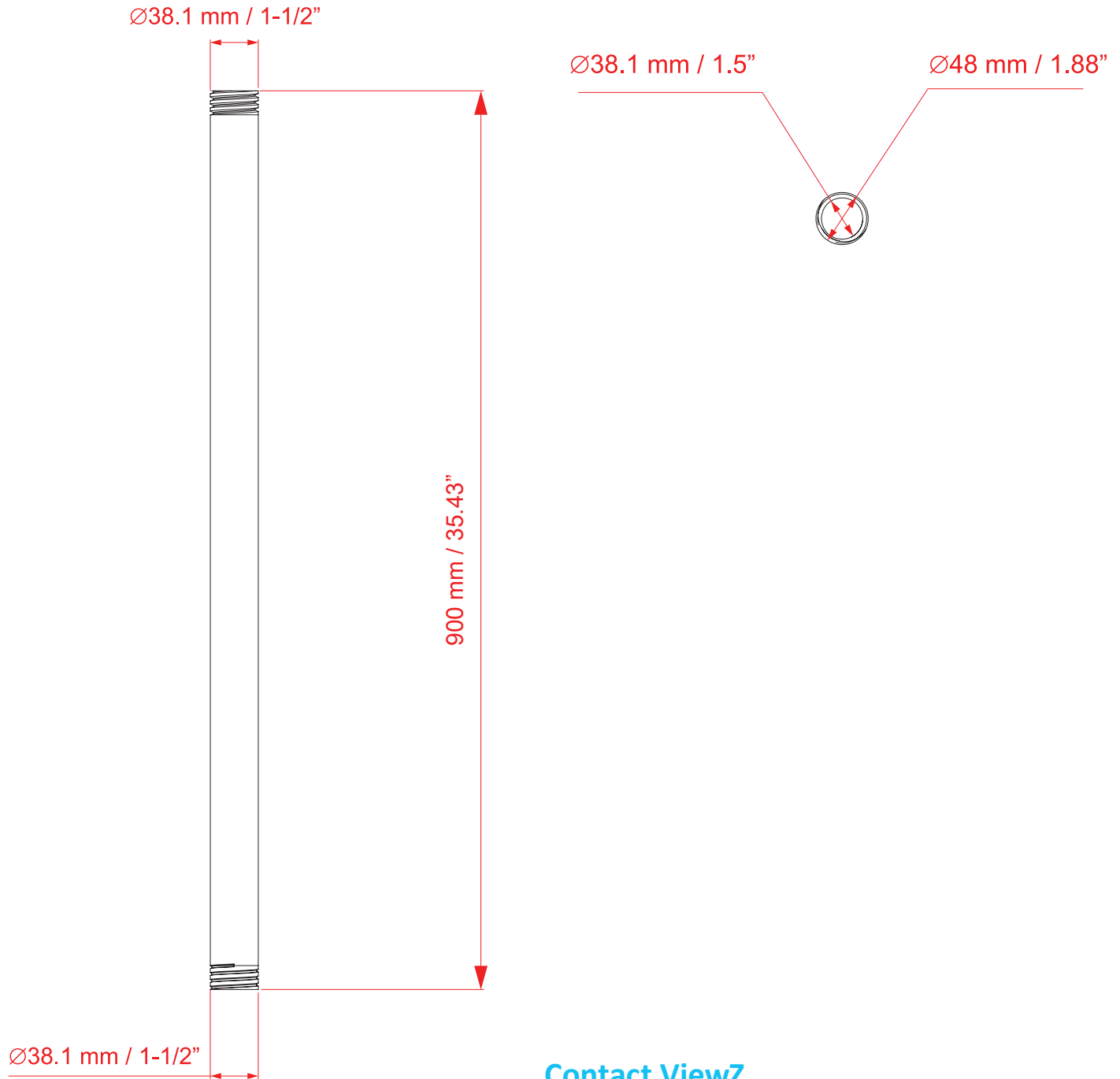
DIMENSIONS



Contact ViewZ

- Address : 177 W. Orangethorpe Ave., Placentia, CA 92870
- Phone : (714) 996-1177, Fax : (714) 996-1138
- Sales : sales@viewzusa.com
- Specification subject to change without notice.

DIMENSIONS



Contact ViewZ

- Address : 177 W. Orangethorpe Ave., Placentia, CA 92870
- Phone : (714) 996-1177, Fax : (714) 996-1138
- Sales : sales@viewzusa.com
- Specification subject to change without notice.