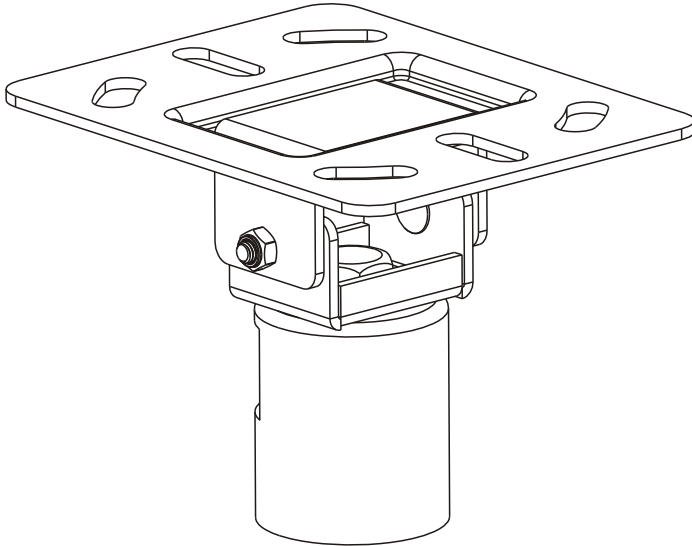


Raked Ceiling Mount Accessory

ISSUED: MAR. 2013



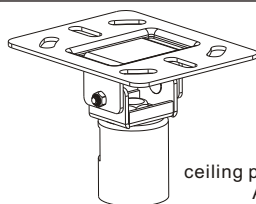
NOTE: Read the entire instruction manual before you start installation and assembly.

WARNING

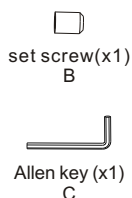
- Do not begin the installation until you have read and understood all the instructions and warnings contained in this installation sheet. If you have any questions regarding any of the instructions or warnings, please contact your local distributor.
- This mounting bracket was designed to be installed and utilised **ONLY** as specified in this manual. Improper installation of this product may cause damage or serious injury.
- This product should only be installed by someone with good mechanical ability who has basic building experience and fully understands this manual.
- This product is intended for indoor use only. Using this product outdoors could lead to product failure and personal injury.

Component Checklist

IMPORTANT: Ensure that you have received all parts according to the component checklist prior to installation. If any parts are missing or faulty, telephone your local distributor for a replacement.



ceiling plate (x1)
A



set screw(x1)
B

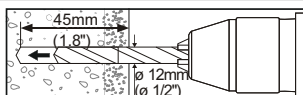
Allen key (x1)
C

Package W

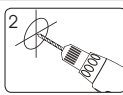


M8x70 iron expansion bolt (x6)
W-A

1. For Solid Brick and Concrete Mounting (fit flat roof or pitched roof)



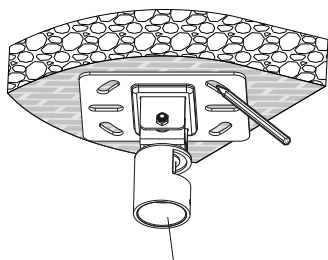
Mark the exact location of mounting holes



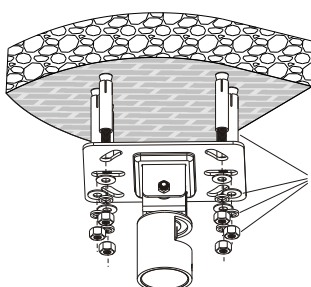
Drill six pilot holes



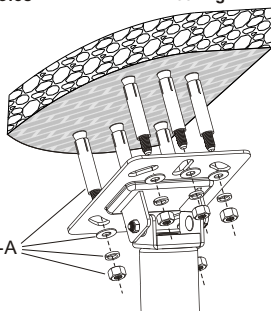
Screw ceiling plate on the ceiling



1-1/2" internal diameter



or

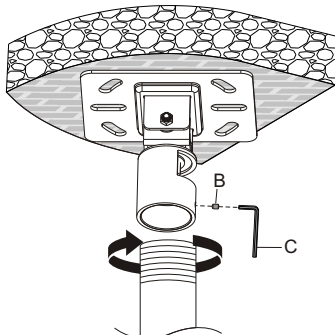


WARNING

Installers must verify that the supporting surface will safely support the combined weight of the equipment and all attached hardware and components.

2. Installing the Pole

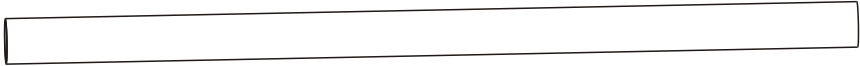
Thread and tighten the pole (not included) onto the ceiling plate.



Insert and tighten one set screw to secure it.

Extension Column Connector

ISSUED: MAR. 2013



NOTE: Read the entire instruction manual before you start installation and assembly.

WARNING

- Do not begin the installation until you have read and understood all the instructions and warnings contained in this installation sheet. If you have any questions regarding any of the instructions or warnings, please contact your local distributor.
- Improper installation of this product may cause damage or serious injury.

Component Checklist

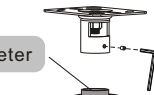
IMPORTANT: Ensure that you have received all parts according to the component checklist prior to installation. If any parts are missing or faulty, telephone your local distributor for a replacement.



pole (x1)
A

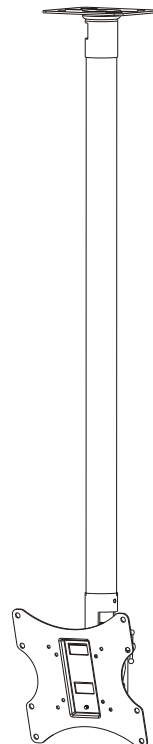
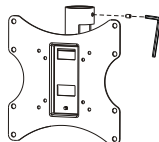
Installing the Pole

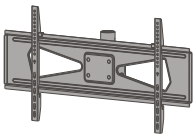
1-1/2" internal diameter



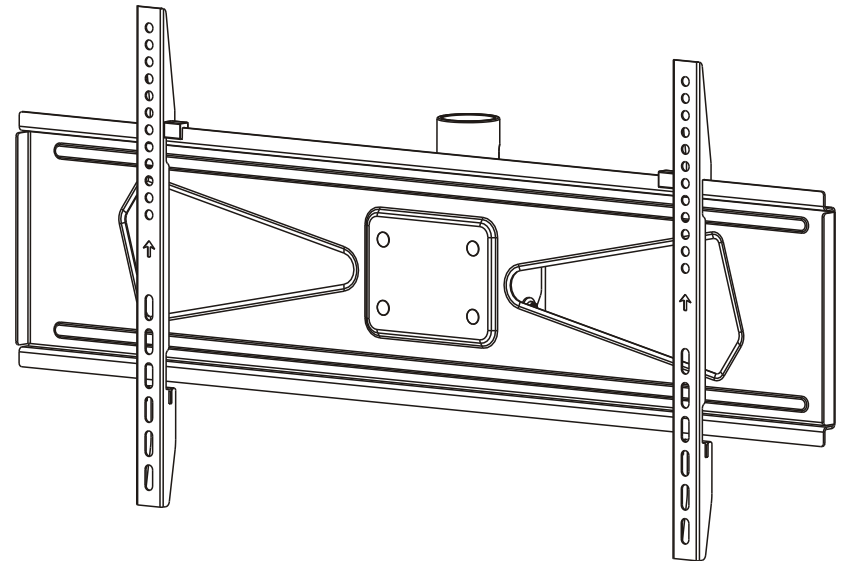
tighten

tighten





Flat Panel Ceiling Mount Accessory



200x200/300x300
400x200/400x400
600x400/800x400



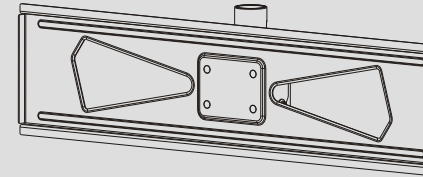
NOTE: Read the entire instruction manual before you start installation and assembly.

WARNING

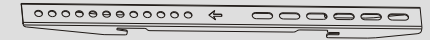
- Do not begin the installation until you have read and understood all the instructions and warnings contained in this installation sheet. If you have any questions regarding any of the instructions or warnings, please contact your local distributor.
- This mounting bracket was designed to be installed and utilised **ONLY** as specified in this manual. Improper installation of this product may cause damage or serious injury.
- Always use an assistant or mechanical lifting equipment to safely lift and position the equipment.
- Tighten screws firmly, but do not over tighten. Over tightening can cause damage to the items, This greatly reduces their holding power.
- This product is intended for indoor use only. Using this product outdoors could lead to product failure and personal injury.

Component Checklist

IMPORTANT: Ensure that you have received all parts according to the component checklist prior to installation. If any parts are missing or faulty, telephone your local distributor for a replacement.



universal plate (x1)
A



adapter bracket (x2)
B



antiskid block (x2)
C



set screw (x1)
D

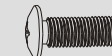


Allen key (x1)
E

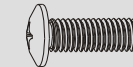
Package M



M5x14 (x4)
M-A



M6x14 (x4)
M-B



M8x20 (x4)
M-C



M6x30 (x4)
M-D



M8x30 (x4)
M-E



washer (x4)
M-F

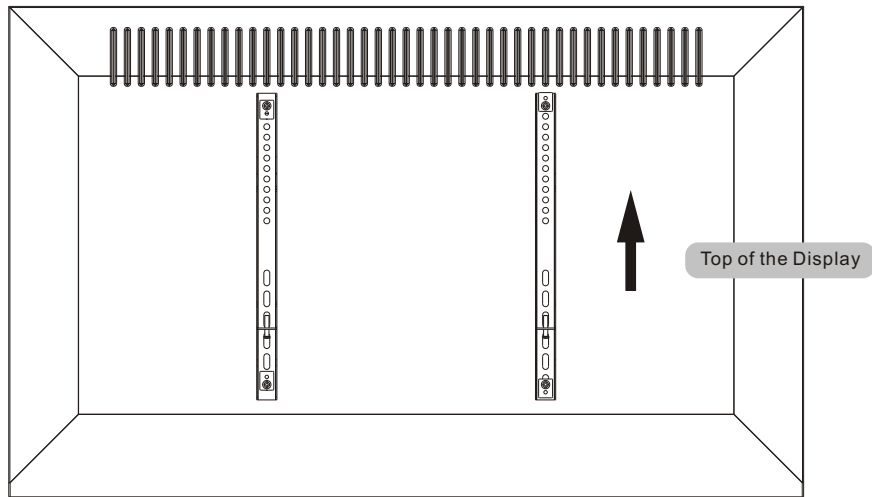


small spacer (x8)
M-G

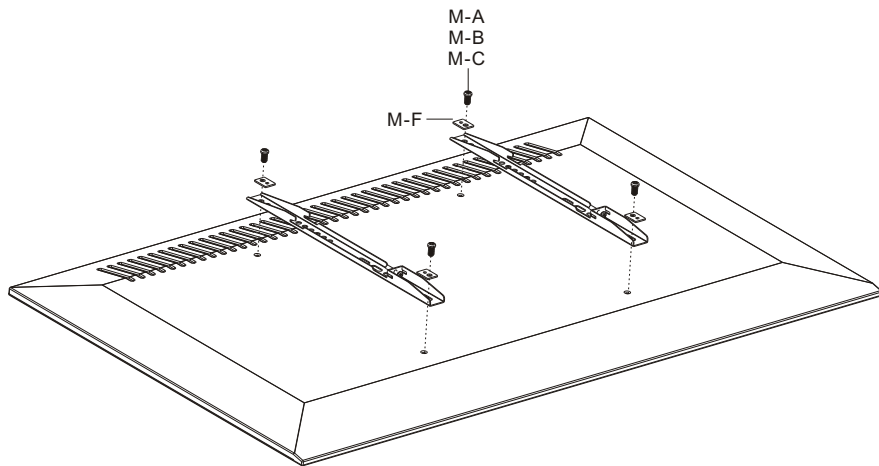
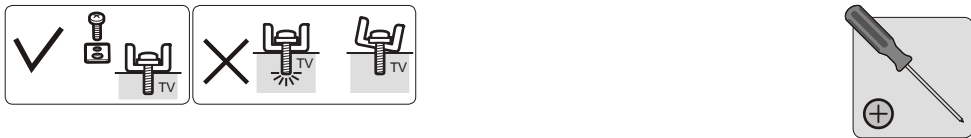


big spacer (x4)
M-H

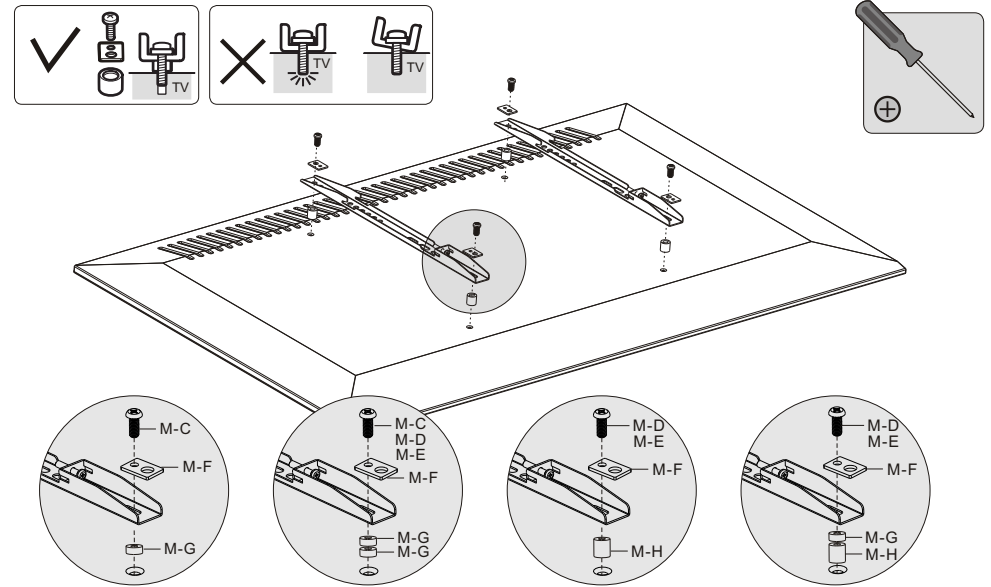
1. Installing the Adapter Brackets



1-1 For Flat Back Screens



1-2 For Recessed Back Screens or to Access A/V Inputs



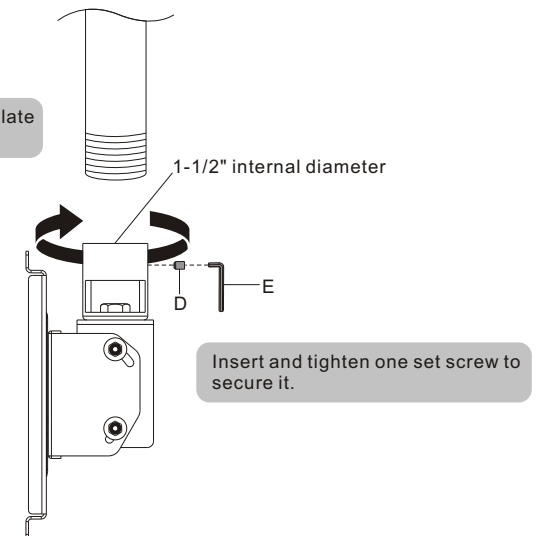
Note: Choose the appropriate screws, washers and spacers (if necessary) according to the type of screen.

- Position the adapter brackets as close as possible to the center of the display.
- Screw the adapter brackets onto the display.

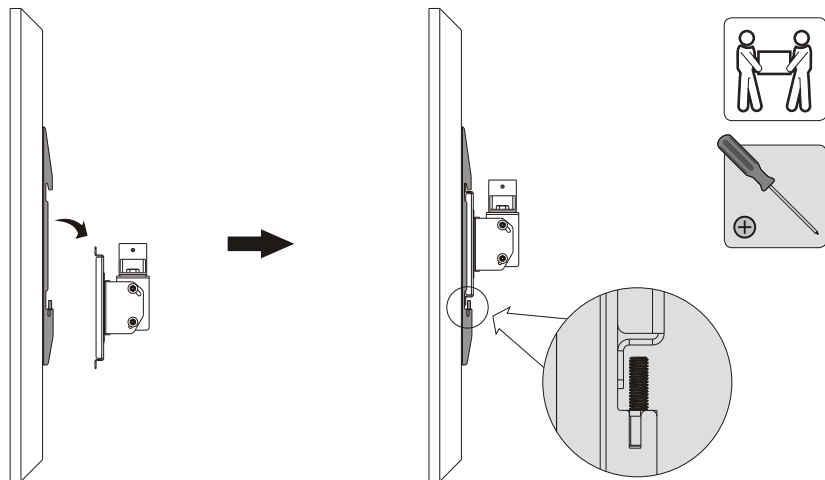
⚠ Tightlyen all screws but do not over tighten.

2. Attaching the Universal Plate to the Pipe

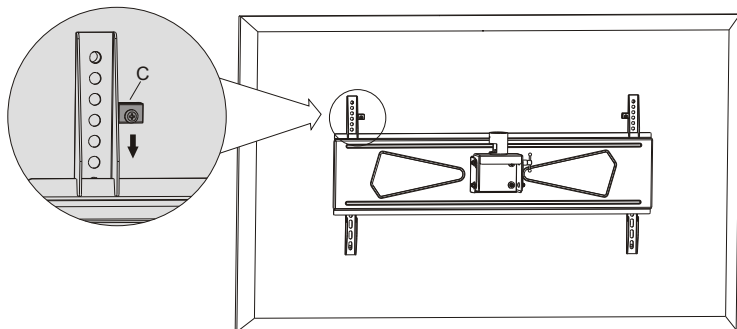
Thread and tighten the universal plate onto the pipe (not included).



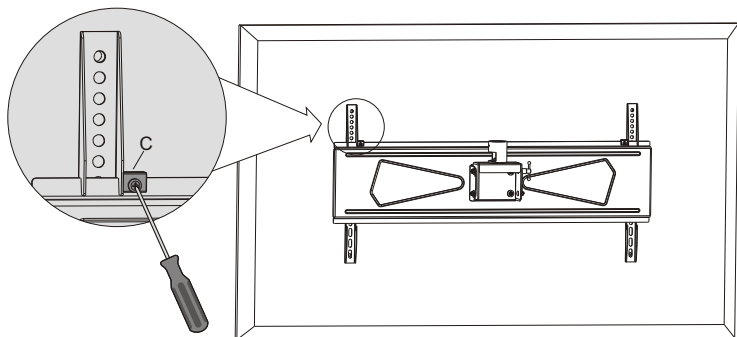
3. Hooking the Display onto the Wall Mount



Tighten the bottom bolts to secure the adapter brackets to the universal plate.

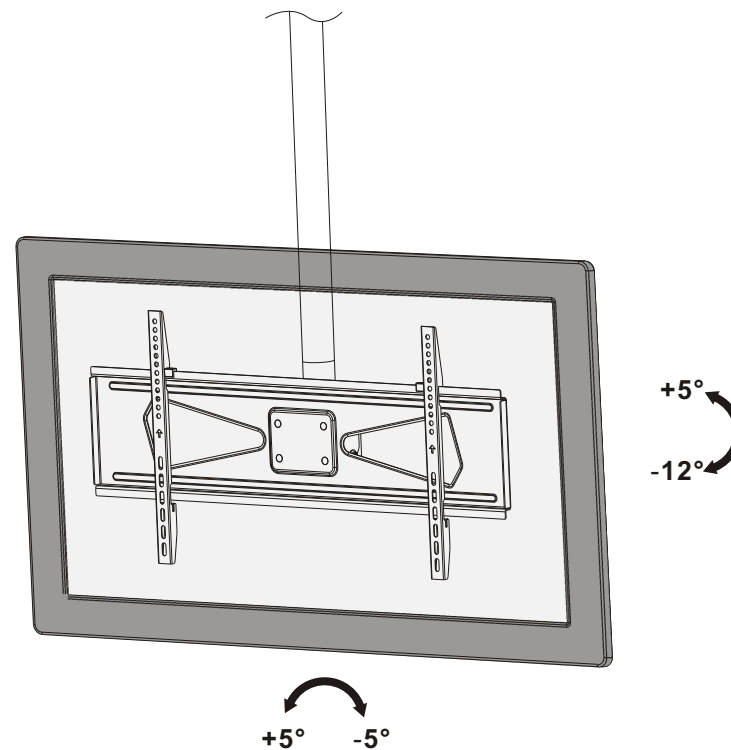


Install both antiskid blocks as close to the adapter brackets as possible.



Tighten all screws on the antiskid blocks using a proper screwdriver to prevent the display from moving.

4. Adjustment



Adjust the display to the desired angle.

Maintenance

- Check that the bracket is secure and safe to use at regular intervals(at least every three months).
- Please contact your distributor if you have any questions.