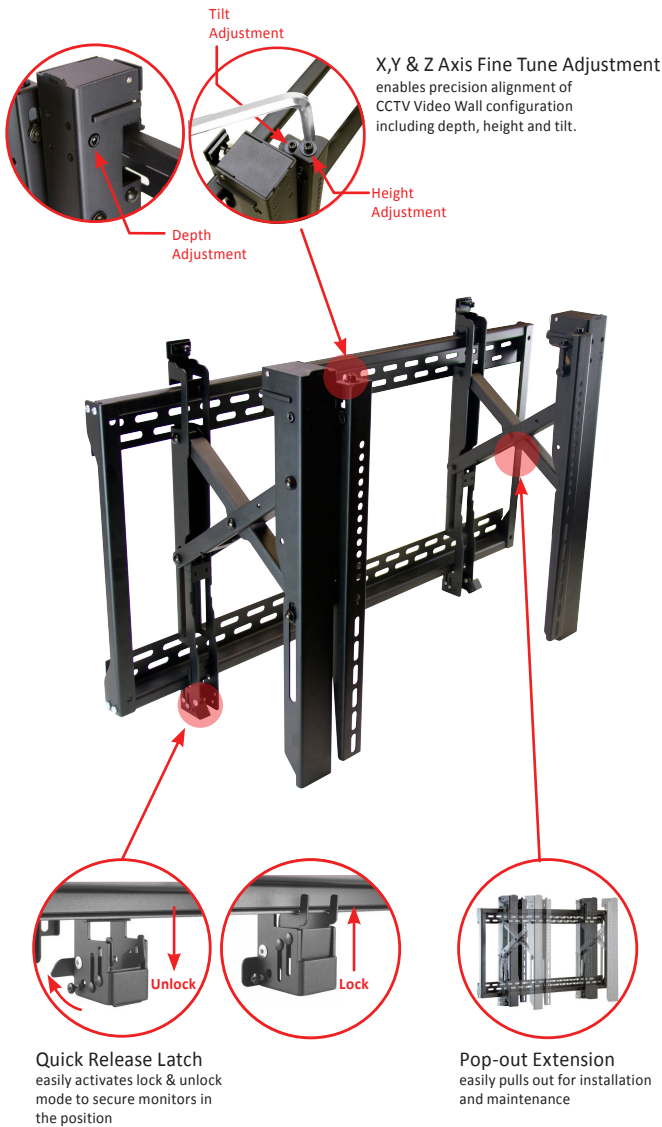


## SPRING LOADED SCISSOR VIDEO WALL MOUNT



### VZ-XMS ADVANTAGES

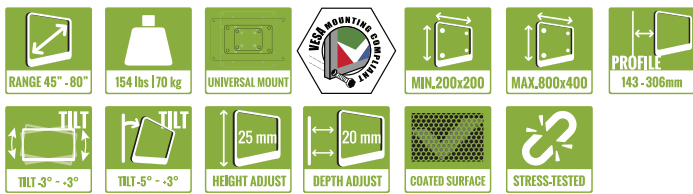
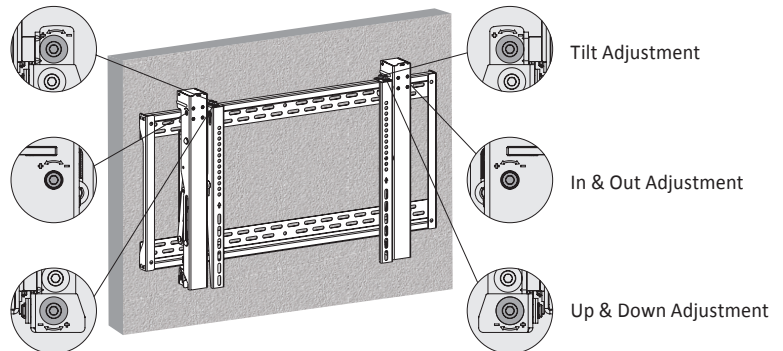
The ViewZ **XMS** mount is a customizable CCTV video wall extending flat-panel mount for displays weighing up to 154 lb. 70 kg with a mounting pattern of 200 x 200 to 800 x 400 mm. It features multi-monitor stacking, **open design, custom spacers**, top **adjustable mounting brackets** and **straight scissor-style extension**.

- Pop-out Landscape CCTV Video Wall Mount
- Pop-out extension easily pulls out for installation and maintenance
- Spring loaded and X, Y and Z axis fine tune adjustment system for easy and accurate installation
- Quick-release latch easily activates lock & unlock mode to secure displays in place firmly
- Anti-theft design offers an additional insurance against theft (a padlock required)
- Scissor design and compact mounting arms allow for extension in one smooth motion
- “Click-it” locking feature confirms display is secure through an audible noise

### Designed specifically for



### Features

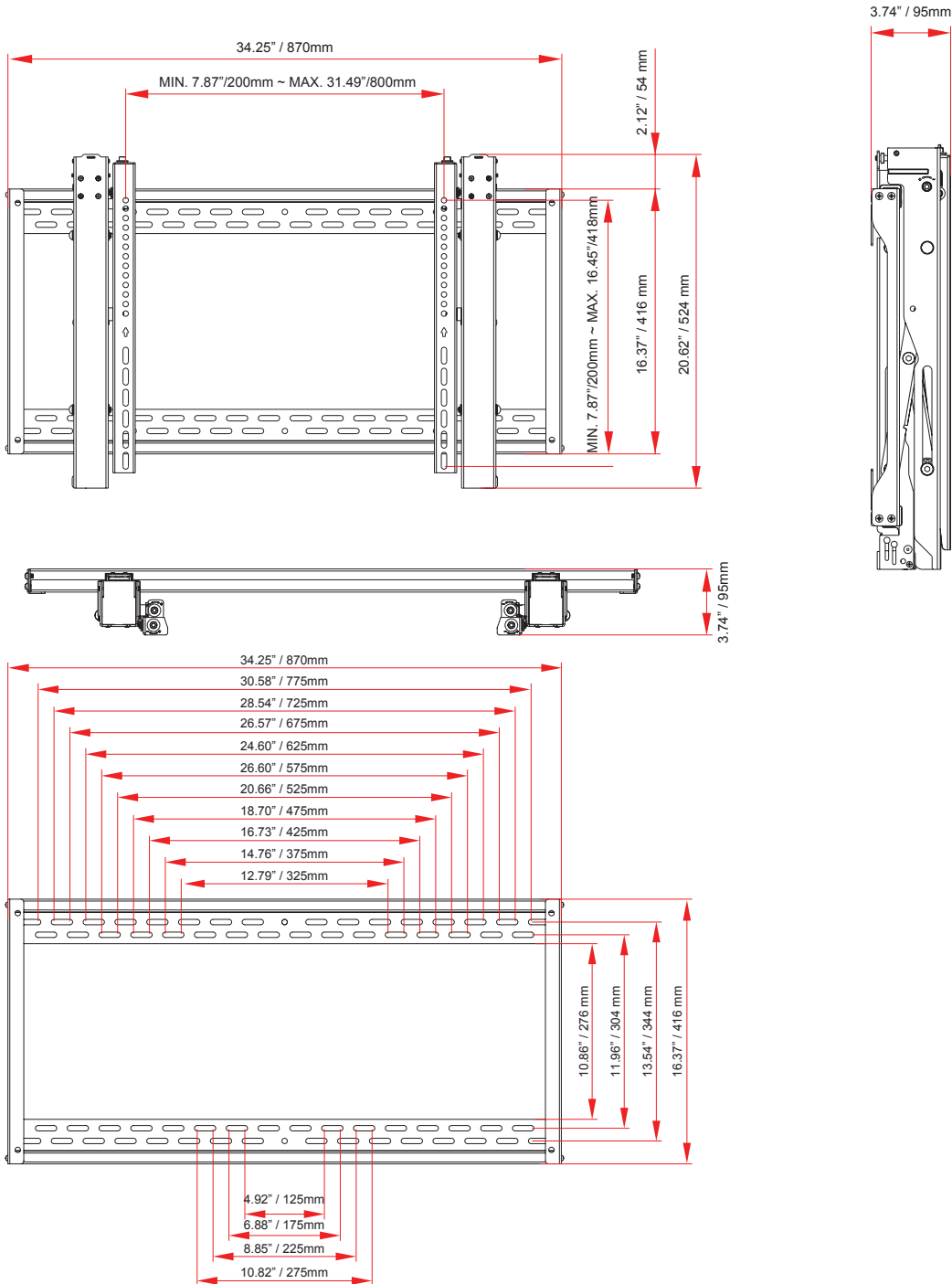


MODEL #	VZ-XMS
Net / Gross Weight	25 lbs ( 11.3 Kg ) / 27.1 lbs ( 12.29 Kg )
Weight Capacity per Head	154 lbs / 70 Kg
Dimensions ( Width x Height x Depth ) inch	44.64 x 19.01 x 3.74 ~ 11.22
( Width x Height x Depth ) mm	1134 x 519 x 95 ~ 285
DIM ( Width x Height x Depth ) inch	34.25 x 16.33 x 1.29
( Width x Height x Depth ) mm	870 x 415 x 33
Mounting Patterns Type	Range
Mounting Patterns	200 x 200 (Min) ~ 800 x 400 (Max) mm
Display Range	45.0° ~ 80.0°
Tilt	- 2° ~ +4° (Ver) / ± 3° (Hor)
Height Adjustment	25 mm
Depth Adjustment	20 mm

### Contact ViewZ

- Address : 177 W. Orangethorpe Ave., Placentia, CA 92870
- Phone : (714) 996-1177, Fax : (714) 996-1138
- Sales : sales@viewzusa.com
- Specification subject to change without notice.

## SPRING LOADED SCISSOR VIDEO WALL MOUNT



### Contact ViewZ

- Address : 177 W. Orangethorpe Ave., Placentia, CA 92870
- Phone : (714) 996-1177, Fax : (714) 996-1138
- Sales : sales@viewzusa.com
- Specification subject to change without notice.

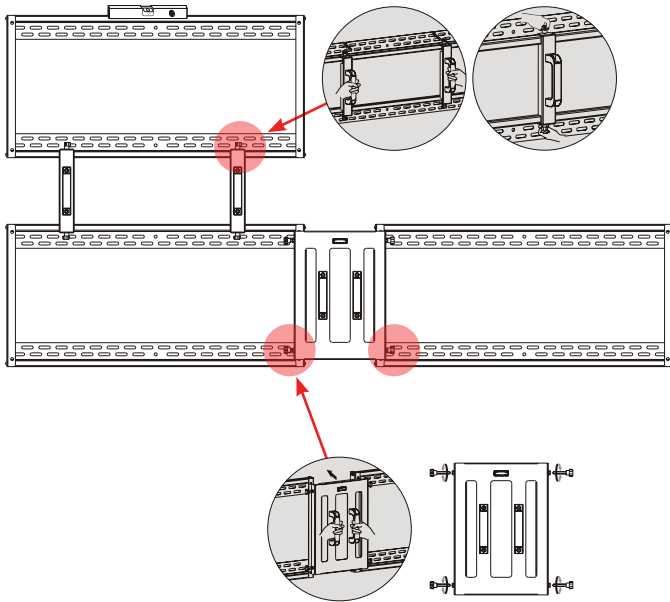
### VZ-XMS-SP49 ADVANTAGES

The ViewZ **XMS-SP49** mount spacer is built for VZ-XMS series, when make up of ViewZ 49" video wall monitor. VZ-XMS-SP49 use lock-screws to make up the perfect videowall spacing.

- Working with ViewZ XMS mount
- Using lock screws to make up the perfect spacing between mounts



Vertical Alignment Spacer Adjustment

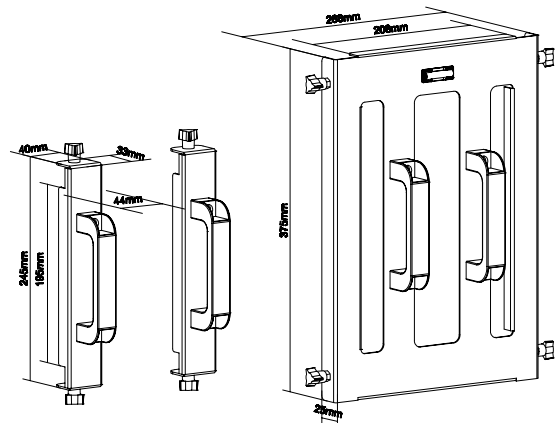


Horizontal Alignment Spacer Adjustment

### Designed specifically for

VZ-XMS

### Dimensions



### Contact ViewZ

- Address : 177 W. Orangethorpe Ave., Placentia, CA 92870
- Phone : (714) 996-1177, Fax : (714) 996-1138
- Sales : sales@viewzusa.com
- Specification subject to change without notice.

MODEL #	VZ-XMS-SP49
Net Weight / Gross Weight	4.93 lbs ( 2.24 Kg ) / 5.86 lbs ( 2.66 Kg )
Hor. Spacer Holder Dimensions ( W x H x D )	10.55 x 14.76 x 0.98" / 268 x 375 x 25 mm
Ver. Spacer Holder Dimensions ( W x H x D )	1.73 x 9.64 x 1.29" / 44 x 245 x 33 mm

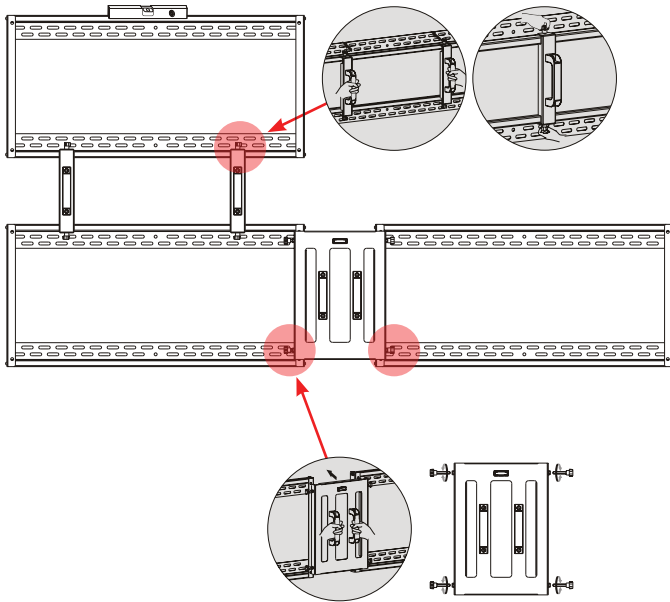
### VZ-XMS-SP55 ADVANTAGES

The ViewZ **XMS-SP55** mount spacer is built for VZ-XMS series, when make up of ViewZ 55" video wall monitor. VZ-XMS-SP49 use lock-screws to make up the perfect videowall spacing.

- Working with ViewZ XMS mount
- Using lock screws to make up the perfect spacing between mounts



Vertical Alignment Spacer Adjustment

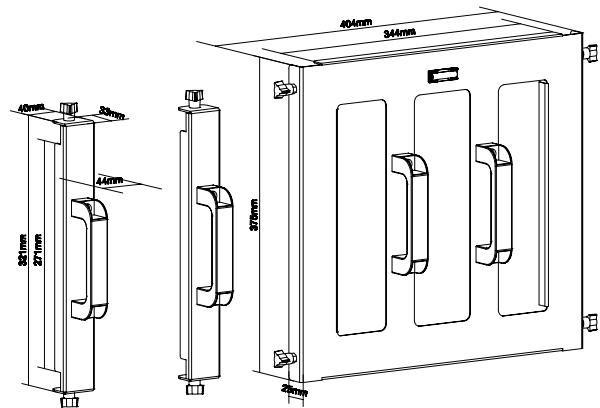


Horizontal Alignment Spacer Adjustment

### Designed specifically for

VZ-XMS

### Dimensions



### Contact ViewZ

- Address : 177 W. Orangethorpe Ave., Placentia, CA 92870
- Phone : (714) 996-1177, Fax : (714) 996-1138
- Sales : sales@viewzusa.com
- Specification subject to change without notice.

MODEL #	VZ-XMS-SP55
Net Weight / Gross Weight	6.08 lbs ( 2.76 Kg ) / 7.23 lbs ( 3.28 Kg )
Hor. Spacer Holder Dimensions ( W x H x D )	15.90 x 14.76 x 0.98" / 404 x 375 x 25 mm
Ver. Spacer Holder Dimensions ( W x H x D )	1.73 x 12.63 x 1.29" / 44 x 321 x 33 mm