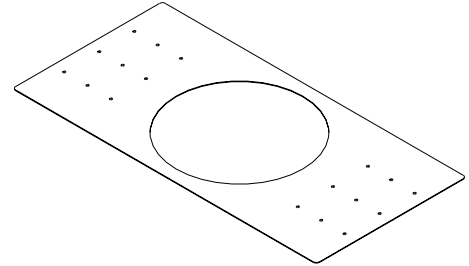




RR series mounting plates aid in the installation of the EVID ceiling speakers in sheetrock or plaster ceiling installations. For most installations, no additional hardware is needed. EV recommends installation of the optional RR series rough-in accessories before the ceiling material is installed. The rough-in accessories provide a cutout guide when many holes are to be made in a production-line style installation and to ensure the speakers are positioned correctly as the holes are cut in the sheetrock.

RR Series Mounting Plates

RR series plates are made of flat sheet metal with holes to attach to the joists or trusses of a building structure. The holes are drilled for nails or screws at 16 inches (406 mm), 20 inches (508 mm) and 24 inches (610 mm) on-center. The installer can drill other holes as needed up to a maximum of 24-3/4 inches (630 mm) apart. The sheetrock installs over the plate, and the plate provides a template for a blind cutout of the hole in the sheet rock. The ceiling material is generally cut with a router-type cutting tool, using the plate ring as a cutout guide.



Available Rough-In Accessories

Order Information	Description
RR-42-B	Rough-in mounting plate for new construction for use with the EVID C4.2 (4 pcs)
RR-82-B	Rough-in mounting plate for new construction for use with the EVID C8.2 & C8.2LP (4 pcs)
RR-810-B	Rough-in mounting plate for new construction for use with the EVID C8.2HC & C10.1 (4 pcs)
RR-PC62-B	Rough-in mounting plate for new construction for use with the EVID PC6.2 (4 pcs)
RR-PC82-B	Rough-in mounting plate for new construction for use with the EVID PC8.2 (4 pcs)

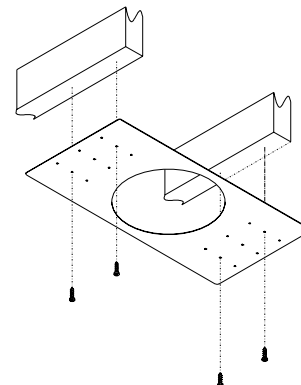
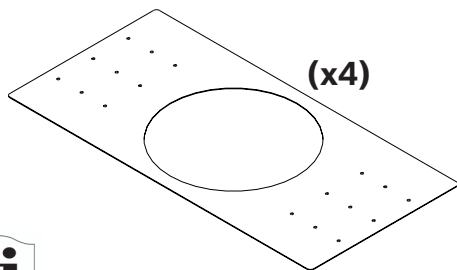
Packing List

Quantity	Description
4	Mounting plate
1	Installation instructions

Installation

To install the RR mount plates to joists, do the following:

1. Select a suitable location for the mounting plate.
2. Screw the mounting plate to joist or rafter as shown, using the appropriate mounting holes provided.



Germany:

Bosch Sicherheitssysteme GmbH
Robert-Bosch-Ring 5
85630 Grasbrunn
Germany

Bosch Security Systems, Inc.
12000 Portland Avenue South
Burnsville MN 55337
USA