

# CRESCENT - MI-8 12G

## COST EFFECTIVE 8X1 UHD (12G SDI) MULTIVIEWER

### Key Features

- Accepts 8 12G SDI (2SI) inputs or 4 12G SDI (Square Division)
- Windows can be sized and moved freely
- Decode up to 16 embedded audio per input
- Total of 128 audio meters
- 2 simultaneous and identical HDMI and SDI outputs
- Ethernet for configuration and external control
- Dynamic UMD/labels & Tallies (TSL)
- Stand alone labels, customizable logos
- 32 GPIs for tallies, counter controls or preset recalls
- 2 digital and 2 analog clocks/counters can be sync'd with LTC or NTP
- Borders with adjustable width/color
- Two sets of Safe area markers per window
- Visual Alarm tags for video/audio alarm detection
- Audio monitoring output pairs - AES, Embedded SDI and HDMI outputs
- 3 year limited warranty



### Standard Accessories

- Rack mount
- 4 x RJ50 to DB9 for GPI
- 4 x breakout terminal blocks
- RJ45 to DB9 for serial
- CD (software, manual)

### Options

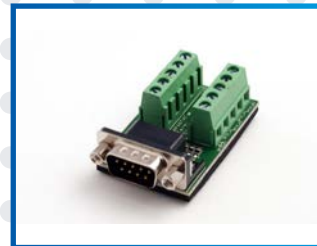
- Redundant power supply
- 1 ft HD-BNC -BNC Female cables
- ATC/VITC Display Licnese



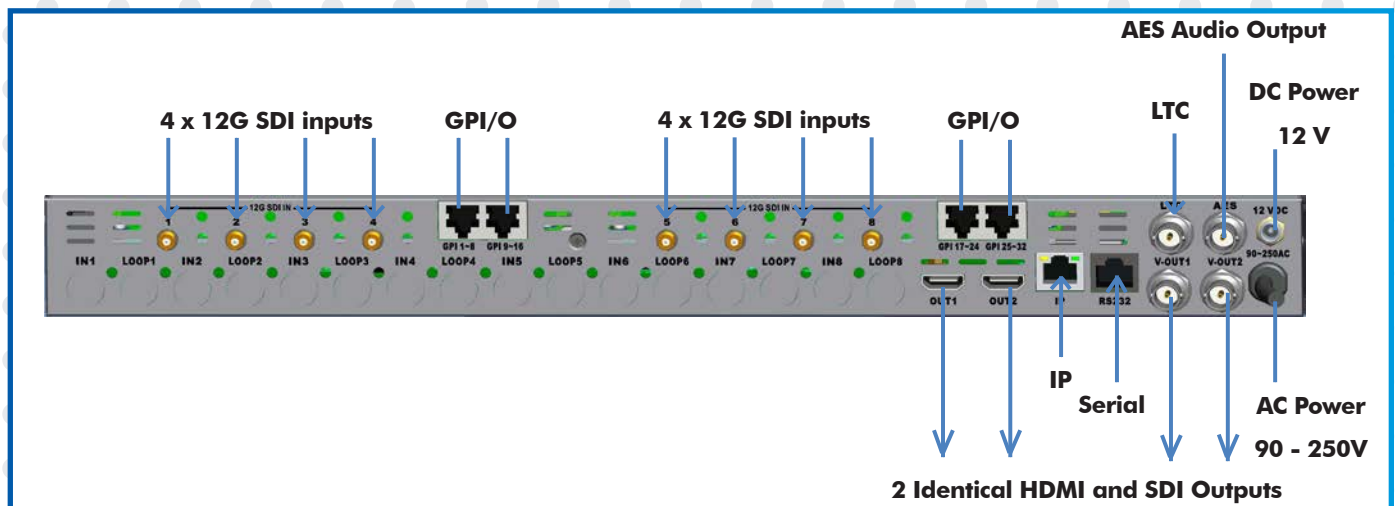
RJ50-DB9: GPI Adapter



RJ45-DB9: RS232 Adapter



DB9 GPI Breakout



# CRESCENT - MI-8 12G+ (PLUS) COST EFFECTIVE DUAL 4X1 UHD (12G SDI) MULTIVIEWER

## Key Features

- Accepts 8 12G SDI (2SI) inputs or 4 12G SDI (Square Division)
- Windows can be sized and moved freely
- Decode up to 16 embedded audio per input
- Total of 128 audio meters
- 2 independent HDMI and SDI outputs with 4 windows
- Ethernet for configuration and external control
- Dynamic UMD/labels & Tallies (TSL)
- Stand alone labels, customizable logos
- 32 GPIs for tallies, counter controls or preset recalls
- 2 digital and 2 analog clocks/counters can be sync'd with LTC or NTP
- Borders with adjustable width/color
- Two sets of Safe area markers per window
- Visual Alarm tags for video/audio alarm detection
- Audio monitoring output pairs - AES, Embedded SDI and HDMI outputs
- 3 year limited warranty



## Standard Accessories

- Rack mount
- 4 x RJ50 to DB9 for GPI
- 4 x breakout terminal blocks
- RJ45 to DB9 for serial
- CD (software, manual)

## Options

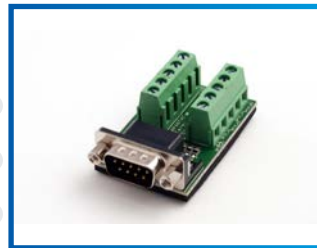
- Redundant power supply
- 1 ft HD-BNC -BNC Female cables
- ATC/VITC Display Licnese



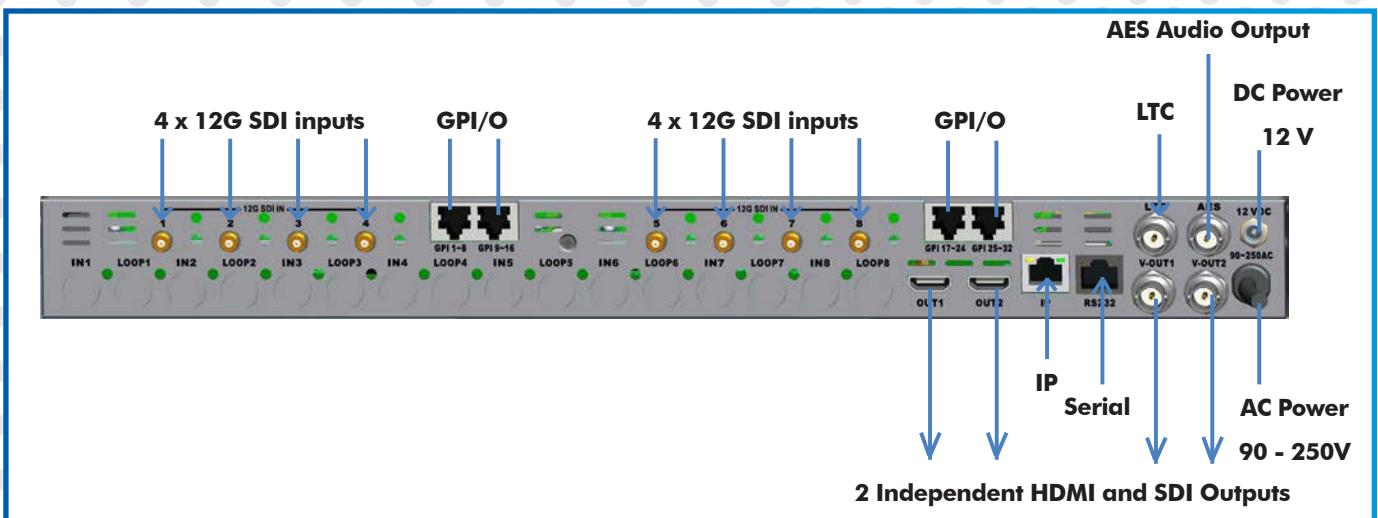
RJ50-DB9: GPI Adapter



RJ45-DB9: RS232 Adapter



DB9 GPI Breakout



# CRESCENT - MI-8 12G# (SHARP) COST EFFECTIVE 8X2 UHD (12G SDI) MULTIVIEWER

## Key Features

- Accepts 8 12G SDI (2SI) inputs or 4 12G SDI (Square Division)
- Windows can be sized and moved freely
- Each input can be duplicated up to 16 times
- All inputs are available for both outputs
- Decode up to 16 embedded audio per input
- Total of 128 audio meters
- 2 independent HDMI and SDI outputs with 4 windows
- Ethernet for configuration and external control
- Dynamic UMD/labels & Tallies (TSL)
- Stand alone labels, customizable logos
- 32 GPIs for tallies, counter controls or preset recalls
- 2 digital and 2 analog clocks/counters can be sync'd with LTC or NTP
- Borders with adjustable width/color
- Two sets of Safe area markers per window
- Visual Alarm tags for video/audio alarm detection
- Audio monitoring output pairs - AES, Embedded SDI and HDMI outputs
- 3 year limited warranty



## Standard Accessories

- Rack mount
- 4 x RJ50 to DB9 for GPI
- 4 x breakout terminal blocks
- RJ45 to DB9 for serial
- CD (software, manual)

## Options

- Redundant power supply
- 1 ft HD-BNC -BNC Female cables
- ATC/VITC Display License



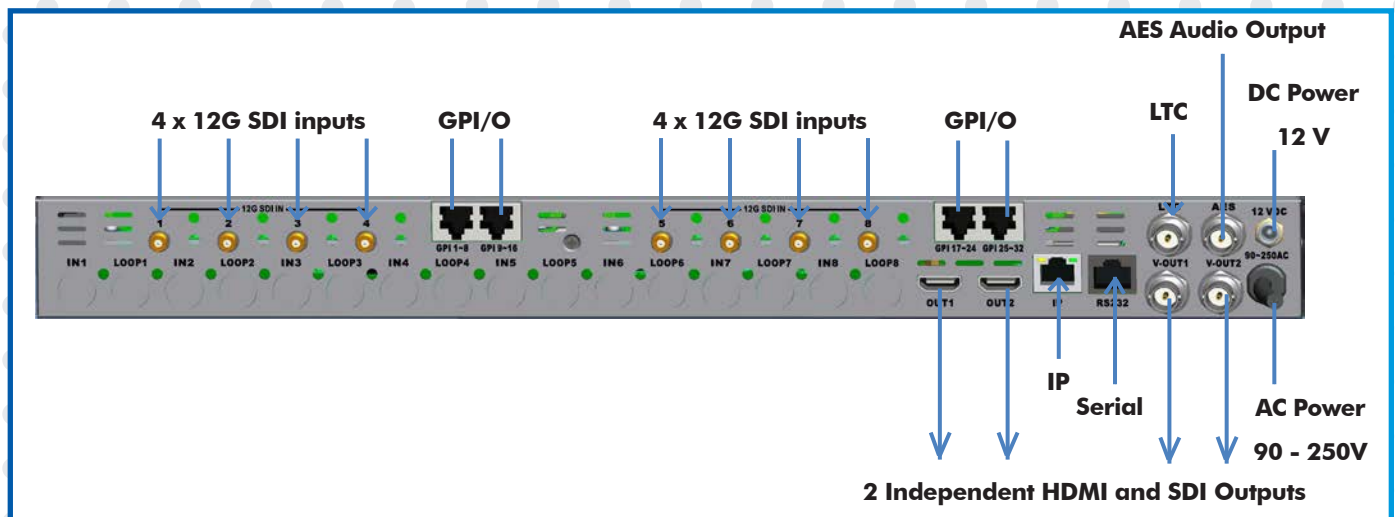
RJ50-DB9: GPI Adapter



RJ45-DB9: RS232 Adapter



DB9 GPI Breakout



Mi-8 12G SPECIFICATIONS			
<b>Inputs</b>	8 (2SI) or 4 (square division) 12G SDI	<b>Video Outputs</b>	2 identical HDMI, SDI
		<b>Audio Outputs</b>	AES and embedded SDI and HDMI audio pair monitor outputs
<b>Connectors</b>	HD-BNC	<b>Output Resolution</b>	1920 x 1080p 50/60Hz
<b>Total Windows</b>	8	<b>On Screen Display</b>	Borders, labels, tally UMD, OMD, IMD, dynamic UMD
		<b>General Purpose IO</b>	Up to 32 inputs with RJ50 - DB9 connectors
		<b>Serial Port</b>	Connector: RJ45, Baud Rate up to 115200 Format, TSL, TSI, AXP
		<b>IP</b>	100 Base-Tx, TSL, AXP Connector: RJ45
<b>Embedded Audio</b>	16 channels	<b>Electrical</b>	50W, 90-250V 50/60 Hz
<b>Alarms</b>	No audio, audio high/low, no video	<b>EMI/RFI</b>	Complies with FCC Part 15 Class A, CE, EU EMC, C-tick
<b>Power</b>	90-250 AC / 12 DC	<b>Size</b>	1 RU, 25 cm (10")

Mi-8 12G+ SPECIFICATIONS			
<b>Inputs</b>	8 (2SI) or 4 (square division) 12G SDI	<b>Video Outputs</b>	2 independent DVI/HDMI, SDI outputs
		<b>Audio Outputs</b>	AES and embedded SDI and HDMI audio pair monitor outputs
<b>Connectors</b>	HD-BNC	<b>Output Resolution</b>	1920 x 1080p 50/60Hz
<b>Total Windows</b>	4+4	<b>On Screen Display</b>	Borders, labels, tally UMD, OMD, IMD, dynamic UMD
		<b>General Purpose IO</b>	Up to 32 inputs with RJ50 - DB9 connectors
		<b>Serial Port</b>	Connector: RJ45, Baud Rate up to 115200 Format, TSL, TSI, AXP
		<b>IP</b>	100 Base-Tx, TSL, AXP Connector: RJ45
<b>Embedded Audio</b>	16 channels per input	<b>Electrical</b>	50W, 90-250V 50/60 Hz
<b>Alarms</b>	No audio, audio high/low, no video	<b>EMI/RFI</b>	Complies with FCC Part 15 Class A, CE, EU EMC, C-tick
<b>Power</b>	90-250 AC / 12 DC	<b>Size</b>	1 RU, 25 cm (10")

Mi-8 12G# SPECIFICATIONS			
<b>Inputs</b>	8 (2SI) or 4 (square division) 12G SDI	<b>Video Outputs</b>	2 independent DVI/HDMI, SDI outputs
		<b>Audio Outputs</b>	AES and embedded SDI and HDMI audio pair monitor outputs
<b>Connectors</b>	HD-BNC	<b>Output Resolution</b>	1920 x 1080p 50/60Hz
<b>Total Windows</b>	8	<b>On Screen Display</b>	Borders, labels, tally UMD, OMD, IMD, dynamic UMD
		<b>General Purpose IO</b>	Up to 32 inputs with RJ50 - DB9 connectors
		<b>Serial Port</b>	Connector: RJ45, Baud Rate up to 115200 Format, TSL, TSI, AXP
		<b>IP</b>	100 Base-Tx, TSL, AXP Connector: RJ45
<b>Embedded Audio</b>	16 channels per input	<b>Electrical</b>	50W, 90-250V 50/60 Hz
<b>Alarms</b>	No audio, audio high/low, no video	<b>EMI/RFI</b>	Complies with FCC Part 15 Class A, CE, EU EMC, C-tick
<b>Power</b>	90-250 AC / 12 DC	<b>Size</b>	1 RU, 25 cm (10")