

Ref. HMH-TX110 Transmitter

Ref. HMH-RX110 Receiver

Robust and reliable 4K@60 and HDCP 2.2 supported HDMI HDBaseT Extender



HMH-TX110 Transmitter



HMH-RX110 Receiver



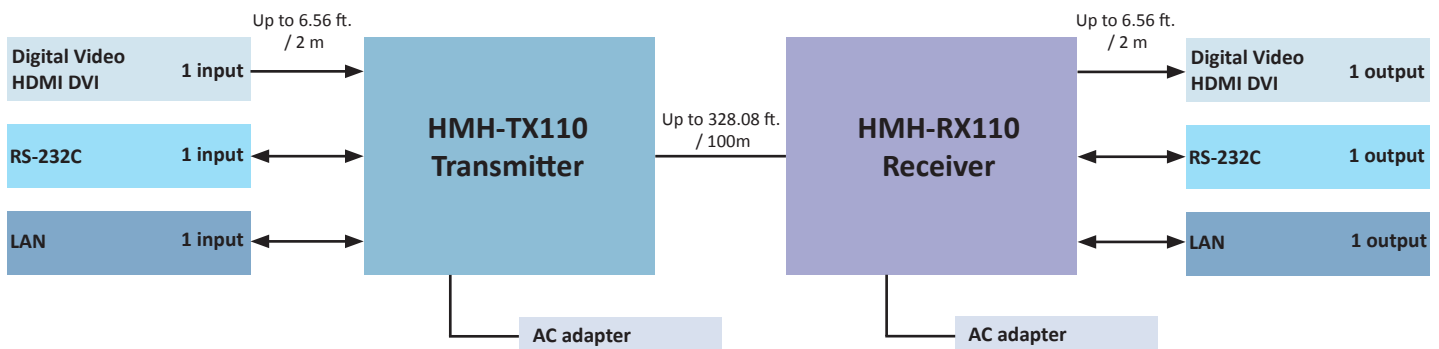
HMH-110 at a glance

- ▶ Ease of use
- ▶ Supports up to 4K@60 (4:2:0)
- ▶ Extends output 1080p signal up to 330ft (100m) using a single Cat6 twisted pair cable
- ▶ Extends output 4K signals up to 230ft (70m) using a single Cat6 twisted pair cable
- ▶ No significant transmission delay. Under 10 μs/330 ft (100m)
- ▶ Each Extender can be sold separately or like a pair

Key features

- Supports HDCP 1.4 and 2.2 (Pass through)
- Supports RS-232C bidirectional communication and LAN transmission
- CEC (Pass through)
- AC Adapter mechanical lock
- Ultra compact metal enclosure

Diagram:



Technical Specifications : HMH-TX110 Transmitter

<p>▶ INPUT</p> <p>Video :</p> <ul style="list-style-type: none">• Number / Signal 1 input / HDMI- HDCP 1.4 / 2.2: Pass through- CEC: Pass through- TMDS clock: 25 MHz to 340 MHz- Dot clock: 25 MHz to 600 MHz <ul style="list-style-type: none">• Connector - 1 female HDMI Type A <ul style="list-style-type: none">• Others - Color depth: 24 bit, 30 bit, 36 bit Deep Color <ul style="list-style-type: none">• Formats - 480i / 480p / 576i / 576p / 720p / 1080i / 1080p / 4K VGA to 4K <p>Audio :</p> <ul style="list-style-type: none">• Number / Signal - 1 input / Multi-channel linear PCM up to 8 channels <ul style="list-style-type: none">• Connector - 1 female HDMI Type A	<p>▶ OUTPUT</p> <p>Video</p> <ul style="list-style-type: none">• Number / Signal - 1 output / HDBaseT <ul style="list-style-type: none">• Connector - 1 RJ-45 <ul style="list-style-type: none">• Others - Color depth: 24 bit, 30 bit, 36 bit Deep Color <ul style="list-style-type: none">• Formats - 480i / 480p / 576i / 576p / 720p / 1080i / 1080p / 4K VGA to 4K <p>Audio :</p> <ul style="list-style-type: none">• Number / Signal - 1 output / HDBaseT <ul style="list-style-type: none">• Connector - 1 RJ-45	<p>▶ Plug & Play - Pass through</p> <p>▶ Twisted pair cables - Cat6 UTP/STP cable, Cat5e UTP / STP cable</p> <p>▶ Signal transmission distance - Up to 1080p: 330ft (approx.) / 100m (using a Cat6 UTP / STP cable) - 4K format: 330ft (approx.) / 100m (using a Cat6 STP / Cat5e STP cable)</p> <p>▶ Control</p> <p>Serial control part</p> <ul style="list-style-type: none">• Number / Signal - 1 port / Full duplex Max. 115.2kbps <ul style="list-style-type: none">• Connector - 1 male 9-pin D-Sub <p>LAN control part</p> <ul style="list-style-type: none">• Number / Signal - 1 port / 10Base-T (Auto Negotiation), 100Base-TX (Auto Negotiation, Auto MDI/MDI-X) <ul style="list-style-type: none">• Connector - 1 RJ-45
--	--	---

Technical Specifications : HMH-RX110 Receiver

<p>▶ INPUT</p> <p>Video :</p> <ul style="list-style-type: none">• Number / Signal 1 input / HDMI <ul style="list-style-type: none">• Connector - 1 RJ-45 <ul style="list-style-type: none">• Others - Color depth: 24 bit, 30 bit, 36 bit Deep Color <ul style="list-style-type: none">• Formats - 480i / 480p / 576i / 576p / 720p / 1080i / 1080p / 4K VGA to 4K <p>Audio :</p> <ul style="list-style-type: none">• Number / Signal - 1 input / HDBaseT <ul style="list-style-type: none">• Connector - 1 RJ-45	<p>▶ OUTPUT</p> <p>Video</p> <ul style="list-style-type: none">• Number / Signal 1 output / HDMI- HDCP 1.4 / 2.2: Pass through- CEC: Pass through- TMDS clock: 25 MHz to 340 MHz- Dot clock: 25 MHz to 600 MHz <ul style="list-style-type: none">• Connector - 1 female HDMI Type A <ul style="list-style-type: none">• Others - Color depth: 24 bit, 30 bit, 36 bit Deep Color <ul style="list-style-type: none">• Formats - 480i / 480p / 576i / 576p / 720p / 1080i / 1080p / 4K VGA to 4K <p>Audio :</p> <ul style="list-style-type: none">• Number / Signal - 1 output / Multi-channel linear PCM up to 8 channels <ul style="list-style-type: none">• Connector - 1 female HDMI Type A	<p>▶ Plug & Play - Pass through</p> <p>▶ Twisted pair cables - Cat6 UTP/STP cable, Cat5e UTP / STP cable</p> <p>▶ Signal transmission distance - Up to 1080p: 330ft (approx.) / 100m (using a Cat6 UTP / STP cable) - 4K format: 330ft (approx.) / 100m (using a Cat6 STP / Cat5e STP cable)</p> <p>▶ Control</p> <p>Serial control part</p> <ul style="list-style-type: none">• Number / Signal - 1 port / Full duplex Max. 115.2kbps <ul style="list-style-type: none">• Connector - 1 male 9-pin D-Sub <p>LAN control part</p> <ul style="list-style-type: none">• Number / Signal - 1 port / 10Base-T (Auto Negotiation), 100Base-TX (Auto Negotiation, Auto MDI/MDI-X) <ul style="list-style-type: none">• Connector - 1 RJ-45
--	---	---

All specifications and drawings are subjects to change without notice / Please do not use supplied AC adapter and power supply cable for other products. / The terms HDMI and HDMI High-Definition Multimedia Interface, and the HDMI Logo are trademarks or registered trademarks of HDMI Licensing, LLC in the United States and other countries / PLink is a trademark in Japan, the United States, and other countries/regions. / HDBase™ and the HDBaseT Alliance Logo are trademarks of the HDBaseT Alliance. / All other company and product names mentioned in this document are either registered trademarks of their respective owners. In this document, the "®" or "™" marks may not be specified.

Dimensions:

- ▶ D 3.94" x W 4.17" x H 1.08"(approx.)
- ▶ D 100 mm x W 106 mm x H 27.5 mm

Weight:

- ▶ 0.4 kg
- ▶ 0.88 lbs (approx.)

Power Supply:

100-240 VAC ; 3A ; 50/60Hz ; 10W (AC adapter supplied)

Supplied with:

- ▶ 1 x AC Adapter (5V 3/A PSU)
- ▶ 1 x Cord Clamp
- ▶ 1 x User Manual (PDF version)*

Warranty:

3-year warranty on parts and labor back to factory.



* User Manuals, Quick Start Guides and the RCS² are also available on www.analogway.com

Specifications subject to change without prior notice

All technical specifications are available on our website