

Rockustics®

ULTRA-FIDELITY OUTDOOR SPEAKERS



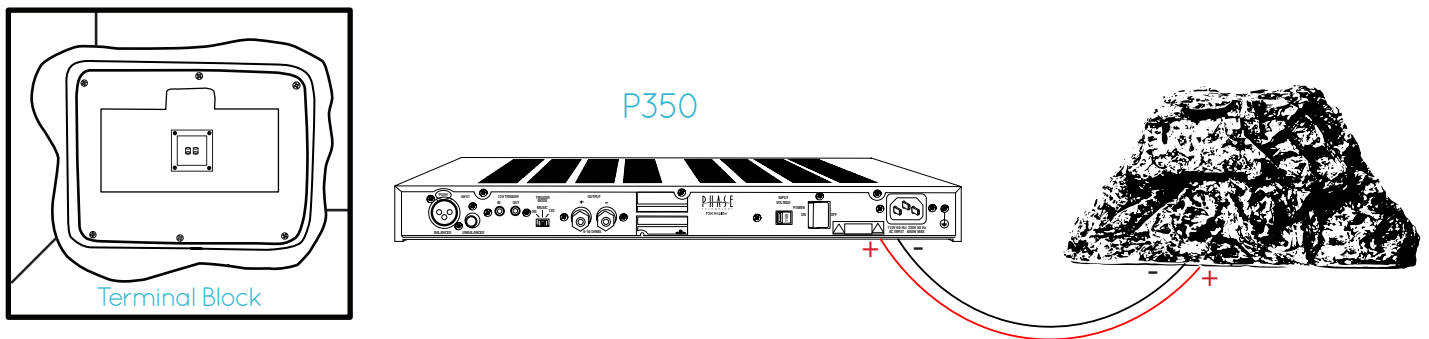
ONESUB™ & DUBSUB™ | OWNER'S MANUAL

ONESUB & DUBSUB | OWNER'S MANUAL

Please read the following instructions carefully before installing your Rockustics® Rock speaker. If you have any questions regarding installation that are not answered in the following directions, please contact your local sound contractor or the Rockustics®/MSE Audio® technical support team. Contact information can be found on the back of the manual.

OneSub™

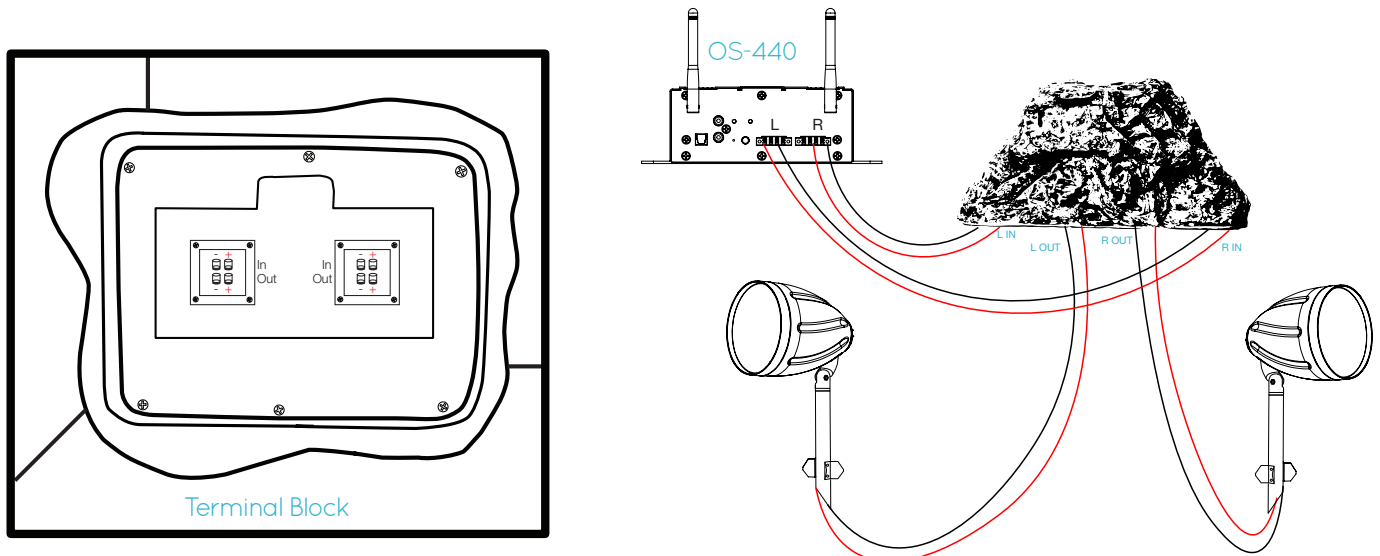
The terminal block is on the underside of the OneSub. 14 gauge or heavier direct burial wire should be run directly from an amplifier with an integrated low frequency crossover (we recommend a Phase Technology P350 amplifier. Please see P350 manual to setup crossover point) to the speaker location. Stripped wire ends are then inserted into the terminal blocks.



DubSub™

The dual terminal blocks are on the underside of the DubSub. 14 gauge or heavier direct burial wire should be run directly from a dual channel full range amplifier. The DubSub has an integrated crossover that will route the low frequencies to the DubSub, and the rest of the signal to the satellite speakers.

Wires from the amplifier are wired to the 'in' terminals, and satellite speakers are wired to the 'out' terminals.



Optimizing Speaker Placement for Best Sound

All Rockustics speakers can generate a high SPL (sound pressure level). Be ready to rock, but be considerate of your neighbors! Maximum acoustic performance should be an important factor in determining speaker placement. Here is how to achieve it:

- 1) Establish where the most likely or average listening position will be.
- 2) The speakers should be placed at or close to the same distance from that point.
- 3) The actual distance between the listening position and the location of the speakers is not critical. However, keep in mind that as the distance between listening area and speaker is increased, there will be a noticeable decrease in perceived volume.
- 4) Be sure to confirm amp power matches the power rating on the speaker. Over-driving the speaker can lead to permanent damage that is not covered under warranty.

Optimizing Aesthetics with Speaker Placement

All Rockustics products are designed with a boost in high frequency response to accommodate for placement near plants and other landscaping features. Feel free to position the product within your landscaping, camouflaged near bushes or shrubs. Rockustics products strive to blend into the natural aesthetic of their surroundings.

Be sure to account for the wires which will run from the rock to your stereo or audio source. Camouflage wires by running them an inch below ground level when possible.

Cautions and Maintenance

All Rockustics Rock Series speakers are sealed and fully weatherproof. However, DO NOT place speakers where the grille will be in the path of a sprinkler system. Sprinklers typically have a high water pressure level that can damage speaker cones if hit directly.

DO NOT place soil or wood chips over the speaker grille. If the grilles accumulate a build up of soil, the speaker may become damaged. If build up does occur, simply rinse the grille with a garden hose set to a low pressure level. Accumulated soil may also promote undesired insect traffic into the speaker. Insects may eat through the speaker cone. Chemical sprays may also cause damage to the rubber of the speaker surround. This includes bug spray, deck sealant, some fertilizers and oil based products. Speakers MUST be covered when applying these treatments or chemicals in your yard.

For environments that get snow and ice during the winter months, be sure to check that the openings and woofer cone are clear and there is no hard-packed snow or ice built up in these areas before playing. If there is ice or snow present on the cone, use a hair dryer set on a low setting to melt it away. If the speakers are not going to be used during winter months, it is recommended that they either be disconnected and brought indoors, or covered with a plastic bag to help protect the speaker components.

Applicable Models

OneSub™

DubSub™