

### VZ-SCM ADVANTAGES

- Mounting head for 10" to 19" CCTV Monitors
- Load Capacity is 22 lbs / 10 kg
- ±90° Tilt Up & Down, 360° Pan Rotation Adjustment along with Achieving that Perfect Viewing Angle
- VESA Standard - 75x75

### Designed specifically for

VZ-101RTC

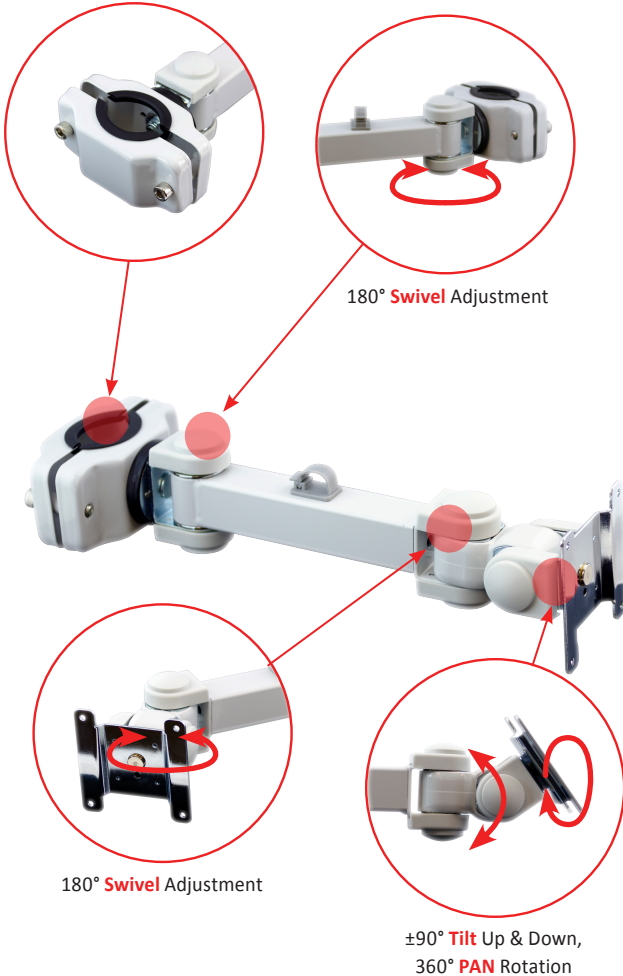
VZ-PVM-I1W4N

VZ-PVM-Z1W5N

VZ-215LED-SN/N

VZ-17/19RTN

1.25" (32 mm) ~ 2.5" (64 mm)



180° Swivel Adjustment

180° Swivel Adjustment

±90° Tilt Up & Down,  
360° PAN Rotation

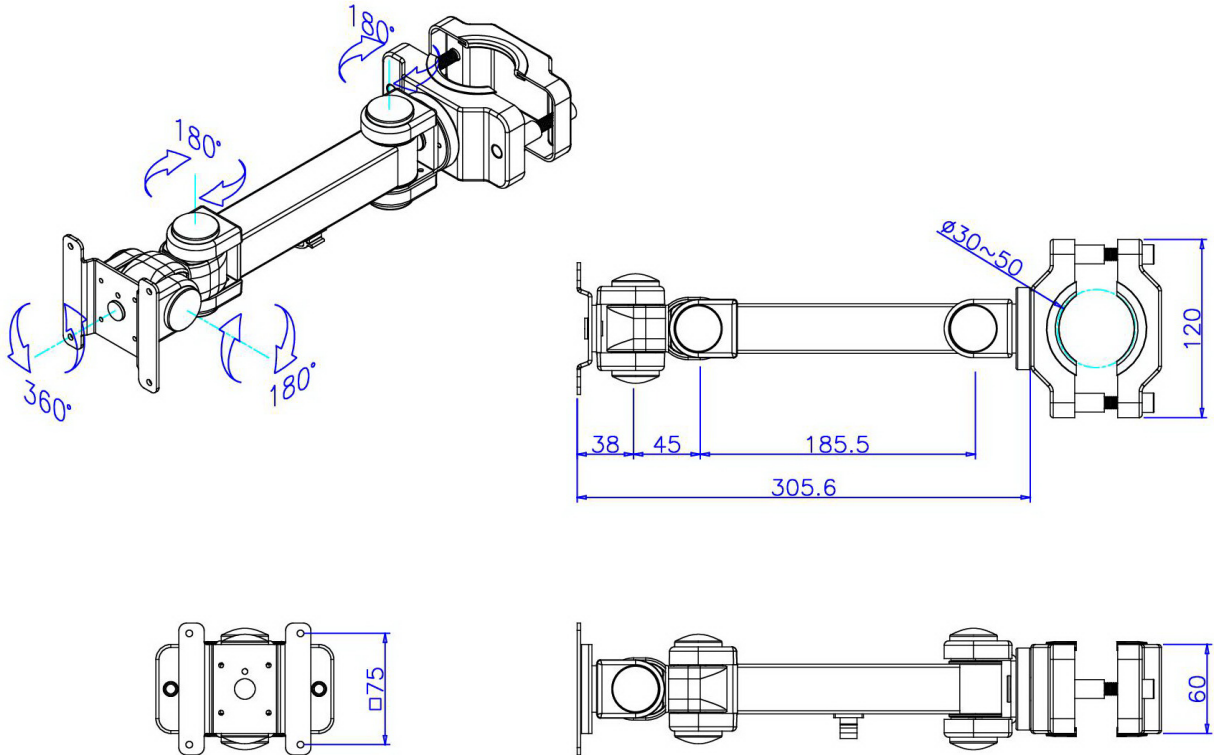


MODEL #	VZ-SCM
<b>FEATURES</b>	
Total Weight Capacity	22 lbs / 10 kg
Display Range	10" ~ 19"
Width	4.72" / 120 mm
Height	3.54" / 90 mm
Depth (Profile)	3.22" ~ 15.41" / 82 ~ 392 mm
Net Weight	6.0 lbs ( 2.72 kg )
Swivel	± 90 °
PAN Rotation Capability	360°
Tilt Capability	± 90 ° (Up & Down)
Mounting Pole Size	1.25" (32 mm) ~ 2.5" (64 mm)
Mounting Patterns Type	VESA
Mounting Patterns	75x75

### Contact ViewZ

- Address : 177 W. Orangethorpe Ave., Placentia, CA 92870
- Phone : (714) 996-1177, Fax : (714) 996-1138
- Sales : sales@viewzusa.com
- Specification subject to change without notice.

### DIMENSIONS



### Contact ViewZ

- Address : 177 W. Orangethorpe Ave., Placentia, CA 92870
- Phone : (714) 996-1177, Fax : (714) 996-1138
- Sales : sales@viewzusa.com
- Specification subject to change without notice.