

CRESCENT MICRO-DE-4 COMPACT HDMI QUAD SPLIT

Key Features

- Compact HDMI Quad Split
- Supports 480P, 720P, 1080i and 1080P inputs
- HDMI and SDI output with embedded audio
- Supports embedded 4 channels of embedded audio
- Can display up to 4 audio meters
- Under Monitor Displays (UMD)
- Borders
- Safe Area indicators
- Dynamic Tally via TSL (IP) or GPI
- Any Window can be made full screen
- IP control



Accessories

- DC 5V power supply
- 4 Type D to A HDMI cables
- RJ50 to DB9 for GPI
- Breakout terminal block
- CD (software, manual)

Options

- 1 RU rack mount



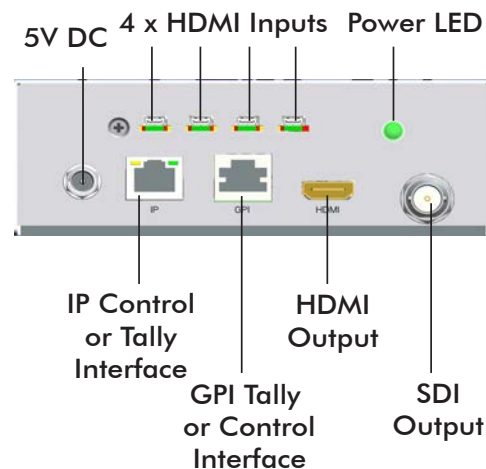
RJ50-DB9: GPI Adapter



DB9 GPI Breakout



HDMI Type D to A Cable



MicroDE-4			
Video Inputs	HDMI	Outputs	1 x HDMI, 1 SDI
Total Windows	4	HDMI	1080P 50/60Hz
Input Resolutions	480P, 720P, 1080i, 1080P 50/60Hz	SDI	Matching HDMI output resolution up to 3G
On Screen Display	Border, Label, Tally, Safe Area Indicators, Alarm and Audio meters	GPI	8 Tally, preset recall or ASCII
IP	100 Base-Tx, TSL, AXP	Electrical	5V 3A 50/60 Hz
EMI/RFI	Complies with FCC Part 15, Class A, CE, EU, EMC, C-tick	IP	100 Base-Tx, TSL, AXP
Size	171 x 120 x 44.5 mm	Mount	Magnetic

