

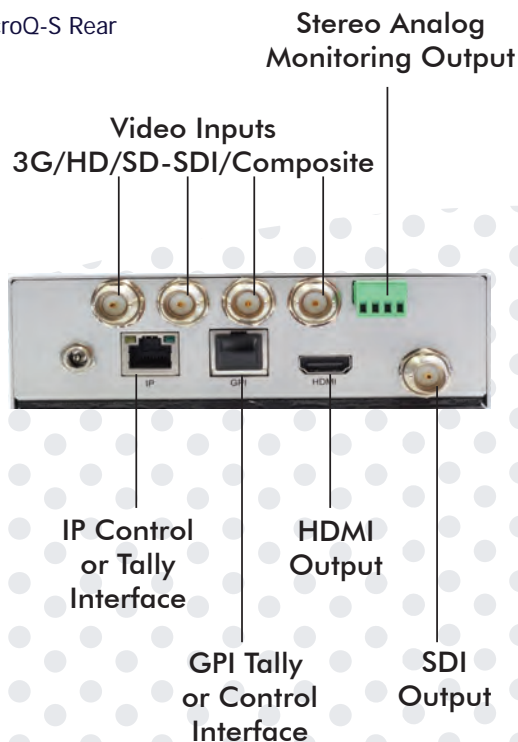
# CRESCENT MICROQ-S PRODUCTION COMPACT VIDEO QUAD SPLIT

- Compact Video Quad Split • Supports 3G/HD/SD-SDI/Composite input in 50/60Hz
  - HDMI and SDI output with embedded audio for monitoring
    - Supports embedded audio, stereo analog audio output
    - Safe Area indicators • Dynamic Tally via TSL (IP) or GPI
- Any Window can be made full screen • Front panel buttons to recall presets • IP control

## MicroQ-S

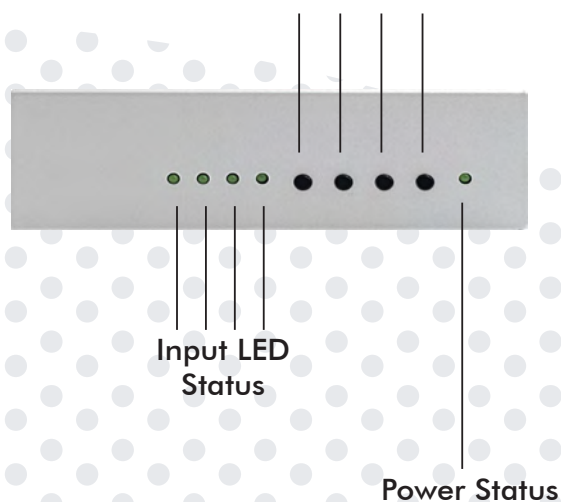
Simple Compact Video Quad Split with HDMI and SDI Output

MicroQ-S Rear



MicroQ-S Front

Each Button is dedicated for each Input  
Push the Button once to go full screen  
Push it again to go back to Quad Split



MicroQ-S			
<b>Video Inputs</b>	3G/HD/SD-SDI, Composite	<b>Outputs</b>	1 x HDMI, 1 SDI
<b>Total Windows</b>	4	<b>HDMI</b>	800x480 to 1920x1200 (1080p) 50/60 Hz
<b>Serial Digital</b>	SMPTE 424M, 292M, 259M	<b>SDI</b>	Matching HDMI output resolution up to 3G
<b>Equalization</b>	120m at 2.97 Gbps, 140m at 1.48 Gbps, 400m at 270 Mbps with Belden 1694A	<b>On Screen Display</b>	Border, Label, Tally, Safe Area Indicators, Alarms and Audio Meters
<b>Return Loss</b>	> 15db up to 1.485 Gbps < > 10db up to 3G	<b>GPI</b>	8 for Tally, preset recall, or ASCII
<b>Embedded Audio</b>	SMPTE-272M-A	<b>IP</b>	100 Base-Tx, TSL, AXP
<b>Composite</b>	NTSC (SMPTE-170M), PAL (ITU624-2)	<b>Electrical</b>	12 W, 90-250V 50/60Hz
<b>Signal Level</b>	1V nominal	<b>EMI/RFI</b>	Complies with FCC Part 15, Class A, CE, EU, EMC, C-tick
<b>DC Offset</b>	0V, + - 0.1V	<b>Power</b>	5 DC 3A
<b>Impedance</b>	75 ohm	<b>Size</b>	171 mm W x 120 mm D x 44.45 mm H
<b>Return Loss</b>	40db up to 5MHz	<b>Mount</b>	Magnetic

