

MINI MULTIMEDIA MULTIVIEWER

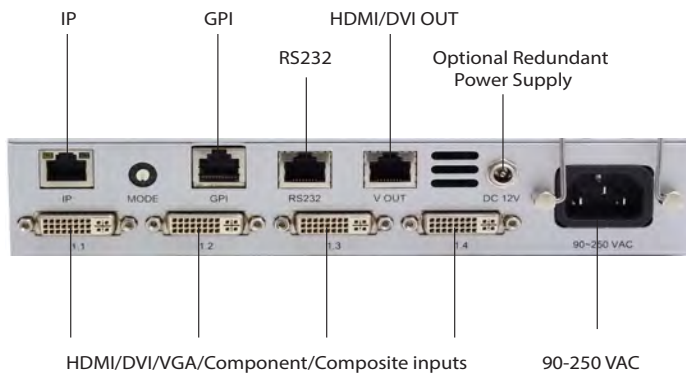
- Cost effective multimedia input multiviewer
- 4 Universal inputs: DVI, HDMI - with HDCP, VGA, YPbPr, composite
 - Windows can be sized freely
- ASCII protocol for remote control • IP and RS232 control
 - DVI / HDMI outputs up to 1080P60

MiniDE-4

Simple Compact Multiviewer with Multimedia Inputs



MiniDE-4			
Video Inputs	HDMI, VGA, DVI, Component, Composite	Outputs	1 x HDMI/DVI
Total Windows	4	HDMI	800x480 - 1920x1080P
Connector	DVI-I (DVI-I-VGA Adapter DVI-I-Composite adapter Optional DVI-I-HDMI adapter optional DVI-I-YPbPr adapter) BNC IEC 61169-8 Annex A	Built-In CATx Extender	Up to 35 feet with passive receiver Up to 115 feet with active receiver
Composite	NTSC (SMPTE-170M) PAL (ITU624-2)	On Screen Display	N/A
Signal Level	1 V nominal	General Purpose IO	RJ50 (8 connectors)
DC Offset	0V, + - 0.1V	IP	100 Base-Tx, Supported Protocol: AXP_Lite, Connector: RJ45
Impedence	75 ohm	Electrical	25 W, 90-250 V 50/60 Hz
Return Loss	40db up to 5MHz	EMI/RFI	Complies with FCC Part 15, Class A, CE, EU EMC, C-tick
Size	1/2 width of 1RU 21.5cm (8.5") W x 37cm (14.6") D	Power	Optional redundant power supply
Control	Front panel buttons for quick preset recalls, GPIs, AXP_Lite, built-in webpage, MiniDE_Lite control application		



MiniDE-4



MiniDE-4 APPLICATION DIAGRAM