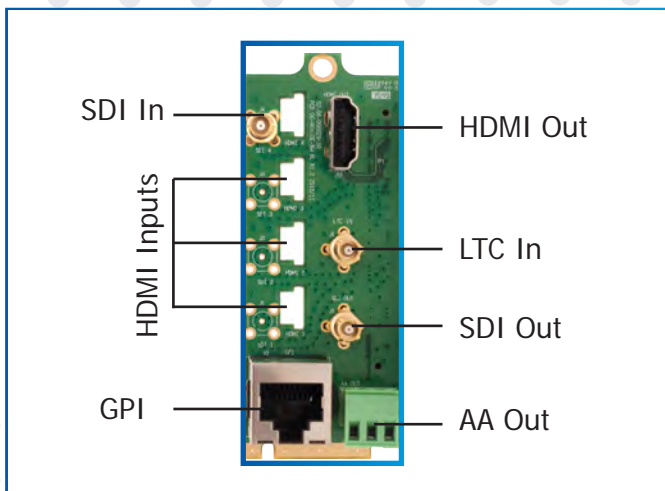


TAHOMA OG-MINIDL-X+X (OPENGear) MODULAR CASCADABLE 4 INPUT MULTIVIEWER (UP TO 40 INPUTS)

Key Features

- openGear 3.0 card-based form factor
- Dashboard control enabled - for simple configuration
- Mixed format inputs, can be 1+3 (1 HDMI + 3 SDI), 2+2 (2 HDMI + 2 SDI), 3+1 (3 HDMI + 1 SDI)
- Low power consumption - 17W
- Up to 10 modules can be cascaded together
- Can also be cascaded with OG-MiniQ and OG-Mini-DE-II modules to create a mix and match format multiviewer
- Decode up to 4 channels embedded audio per HDMI input
- Ethernet for configuration
- Dynamic UMD/labels & Tallies (TSL)
- Simultaneous HDMI/DVI and SDI outputs
- 2 GPI tallies per window
- 8 GPI contacts, can be configured for tally or ASCII protocol
- Built-in digital clocks can sync with LTC or NTP
- Borders can be turned on or off
- Text and background colors have adjustable transparency
- Safe area markers
- Stereo analog audio monitoring output
- 5 year limited warranty



OG-MiniDL-3+1-RM

Rear Module Options

OG-Mini-DL-1+3-RM (2 slots)

- 1 x HDMI Input + 3 x SDI Inputs
- 1 x BNC Output
- 1 x HDMI Output
- 1 x RJ50 for GPI/Tally
- 1 x 3-pin Connector for AA Out

Standard Accessories for RM

- RJ50 to DB9 (for GPI)
- DB9 to Terminal Block (for GPI)
- 1 x Type D HDMI male to Type A HDMI Female cable
- 3 x HD-BNC to BNC cable

OG-Mini-DL-2+2 (2 slots)

- 2 x HDMI Inputs + 2 x SDI Inputs
- 1 x BNC Output
- 1 x HDMI Output
- 1 x RJ50 for GPI/Tally
- 1 x 3-pin Connector for AA Out

Standard Accessories for RM

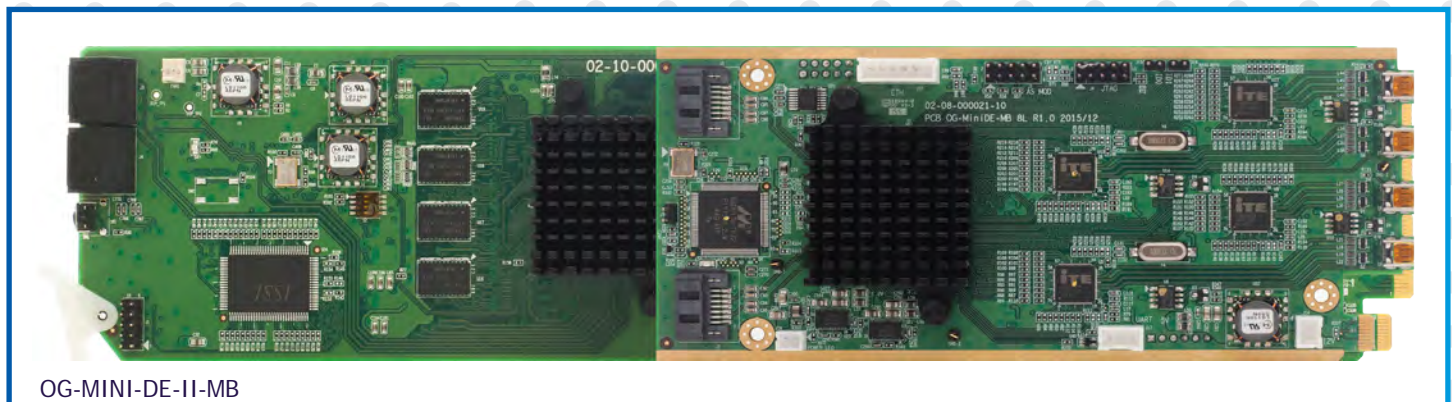
- RJ50 to DB9 (for GPI)
- DB9 to Terminal Block (for GPI)
- 2 x Type D HDMI male to Type A HDMI Female cable
- 2 x HD-BNC to BNC cable

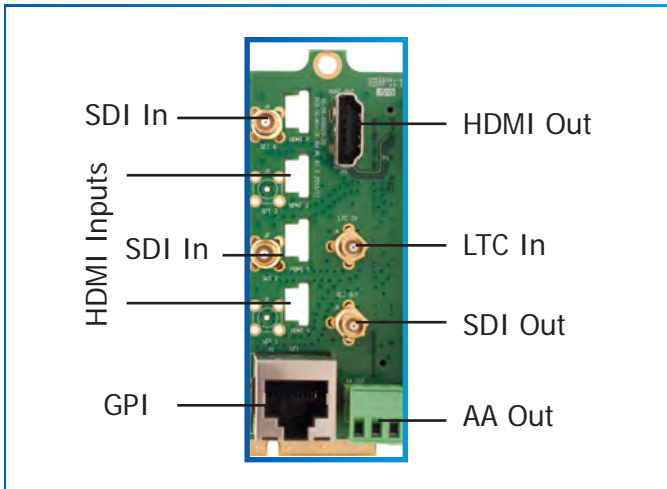
OG-Mini-DL-3+1 (2 slots)

- 3 x HDMI Inputs + 1 x SDI Inputs
- 1 x BNC Output
- 1 x HDMI Output
- 1 x RJ50 for GPI/Tally
- 1 x 3-pin Connector for AA Out

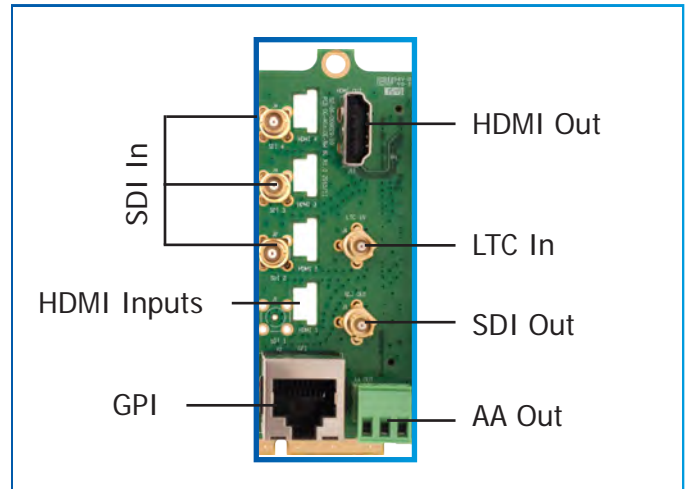
Standard Accessories for RM

- RJ50 to DB9 (for GPI)
- DB9 to Terminal Block (for GPI)
- 3 x Type D HDMI male to Type A HDMI Female cable
- 1 x HD-BNC to BNC cable





OG-MiniDL-2+2-RM



OG-MiniDL-1+3-RM

How to Order

- OG-MiniDL-1+3: OG-MiniDE-II-MB + OG-MiniDL-1+3-RM
- OG-MiniDL-2+2: OG-MiniDE-II-MB + OG-MiniDL-2+2-RM
- OG-MiniDL-3+1: OG-MiniDE-II-MB + OG-MiniDL-3+1-RM



RJ50-DB9: GPI Adapter



DB9 GPI Breakout

SPECIFICATIONS			
Total Windows	4	Output	1 x HDMI/DVI, 1 x SDI HDM and SDI has embedded audio
Inputs	HDMI / DVI + SDI	HDMI	800x480 to 1920x1200 (1080p) 50/59.94/60Hz
Connector Type	HDMI Type D + HD-BNC	Connector Type	HDMI Type A
Maximum Resolution	up to 1920x1200/1080P60	SDI	Matching the HDMI output resolution up to 3G with valid SDI resolutions
Embedded Audio	Decodes and displays 4 channels for HDMI Decodes and displays 16 channels for SDI	Connector Type	HD-BNC
LTC	1	Analog Audio Output	1
Connector Type	HD-BNC	On Screen Display	Borders, Labels, Tallies, Audio meters, Alarm tags, Safe area markers
GPI	8 for tally or AXP (ASCII command)	IP	1000 Base-T, TSL, AXP_Lite protocol
Connector Type	RJ-50 (with Terminal Block)	Power	17W