

OG-MICRO-SINGLE SDI TO HDMI/DVI CONVERTER W/OSD

Key Features

- openGear 3.0 card-based form factor
- Dashboard control enabled
- Auto-detect 3G/HD/SD-SDI, PAL/NTSC input
- Low power consumption - 12W
- Single frame processing delay
- Decode up to 8 embedded audio per SDI input
- Display up to 8 audio meters per window
- Stereo analog audio input
- Ethernet for configuration, dynamic labels & Tallies (TSL)
- Simultaneous HDMI/DVI and SDI outputs
- 2 GPI tallies
- 8 GPI contacts, can be configured for tally or ASCII protocol
- Borders can be turned on or off
- 1x 32 characters label
- Text and background colors have adjustable transparency
- Safe area markers
- Visual Alarm tags for audio and video presence
- Dynamic (TSL) UMD/Label
- Stereo analog audio monitoring output
- HDMI and SDI outputs have embedded stereo audio pair
- 5 year limited warranty



Rear Module Options (Occupies 2 Slots)

OG-Micro-Single-RM

- 1 x BNC Input
- 1 x BNC Output
- 1 x HDMI Output
- 1 x RJ50 for GPI/Tally
- 1 x 3-pin Connector for AA Out

Standard Accessories

- RJ50 to DB9 (for GPI)
- DB9 to Terminal Block (for GPI)

OG-Micro-Single-RMx

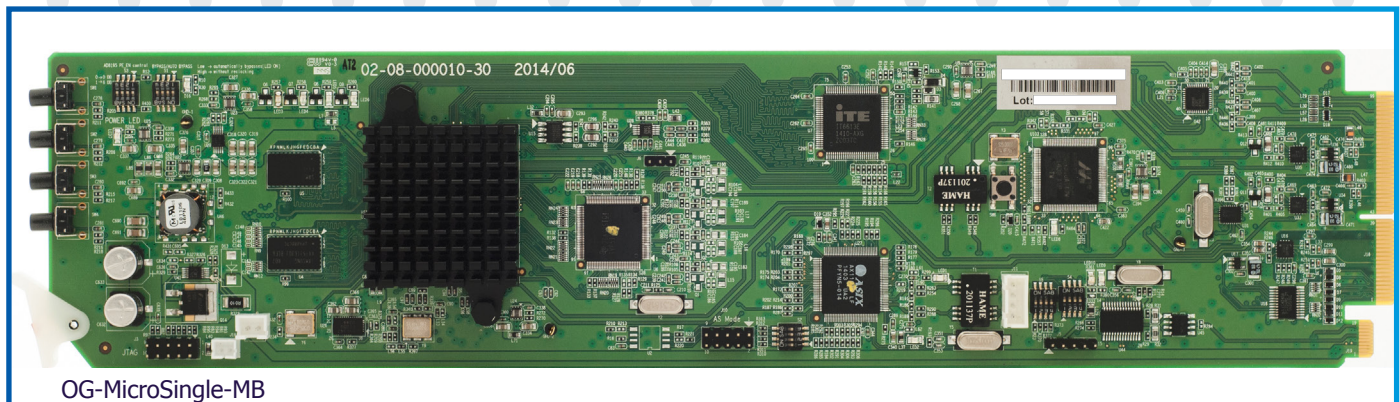
- 1 x BNC Input
- 1 x BNC Output
- 1 x RJ45 (Extended HDMI Output)
- 1 x RJ50 for GPI/Tally
- 1 x 3-pin Connector for AA Out

Standard Accessories

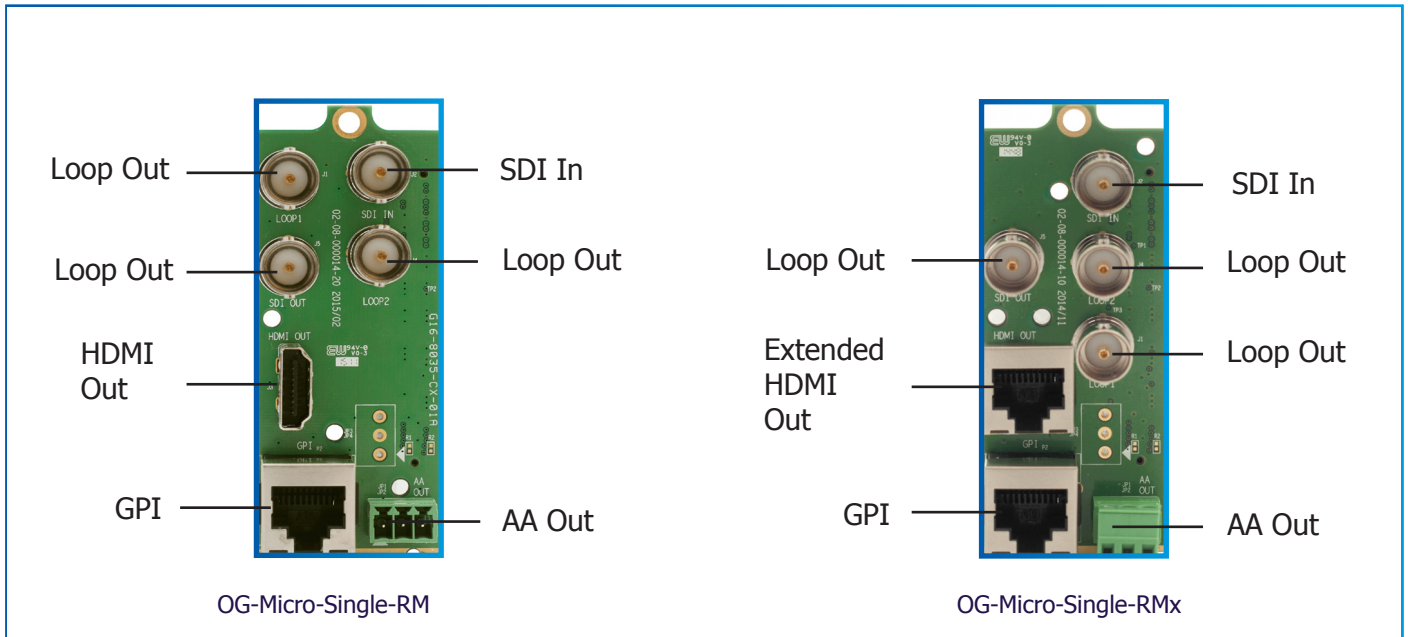
- RJ50 to DB9 (for GPI)
- DB9 to Terminal Block (for GPI)
- 1 x 15 ft CAT6 cable
- 1 x RJ45 to HDMI (HDMI-SR)
- 1 x RJ45 to DVI (DVI-SR)

Optional Accessories for RMx

- HDMI-1-R
(Active HDMI Receiver that supports 1080p resolution up to 115 ft /35m)
- DVI-1-LR
(Active DVI Receiver that supports 1080p resolution up to 115 ft /35m)
- VGA-Rec
(VGA output receiver that supports 1080p resolution up to 35 ft /10m)



OG-MicroSingle-MB



How to Order

- OG-MicroSingle-SET-1: OG-MicroSingle-MB + QG-MicroSingle-RM
- OG-MicroSingle-SET-2: OG-MicroSingle-MB + OG-MicroSingle-RMx

SPECIFICATIONS			
Total Image	1	Output	1 x HDMI/DVI, 1 x SDI
Inputs	3G/HD/SD-SDI/Composite	HDMI (OG-MicroQ-RM)	800x480 to 1920x1200 (1080p) 50/59.94/60Hz
Serial Digital	SMPTE 424M 292M, 259M	RJ45 (OG-MicroQ-RMx)	Up to 35 feet with passive receiver Up to 115 feet with active receiver (option: HDMI-1-R)
Equalization	120m at 2.97 Gbps, 140m at 1.48 Gbps, 400m at 270 Mbps with Belden 1694A	SDI	Matching the HDMI output resolution up to 3G
Return Loss	> 15db up to 1.485 Gbps, > 10db up to 3G	On Screen Display	Borders, Labels, Tallies, Audio meters, Alarm tags, Safe area markers
Embedded Audio	SMPTE-272M-A	GPI	8 for tally or AXP (ASCII command)
Composite	NTSC (SMPTE-170M), PAL (ITU624-2)	IP	100 Base-T, TSL, AXP_Lite protocol
Signal Level	1V nominal	Power	12W
DC Offset	0V, + - 0.1V		
Impedance	75 ohm		
Return Loss	40db up to 5MHz		