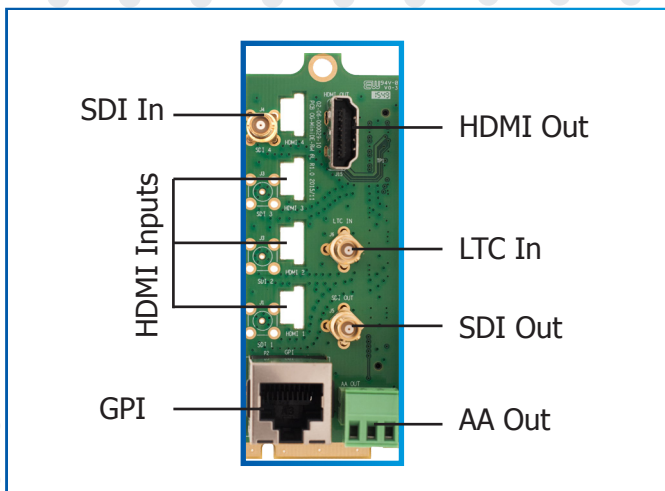


# TAHOMA OG-MINIDL-X+X (OPENGear) MODULAR CASCADABLE 4 INPUT MULTIVIEWER (UP TO 40 INPUTS)

## Key Features

- openGear 3.0 card-based form factor
- Dashboard control enabled - for simple configuration
- Mixed format inputs, can be 1+3 (1 HDMI + 3 SDI), 2+2 (2 HDMI + 2 SDI), 3+1 (3 HDMI + 1 SDI)
- Low power consumption - 17W
- Up to 10 modules can be cascaded together
- Can also be cascaded with OG-MiniQ and OG-Mini-DE-II modules to create a mix and match format multiviewer
- Decode up to 4 channels embedded audio per HDMI input
- Ethernet for configuration
- Dynamic UMD/labels & Tallies (TSL)
- Simultaneous HDMI/DVI and SDI outputs
- 2 GPI tallies per window
- 8 GPI contacts, can be configured for tally or ASCII protocol
- Built-in digital clocks can sync with LTC or NTP
- Borders can be turned on or off
- Text and background colors have adjustable transparency
- Safe area markers
- Stereo analog audio monitoring output
- 5 year limited warranty



OG-MiniDL-3+1-RM

## Rear Module Options

### OG-Mini-DL-1+3-RM (2 slots)

- 1 x HDMI Input + 3 x SDI Inputs
- 1 x BNC Output
- 1 x HDMI Output
- 1 x RJ50 for GPI/Tally
- 1 x 3-pin Connector for AA Out

### Standard Accessories for RM

- RJ50 to DB9 (for GPI)
- DB9 to Terminal Block (for GPI)
- 1 x Type D HDMI male to Type A HDMI Female cable
- 3 x HD-BNC to BNC cable

### OG-Mini-DL-2+2 (2 slots)

- 2 x HDMI Inputs + 2 x SDI Inputs
- 1 x BNC Output
- 1 x HDMI Output
- 1 x RJ50 for GPI/Tally
- 1 x 3-pin Connector for AA Out

### Standard Accessories for RM

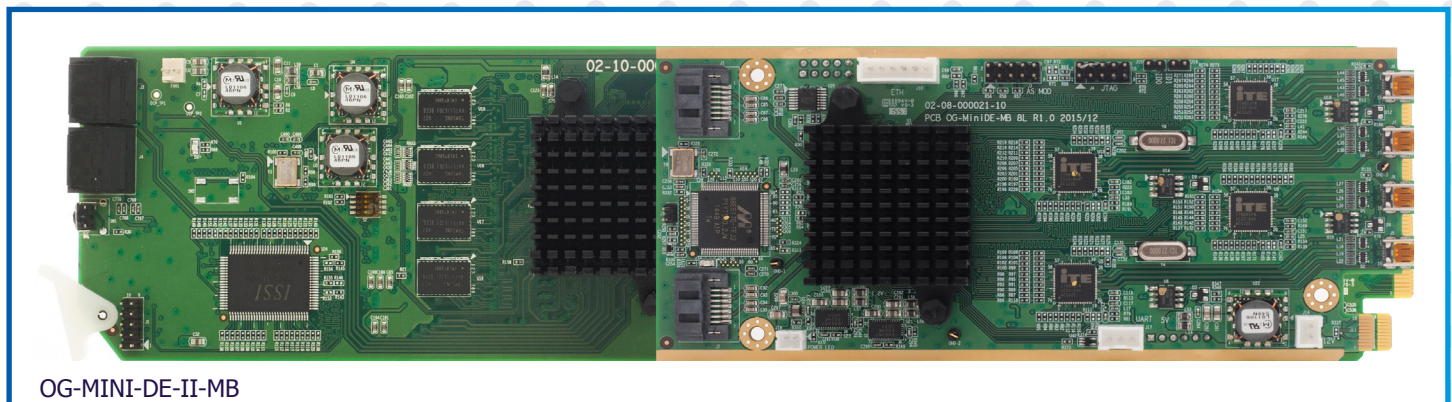
- RJ50 to DB9 (for GPI)
- DB9 to Terminal Block (for GPI)
- 2 x Type D HDMI male to Type A HDMI Female cable
- 2 x HD-BNC to BNC cable

### OG-Mini-DL-3+1 (2 slots)

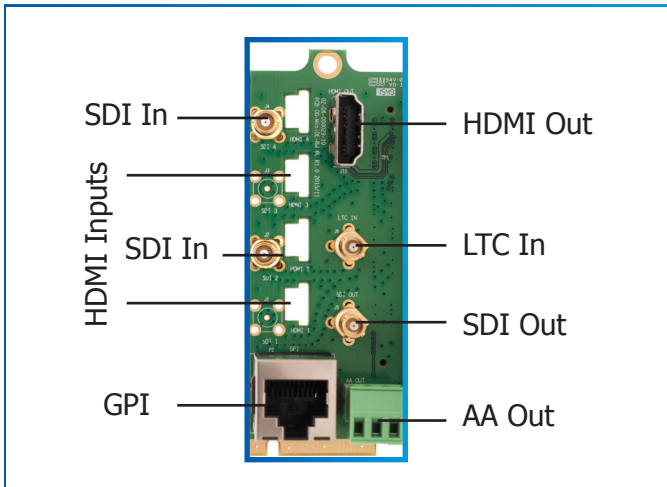
- 3 x HDMI Inputs + 1 x SDI Inputs
- 1 x BNC Output
- 1 x HDMI Output
- 1 x RJ50 for GPI/Tally
- 1 x 3-pin Connector for AA Out

### Standard Accessories for RM

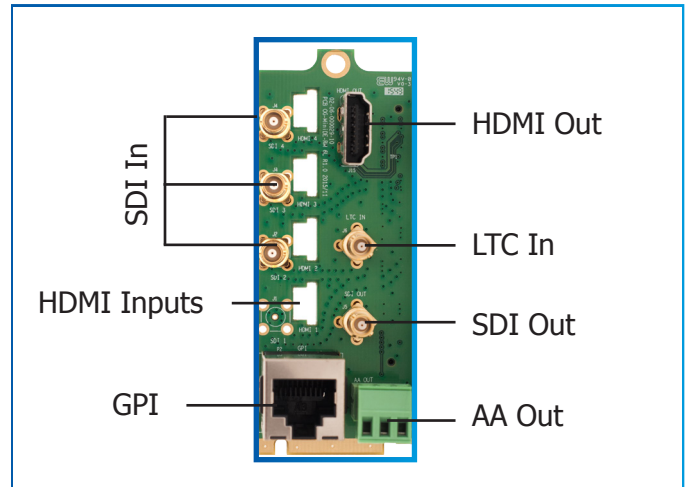
- RJ50 to DB9 (for GPI)
- DB9 to Terminal Block (for GPI)
- 3 x Type D HDMI male to Type A HDMI Female cable
- 1 x HD-BNC to BNC cable



OG-MINI-DE-II-MB



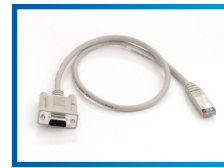
OG-MiniDL-2+2-RM



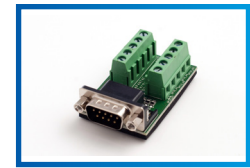
OG-MiniDL-1+3-RM

## How to Order

- OG-MiniDL-1+3: OG-MiniDE-II-MB + QG-MiniDL-1+3-RM
- OG-MiniDL-2+2: OG-MiniDE-II-MB + QG-MiniDL-2+2-RM
- OG-MiniDL-3+1: OG-MiniDE-II-MB + QG-MiniDL-3+1-RM



RJ45-DB9: GPI Adapter



DB9 GPI Breakout

SPECIFICATIONS			
<b>Total Windows</b>	4	<b>Output</b>	1 x HDMI/DVI, 1 x SDI HDM and SDI has embedded audio
<b>Inputs</b>	HDMI / DVI + SDI	<b>HDMI</b>	800x480 to 1920x1200 (1080p) 50/59.94/60Hz
<b>Connector Type</b>	HDMI Type D + HD-BNC	<b>Connector Type</b>	HDMI Type A
<b>Maximum Resolution</b>	up to 1920x1200/1080P60	<b>SDI</b>	Matching the HDMI output resolution up to 3G with valid SDI resolutions
<b>Embedded Audio</b>	Decodes and displays 4 channels for HDMI Decodes and displays 16 channels for SDI	<b>Connector Type</b>	HD-BNC
<b>LTC</b>	1	<b>Analog Audio Output</b>	1
<b>Connector Type</b>	HD-BNC	<b>On Screen Display</b>	Borders, Labels, Tallies, Audio meters, Alarm tags, Safe area markers
<b>GPI</b>	8 for tally or AXP (ASCII command)	<b>IP</b>	1000 Base-T, TSL, AXP_Lite protocol
<b>Connector Type</b>	RJ-50 (with Terminal Block)	<b>Power</b>	17W