

**OG-Pinnacle-C****SDI TO HDMI/DVI CONVERTER/SCALER WITH REGION OF INTEREST****Key Features**

- openGear 3.0 card-based form factor
- 3G/HD/SD-SDI to SDI/HDMI converter/scaler
- Crop and Zoom for Region of Interest (ROI)
- Shift horizontally or vertically
- Built-in scaler/de-interlacer
- SDI output that matches HDMI output
- Remote control for preset recall
- Automatic input aspect ratio detection
- 5 year limited warranty

**Original Image****Post Crop and Zoom****Rear Module Options  
(Occupies 2 Slots)****OG-Pinnacle-C-RM**

- 1 x BNC Input
- 1 x BNC Output
- 1 x HDMI Output
- 1 x RJ50 for GPI/Tally
- 1 x 3-pin Connector for AA Out

**Standard Accessories**

- RJ50 to DB9 (for GPI)
- DB9 to Terminal Block (for GPI)

**OG-Pinnacle-C-RM-x**

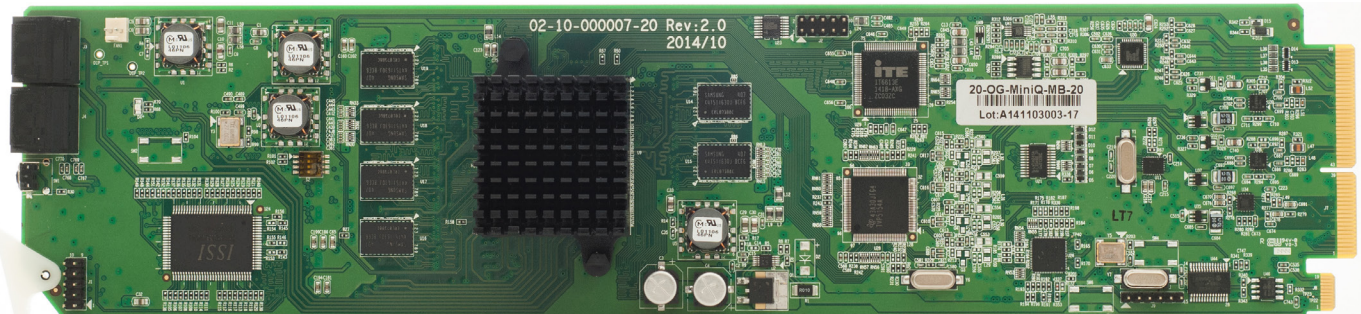
- 1 x BNC Input
- 1 x BNC Output
- 1 x RJ45 (Extended HDMI Output)
- 1 x RJ50 for GPI/Tally
- 1 x 3-pin Connector for AA Out

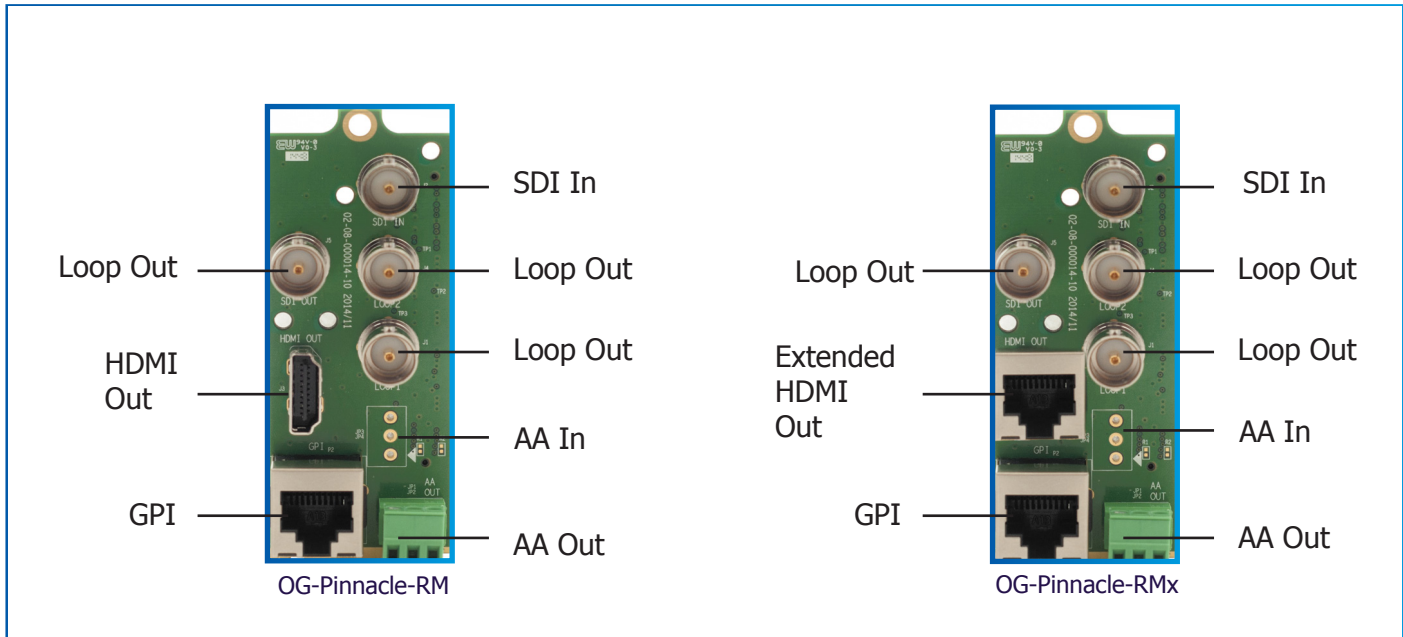
**Standard Accessories**

- RJ50 to DB9 (for GPI)
- DB9 to Terminal Block (for GPI)
- 1 x 15 ft CAT6 cable
- 1 x RJ45 to HDMI (HDMI-SR)
- 1 x RJ45 to DVI (DVI-SR)

**Optional Accessories for RM-x**

- HDMI-1-R  
(Active HDMI Receiver that supports 1080p resolution up to 115 ft /35m)
- DVI-1-LR  
(Active DVI Receiver that supports 1080p resolution up to 115 ft /35m)
- VGA-Rec  
(VGA output receiver that supports 1080p resolution up to 35 ft /10m)

**OG-Pinnacle-C-MB**



## How to Order

- OG-Pinnacle-C-SET-1: OG-Pinnacle-C-MB + OG-Pinnacle-C-RM
- OG-Pinnacle-C-SET-2: OG-Pinnacle-C-MB + OG-Pinnacle-C-RMx

SPECIFICATIONS			
<b>Total Windows</b>	1	<b>Output</b>	1 x HDMI/DVI, 1 x SDI HDM and SDI has embedded audio
<b>Inputs</b>	3G/HD/SD-SDI/Composite	<b>HDMI (OG-Pinnacle-RM)</b>	800x480 to 1920x1200 (1080p) 50/59.94/60Hz
<b>Serial Digital</b>	SMPTE 424M 292M, 259M	<b>RJ45 (OG-Pinnacle-RMx)</b>	Up to 35 feet with passive receiver Up to 115 feet with active receiver (option)
<b>Equalization</b>	120m at 2.97 Gbps, 140m at 1.48 Gbps, 400m at 270 Mbps with Belden 1694A	<b>SDI</b>	Matching the HDMI output resolution up to 3G
<b>Return Loss</b>	> 15db up to 1.485 Gbps, > 10db up to 3G	<b>Input Loopout</b>	SDI only. The loop out will not work with composite inputs
<b>Embedded Audio</b>	SMPTE-272M-A	<b>GPI</b>	8 for tally or AXP (ASCII command)
<b>Composite</b>	NTSC (SMPTE-170M), PAL (ITU624-2)	<b>IP</b>	100 Base-T, TSL, AXP_Lite protocol
<b>Signal Level</b>	1V nominal	<b>Power</b>	15W
<b>DC Offset</b>	0V, + - 0.1V		