



Model: WS FOR IPAD PRO - STD

Family: WALL-SMART

DWG NO. 10-04-279-SPC

Model No.: 10-01-279

PRODUCT SPEC.

REVISION A

DATE 11/11/2015



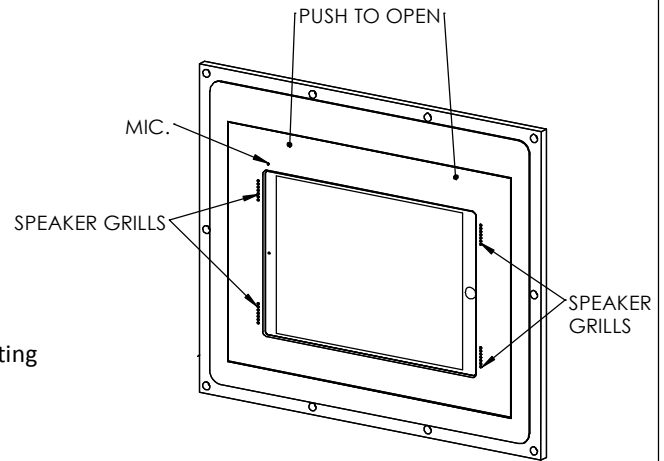
Make Your Wall Smart

WS FOR iPad PRO™ STD - Product description:

The “WS FOR iPad PRO™ STD” is a wall mount for in-wall use of an iPad Pro as a control device for Smart home/office/public institutes. The “WS FOR iPad PRO™ STD” securely mounts the iPad Pro™ while allowing easy access, insertion and removal.

Key features and benefits:

- Flush with the wall.
- iPad mounted horizontally (landscape position)
- The iPad home button remains accessible.
- A right angle audio plug may be connected to the iPad.
- The wall mount contains speaker and mic. grills.
- Paintable with the wall paint in any color and texture.
- Easy to operate. Manual opening/closing for iPad mounting/dismounting by pushing the top side of the iPad tray.
- Standard colors of internal surfaces:
 - back wall and back lid: black;
 - internal surfaces of iPad holding tray: black (custom colors available upon request)
 - External surfaces (front panel) are unpainted. To be painted after installation as part of the wall. The adapter is supplied with a paint masking plug.
- Power supply via standard iPad power cord connected to an external power source (within the wall) through the adapter back lid. (power supply and cord are not included)
- Designed to be installed in ½” drywall. Installation of the Wall-Smart adapter is straightforward. Installation process is similar to drywall construction procedures. Before installation, read Wall-Smart installation instruction 10-04-00101-INS in <http://www.wall-smart.com/faq>
- Designed for the use with iPad Pro™ (iPad not included)



Key properties:

- Dimensions (W/H/D): 482.6mm (19")/ 411.5mm (16.2")/ 48.3mm (1.9")
- Power Supply: None (manual adapter).
- Weight: 4.5Kg, 10lbs
- Material: Moisture resistant MDF E1

iPad® is a trademark of Apple Inc., registered in the U.S. and other countries.

