



Model: WS FOR IPAD PRO - HIDDEN LOCK  
- WO.GRILLS

Family: WALL-SMART

DWG NO. 10-04-537-SPC

Model No.: 10-01-537

PRODUCT SPEC.

REVISION A

DATE 11/11/2015



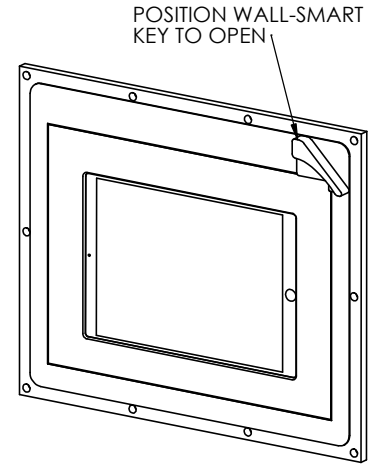
**Make Your Wall Smart**

**WS FOR IPAD PRO - HIDDEN LOCK - WO.GRILLS - Product description:**

The "WS FOR IPAD PRO - HIDDEN LOCK - WO.GRILLS" is a wall mount for in-wall use of an iPad Pro™ as a control device for Smart home/office/public institutes. The "WS FOR IPAD PRO - HIDDEN LOCK - WO.GRILLS" securely mounts the iPad Pro™ while allowing easy access, insertion and removal.

**Key features and benefits:**

- Flush with the wall.
- iPad mounted horizontally (landscape position)
- The iPad home button remains accessible.
- A right angle audio plug may be connected to the iPad.
- Paintable with the wall paint in any color and texture.
- Easy to operate. Electrically locked/unlocked by positioning of the Wall-Smart key over top right door corner (Wall-Smart key included). After unlocking, door manually opened to insert /remove iPad.
- Standard colors of internal surfaces:
  - back wall and back lid: black;
  - internal surfaces of iPad holding tray: black (custom colors available upon request)
  - External surfaces (front panel) are unpainted. To be painted after installation as part of the wall. The adapter is supplied with a paint masking plug.
- iPad Power supply via standard iPad power cord connected to an external power source through the adapter back lid. (power supply and cord are not included)
- Electric lock power supply (12VDC, 0.28A) via power cord attached. (power supply not included)
- Designed to be installed in ½" drywall. Installation of the Wall-Smart adapter is straightforward. Installation process is similar to drywall construction procedures. Before installation, read Wall-Smart installation instruction 10-04-00101-INS in <http://www.wall-smart.com/faq>
- Designed for the use with iPad Pro™ (iPad not included)



**Key properties:**

- Dimensions (W/H/D): 482.6mm (19")/ 411.5mm (16.2")/ 48.3mm (1.9")
- Weight: 4.5Kg, 10lbs
- Material: Moisture resistant MDF E1

iPad® is a trademark of Apple Inc., registered in the U.S. and other countries.

