



Model: WS FOR IPAD PRO RETROFIT HIDDEN COVERED

Family: WALL-SMART

DWG NO. 10-04-570-SPC

Model No.: 10-01-570-BL / -WH

PRODUCT SPEC.

REVISION A

DATE 09/Mar./2016



Make Your Wall Smart

WS FOR IPAD PRO RETROFIT HIDDEN COVERED - Product description:

The “WS FOR IPAD PRO RETROFIT HIDDEN COVERED” is a wall mount for in-wall use of an iPad Pro™ as a control device for Smart home/office/public institutes. The “WS FOR IPAD PRO RETROFIT HIDDEN COVERED” securely mounts the iPad Pro™ while allowing easy access, insertion and removal.

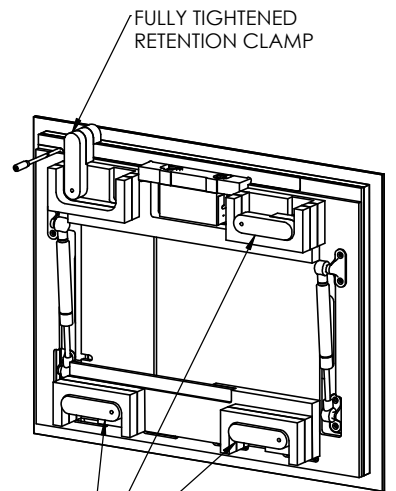
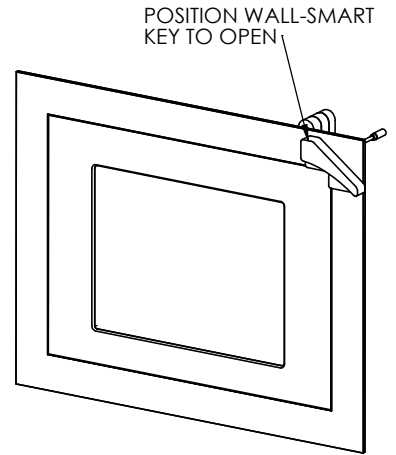
Key features and benefits:

- Nearly flush with the wall (4mm above wall surface).
- iPad mounted horizontally (landscape position)
- The iPad home button covered.
- Wall mount supplied painted. Order P/N 10-01-570-BL for black or P/N 10-01-570-WH for white.
- Easy to operate. Electrically locked/unlocked by positioning of the Wall-Smart key over top right door corner (Wall-Smart key included). After unlocking, door manually opened to insert /remove iPad.
- iPad Power supply via standard iPad power cord connected to an external power source through the adapter back lid. (power supply and cord are not included)
- Electric lock power supply (12VDC, 0.28A) via power cord attached. (power supply not included)
- Designed to be installed in 10.2 ~ 30 [0.4” ~ 1.18”] thick wall board. Installation of the Wall-Smart adapter is straight-forward. Cut an opening in the wall board according dimensions below, connect the unit power supply, insert the wall mount in to the wall and screw in the 4 screw rotating the 4 retention latches.
- Designed for the use with iPad Pro™ (iPad not included)

Key properties:

- Dimensions (W/H/D): 490.2mm (19")/ 391.2mm (15.4")/ 80.8mm (3.18")
- Power Supply: None (manual adapter).
- Weight: 4.5Kg, 10lbs
- Material: Moisture resistant MDF E1

iPad® is a trademark of Apple Inc., registered in the U.S. and other countries.



FOLDED RETENTION CLAMPS AS SUPPLIED

