



Model: WS RETROFIT V2 FOR iPad MINI4 BLACK/WHITE

Family: WALL-SMART

DWG NO. 10-04-777-SPC

Model No.: 10-01-777-BL/-WH

PRODUCT SPEC.

REVISION A  
DATE 23/AUG./2017



**Make Your Wall Smart**

**“WS RETROFIT V2 FOR iPad MINI4 BLACK/WHITE” - Product description:**

The “WS RETROFIT V2 FOR iPad MINI4 BLACK/WHITE” is an adapter for in-wall nearly flush retrofit installation of iPad mini® 4. The “WS RETROFIT V2 FOR iPad MINI4 BLACK/WHITE” securely mounts the iPad mini® 4 while allowing easy insertion, removal and operation.

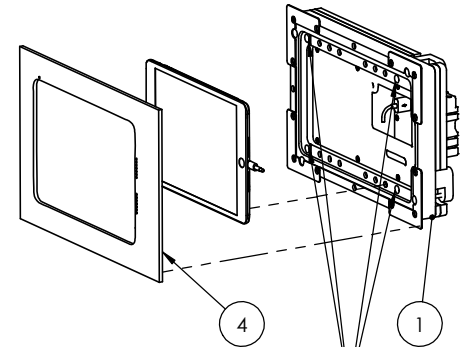
**Key features and benefits:**

- Nearly flush with the wall (4mm [0.16"] thick on-wall bezel).
- Wall mount may be mounted in any orientation.
- Allows easy insertion and removal of the iPad MINI4.
- Wall mount contains depth calibration screws.
- Designed for the use with iPad mini® 4 (by Apple) (iPad is not included).
- Adapter kit contains:
  1. (X1) Wall adapter;
  2. (X2) Wall-Smart rubber pads;
  3. (X1) Wall-Smart Pad Positioning Template;
  4. (X1) Bezel;
- The bezel is supplied painted black (-BL) or white (-WH). The bezel may be custom ordered without paint (-WO)
- The bezel is supplied, by default, with speaker and mic grills. The bezel may be custom ordered without audio grills (add suffix -NG to the part number)

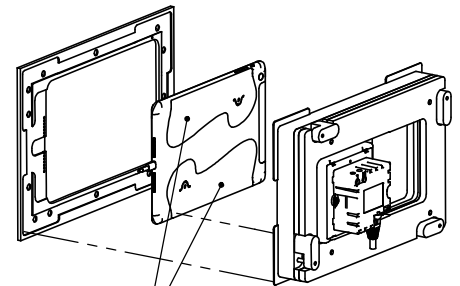
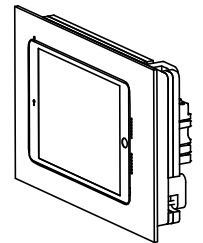
**Key properties:**

- Dimensions: (W/H/D): 306.3mm (12.06")/ 203.9mm (8.03")/ 74.1mm (2.92")
- Power Supply: Wall mount includes POE to USB converter. The installer should connect the wall mount to an IEEE 802.3af POE power source via CAT5/6 cable and RJ45 connector.
- Weight: 2.2Kg, 4.85lbs.
- Material: Moisture resistant MDF

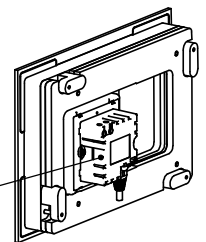
iPad® is a trademark of Apple Inc., registered in the U.S. and other countries.



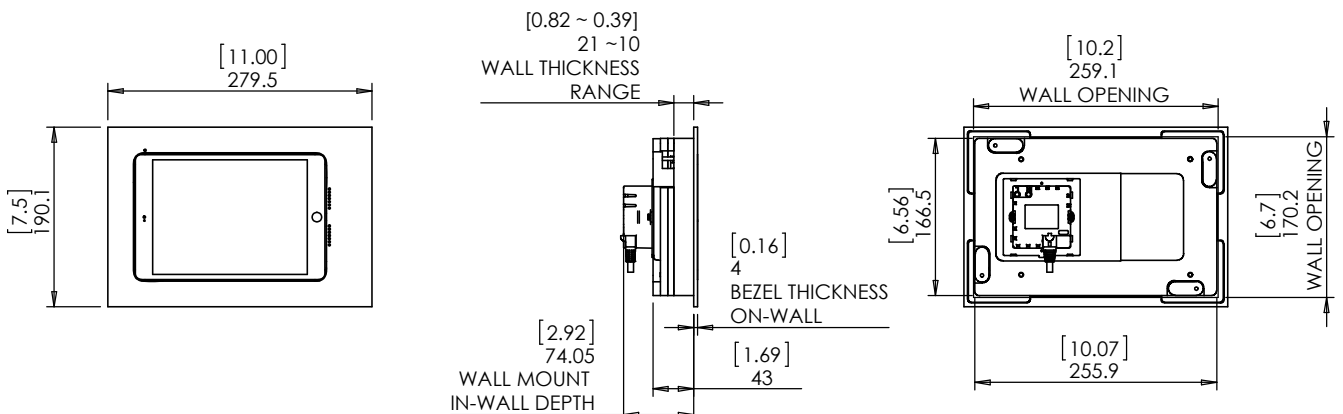
USE DEPTH CALIBRATION SCREWS TO ADJUST iPad POSITION



WALL-SMART RUBBER PADS



POE TO USB CONVERTER





Model: WS RETROFIT V2 FOR iPad MINI4 BLACK/WHITE

Family: WALL-SMART

DWG NO. 10-04-777-SPC

Model No.: 10-01-777-BL/-WH

PRODUCT SPEC.

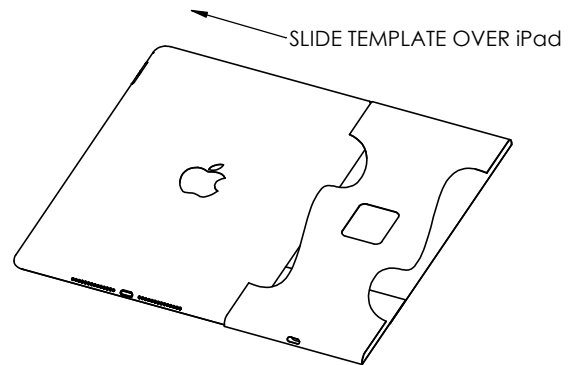
REVISION A

DATE 23/AUG./2017

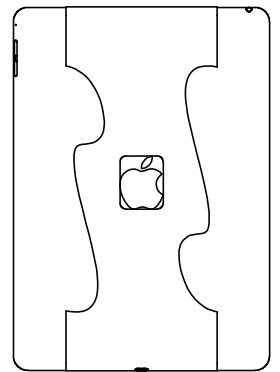


Wall-Smart rubber pads installation:

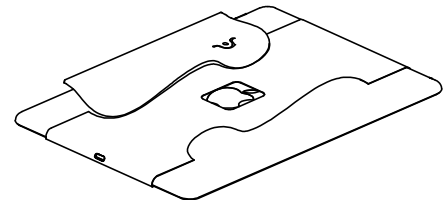
1. Clean iPads back surface.
2. Slide template onto iPad.



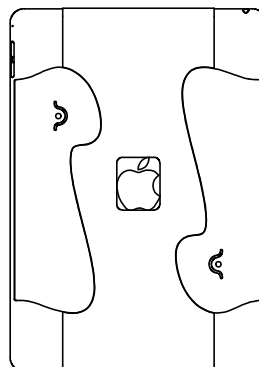
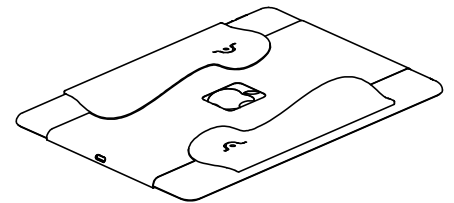
3. Align template cutouts with Apple logo, home button and connector socket.



4. Remove protective tape of a rubber pad back adhesive.
5. Align rubber pad to template while maintaining the position of the template.
6. Adhere the rubber pad to the iPad gradually from template to the iPad edge.



7. Press down from the center of the rubber pad and towards the pad edges to remove air bubbles.
8. Push down the edges of the rubber pad to close all gaps.
9. Repeat steps 4-8 for the second rubber pad.
10. Remove the template and wait 6mins before mounting.





Model: WS RETROFIT V2 FOR iPad MINI4 BLACK/WHITE

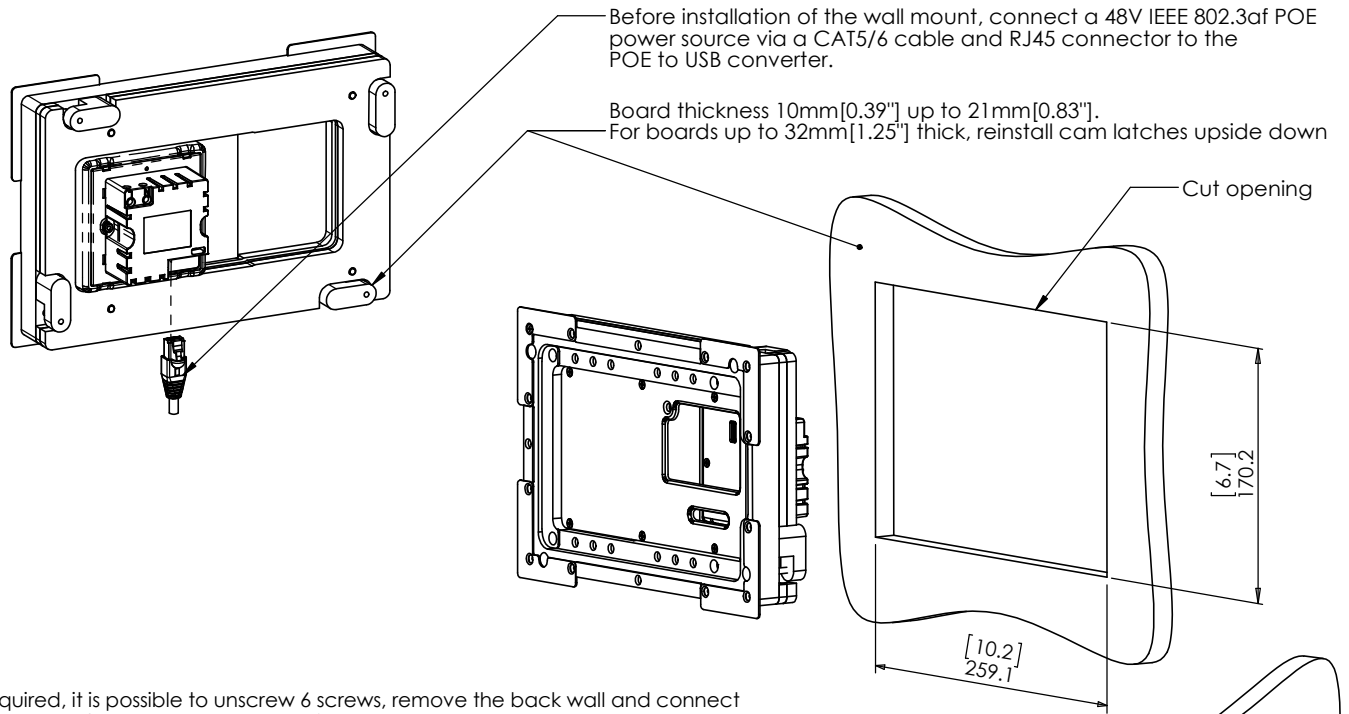
Family: WALL-SMART

DWG NO. 10-04-777-SPC

Model No.: 10-01-777-BL-WH

PRODUCT SPEC.

REVISION A  
DATE 23/AUG./2017



If required, it is possible to unscrew 6 screws, remove the back wall and connect POE cable after the wall mount was installed.

