



Model: WS RETROFIT V2 FOR iPad BLACK/WHITE

Model No.: 10-01-783-BL/-WH

Family: WALL-SMART

DWG NO. 10-04-783-SPC

PRODUCT SPEC.

REVISION A

DATE 23/AUG./2017



Make Your Wall Smart

“WS RETROFIT V2 FOR iPad BLACK/WHITE” - Product description:

The “WS RETROFIT V2 FOR iPad BLACK/WHITE” is an adapter for in-wall nearly flush retrofit installation of iPad.

The “WS RETROFIT V2 FOR iPad BLACK/WHITE” securely mounts the iPad while allowing easy insertion, removal and operation.

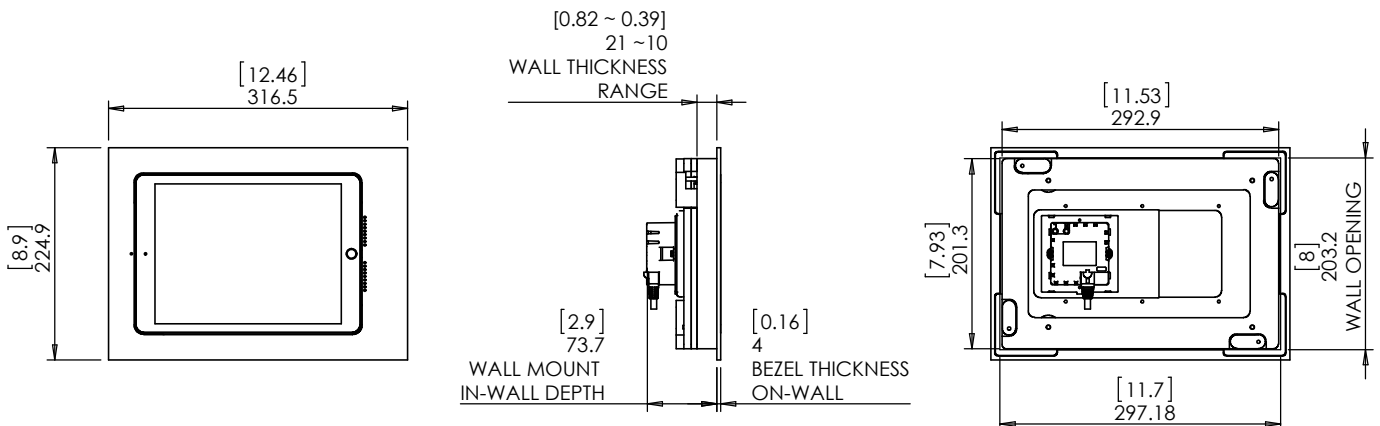
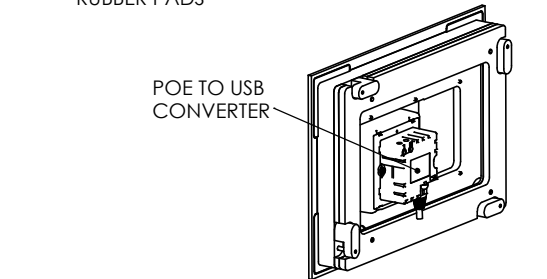
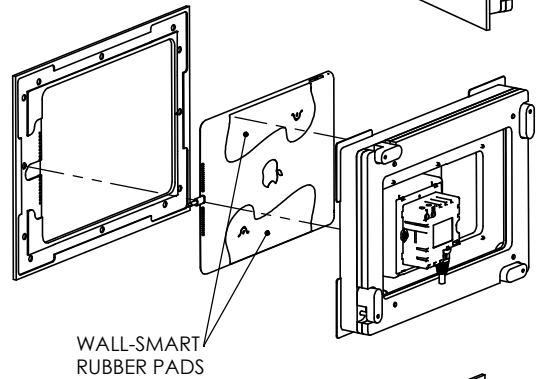
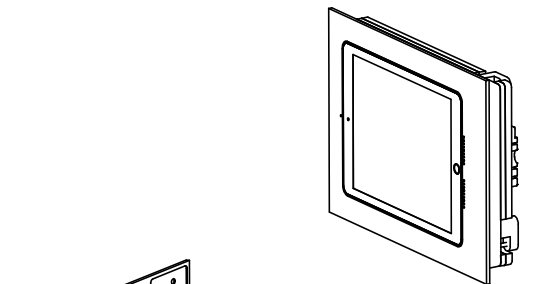
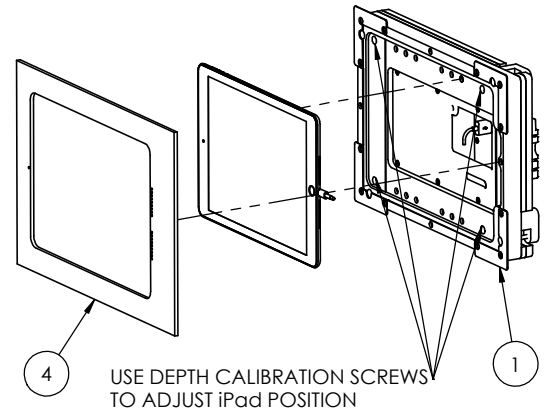
Key features and benefits:

- Nearly flush with the wall (4mm [0.16”] thick on-wall bezel).
- Wall mount may be mounted in any orientation.
- Wall mount contains depth calibration screws.
- Designed for the use with iPad 5th generation (by Apple) (iPad is not included).
- Adapter kit contains:
 1. (X1) Wall adapter;
 2. (X2) Wall-Smart rubber pads;
 3. (X1) Wall-Smart Pad Positioning Template;
 4. (X1) Bezel;
- The bezel is supplied painted black (-BL) or white (-WH). The bezel may be custom ordered without paint (-WO)
- The bezel is supplied, by default, with speaker and mic grills. The bezel may be custom ordered without audio grills (add suffix -NG to the part number)

Key properties:

- Dimensions: (W/H/D): 316.5mm (12.46")/ 224.9mm (8.9")/ 77.7mm (3.06")
- Power Supply: Wall mount includes POE to USB converter. The installer should connect the wall mount to an IEEE 802.3af POE power source via CAT5/6 cable and RJ45 connector.
- Weight: 2.6Kg, 5.72lbs.
- Material: Moisture resistant MDF

iPad® is a trademark of Apple Inc., registered in the U.S. and other countries.





Model: WS RETROFIT V2 FOR iPad BLACK/WHITE

Family: WALL-SMART

DWG NO. 10-04-783-SPC

Model No.: 10-01-783-BL/-WH

PRODUCT SPEC.

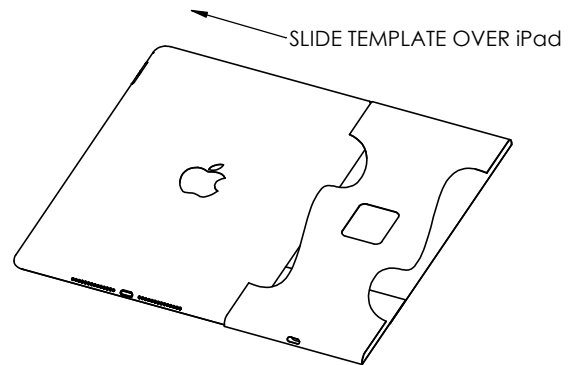
REVISION A

DATE 23/AUG./2017

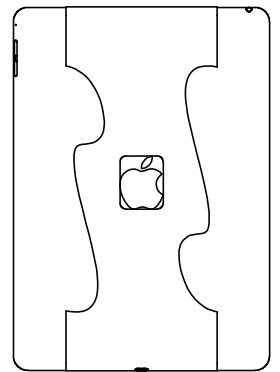


Wall-Smart rubber pads installation:

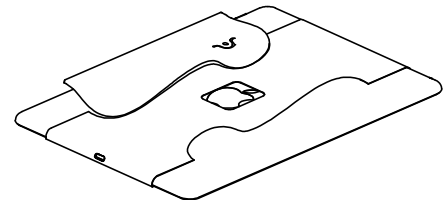
1. Clean iPads back surface.
2. Slide template onto iPad.



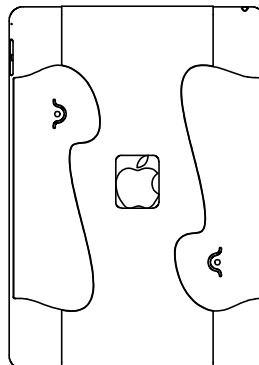
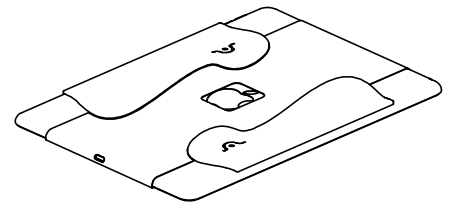
3. Align template cutouts with Apple logo, home button and connector socket.



4. Remove protective tape of a rubber pad back adhesive.
5. Align rubber pad to template while maintaining the position of the template.
6. Adhere the rubber pad to the iPad gradually from template to the iPad edge.



7. Press down from the center of the rubber pad and towards the pad edges to remove air bubbles.
8. Push down the edges of the rubber pad to close all gaps.
9. Repeat steps 4-8 for the second rubber pad.
10. Remove the template and wait 6mins before mounting.





Model: WS RETROFIT V2 FOR iPad BLACK/WHITE

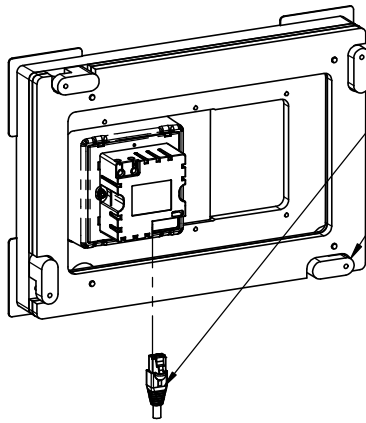
Family: WALL-SMART

DWG NO. 10-04-783-SPC

Model No.: 10-01-783-BL/-WH

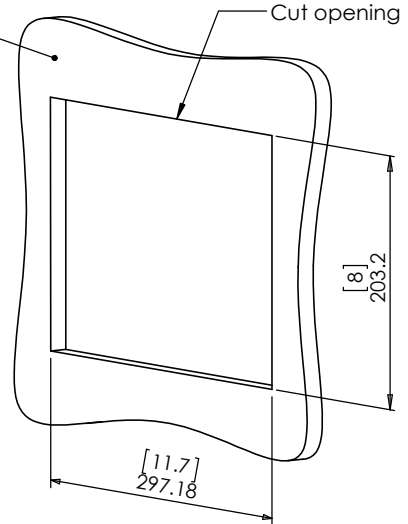
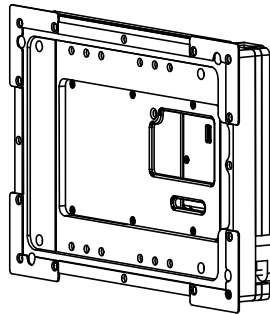
PRODUCT SPEC.

REVISION A
DATE 23/AUG./2017

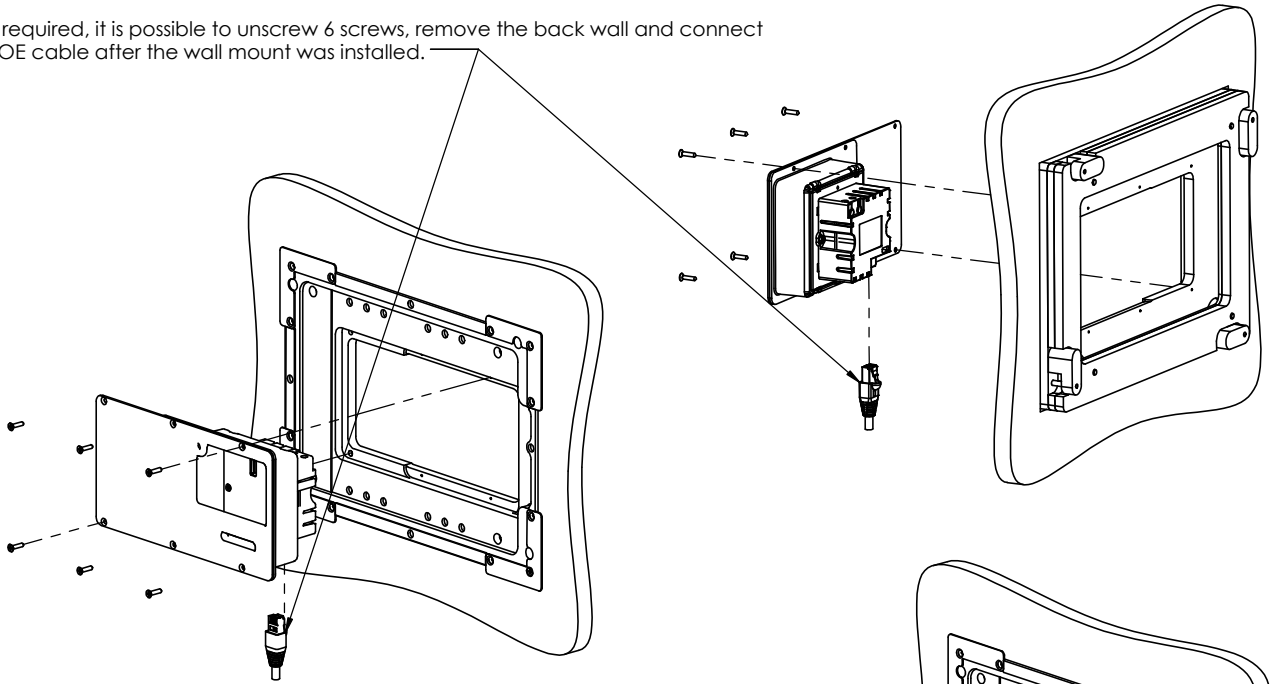


Before installation of the wall mount, connect a 48V IEEE 802.3af POE power source via a CAT5/6 cable and RJ45 connector to the POE to USB converter.

Board thickness 10mm[0.39"] up to 21mm[0.83"].
For boards up to 32mm[1.25"] thick, reinstall cam latches upside down



If required, it is possible to unscrew 6 screws, remove the back wall and connect POE cable after the wall mount was installed.



Connect iPad USB cable to POE to USB converter

Organize the cable in the cable tray

