



NILES®



CM610

6" CEILING MOUNT LOUDSPEAKER



6" Two-Way Ceiling Mount Loudspeaker

- Recessed Light Option
- 6" Polypropylene Woofer
- 13mm Kaladex® Tweeter
- Includes Both Flush Mount MicroPerf™ Grille and Recessed Cloth Grille

SPECIFICATIONS SHEET

6 INCH CEILING MOUNT LOUDSPEAKER

6" Two-Way Loudspeaker

Recessed Light Option

CM610

Stock Number

FG01294



Features

- Integrated woofer/baffle design delivers greater low frequency response by employing a 6" woofer where competitive models of the same outer size employ 5" woofers
- Polypropylene cone is light, strong and well damped to provide "best in class" bass response
- Treated urethane surround increases sensitivity while preserving durability
- 13mm Kaladex® tweeter with fluid cooling provides wide dispersion for clear and detailed high frequencies
- Includes both flush-mount aluminum grille and recessed cloth grille that masquerades as a light fixture

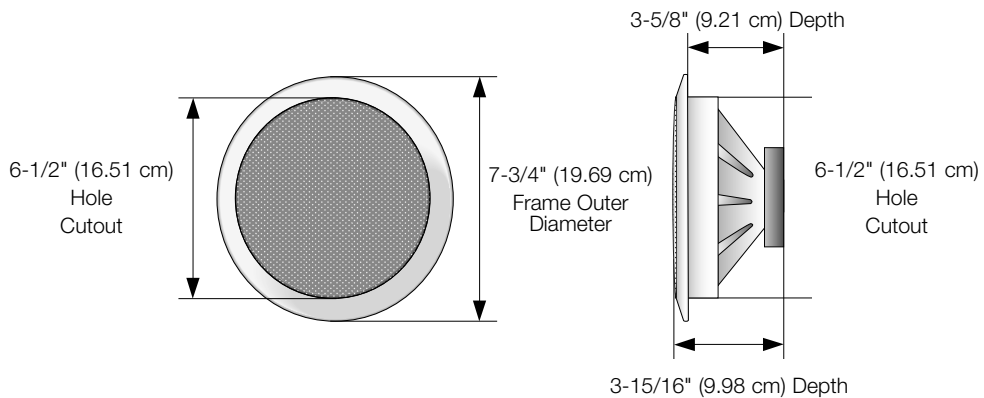
Specifications





- Impedance: 8 ohm nominal; 6 ohm minimum
- Recommended Amplifier Power: 5 to 50 Watts
- Frame Dimensions: 7 3/4 inches (19.69 cm)
- Hole cutout dimensions: 6 1/2 inches (16.51 cm)
- Depth behind ceiling: 3 5/8 inches (9.21 cm)

Warranty: Lifetime Limited



PRODUCT CONSTRUCTION AND ACCESSORIES



Loudspeaker Model		Works With			
Model	Stock Number	Previous Bracket	New Bracket	Metal Enclosure	Hole Cover
CM610	FG01294	 CM76 ² /CM77 ² Bracket Kit FG00335	 CM600 BKT FG01300	 CE 70 FG0942	 CM600 Hole Cover FG01301