



NILES®



CM630

6" CEILING MOUNT LOUDSPEAKER



6" Two-Way Ceiling Mount Loudspeaker with Pivoting Tweeter

- Recessed Light Option
- 6" Polypropylene Woofer
- 1" UltraSilk® Soft-Dome Tweeter
- Includes Both Flush Mount MicroPerf™ Grille and Recessed Cloth Grille

SPECIFICATIONS SHEET

6 INCH CEILING MOUNT LOUDSPEAKER

6" Two-Way Loudspeaker with Pivoting Tweeter

Recessed Light Option

CM630

Stock Number

FG01295



Features

- Integrated woofer/baffle design delivers greater low frequency response by employing a 6" woofer where competitive models of the same outer size employ 5" woofers.
- Polypropylene cone is light, strong and well damped to provide "best in class" bass response
- Butyl rubber surround damps resonance and provides exceptional durability
- 1" joystick type, pivoting UltraSilk® soft-dome tweeter provides for precise aiming of high-frequencies without diffraction
- Includes both flush-mount aluminum grille and recessed cloth grille that masquerades as a light fixture

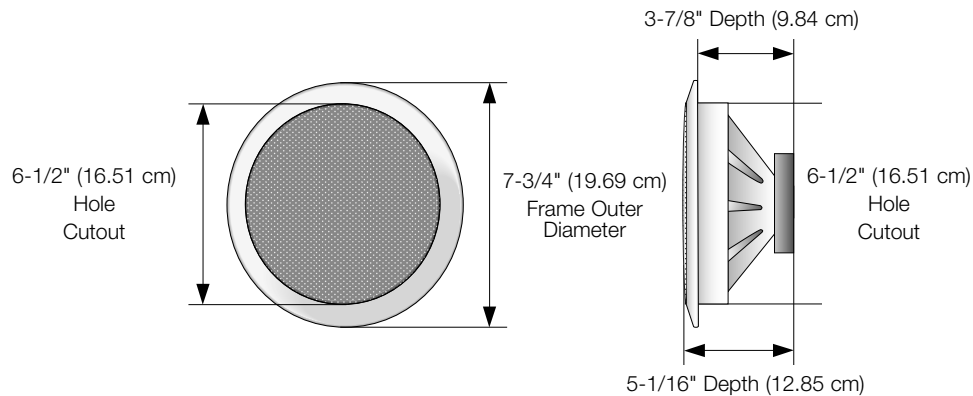
Specifications





- Frequency Response: 65Hz to 20kHz +/-3dB
- Impedance: 8 ohm nominal; 6 ohm minimum
- Recommended Amplifier Power: 10 to 75 Watts
- Frame Dimensions: 7 3/4 inches (19.69 cm)
- Hole cutout dimensions: 6 1/2 inches (16.51 cm)
- Depth behind ceiling: 3 7/8 inches (9.84 cm)

Warranty: Lifetime Limited



PRODUCT CONSTRUCTION AND ACCESSORIES



Loudspeaker Model		Works With			
Model	Stock Number	Previous Bracket	New Bracket	Metal Enclosure	Hole Cover
CM630	FG01295	 CM76 ² /CM77 ² Bracket Kit FG00335	 CM600 BKT FG01300	 CE 70 FG0942	 CM600 Hole Cover FG01301