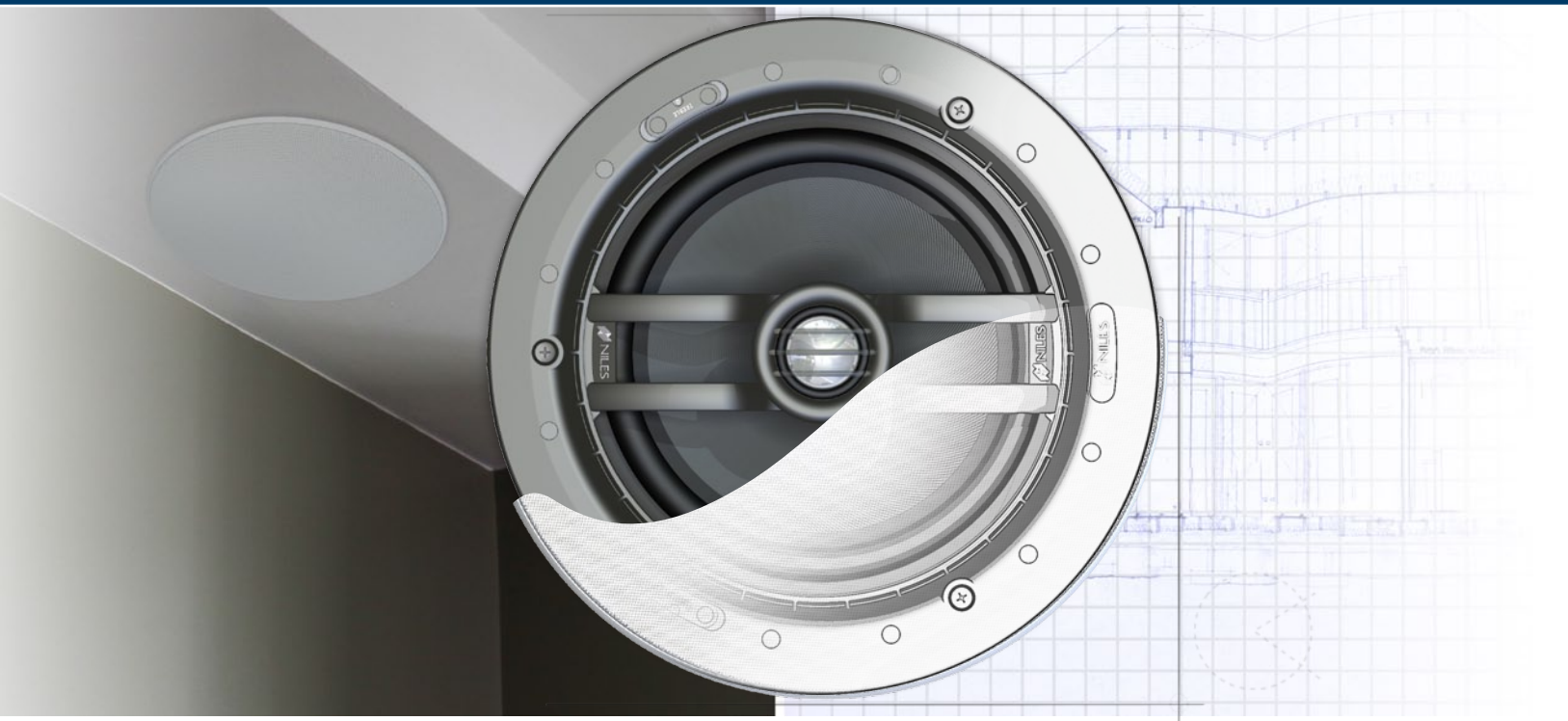




Designer Aesthetics
Audiophile Performance
Installation Ease

HIGH DEFINITION LOUDSPEAKER SPECIFICATIONS SHEET



CM8HD

8" 2-WAY LEFT/CENTER/RIGHT
CEILING-MOUNT LOUDSPEAKER



High Definition loudspeakers are optimal for advanced home theaters and primary listening rooms. 8" Interlaced glass fiber woofer cone and an advanced IMPACT tweeter provide the ultimate in performance and musicality.

FEATURES AND BENEFITS

- **Designer Aesthetics** Magnetically attached MicroThin™ speaker grilles ensure a clean, virtually invisible appearance that blends with the room's aesthetics. Optional square grilles provide added design flexibility.
- **Superior Sound Quality** Precision tuned and voiced fixed woofer ceiling-mount loudspeakers provide graduated performance for all types of applications. Whether you are listening to background talk radio or a complete orchestra, Niles CM series delivers optimal performance and reliability.
- **Installation Ease** Three patent-pending spring tensioned mounting clamps permit quick installation and compensate for uneven mounting surfaces and varied environmental conditions. Weather-resistant construction enables installation in moist areas, such as bathrooms or outdoors under eaves.
- **Install With Confidence** The best-built loudspeakers deserve the best protection—the Niles Lifetime Limited Warranty.

2-WAY CEILING-MOUNT LOUDSPEAKERS

CM8HD



8" 2-Way Left/Center/Right High Definition Ceiling-Mount Loudspeaker

For advanced home theaters and primary listening rooms



Packaged Individually with Round MicroThin™ Grille

Stock Number
FG01663

RELATED PRODUCTS	
	SG8C 8" Square Loudspeaker Grille Stock Number: FG01646
	NCB8C 8" New Construction Bracket Stock Number: FG01648

FEATURES

- 8" IMPACT (Improved Aluminum Ceramic Technology) woofer cone with curvilinear profile and extended pole provides natural, flat response
- 1" nano-coated IMPACT dome tweeter utilizes a vapor deposited coating to move any ringing frequencies outside the range of hearing for ultra-detailed high frequencies
- Butyl rubber surround damps resonance and provides exceptional durability
- Proprietary bridge-mounted tweeter pivot mechanism focuses the high frequency sound in any direction up to 20° without diffraction
- Three-position tweeter level control for precise matching to room acoustics
- Magnetically attached, rust-resistant grille covers install quickly and provide a low profile look
- Weather resistant construction reduces installation limitations and provides unique solutions in moist environments like bathrooms or outdoors under eaves
- Patent-pending spring tensioned mounting clamps permit quick installation and compensate for uneven mounting surfaces and varied environmental conditions

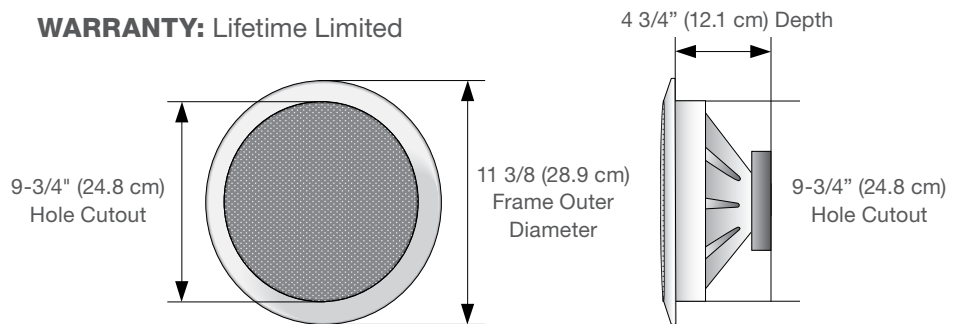
SPECIFICATIONS

- Frequency Response: 48Hz to 21kHz +/-3dB
- Impedance: 8 ohm nominal; 6 ohm minimum
- Recommended Amplifier Power: 10 to 160 Watts

DIMENSIONS

- Frame Dimensions: 11 3/8 inches (28.9 cm)
- Hole cutout dimensions: 9 3/4 inches (24.8 cm)
- Depth behind ceiling (5/8" drywall): 4 1/8" (10.5 cm)
- Shipping Weight: 6.7 lbs (3 kg)

WARRANTY: Lifetime Limited



BLENDED HIGH FIDELITY AND ARCHITECTURE®



1-800-BUY-HIFI - www.nilesaudio.com

©2011 The AVC Group, LLC. All Rights Reserved. Niles, the Niles logo and Blending High Fidelity and Architecture are registered trademarks of The AVC Group, LLC. MicroThin is a trademark of The AVC Group, LLC. All other trademarks are the property of their respective owners. We reserve the right to change features, descriptions, and/or specifications at any time without notice. CS0327A